

FINISH: P/C HAMMER GREY

AP ASSOCIATED PROJECTS COMMERCIAL BUILDERS,
PROJECT MANAGERS,
PLANNERS & DESIGNERS

T 03 8787 3000 F 03 8787 3025
48-58 Cyber Loop, Dandenong South VIC 3175

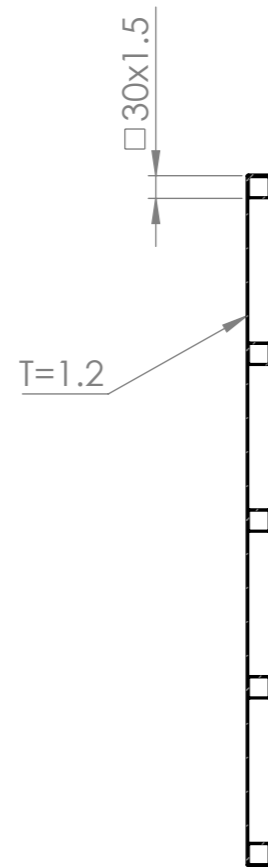
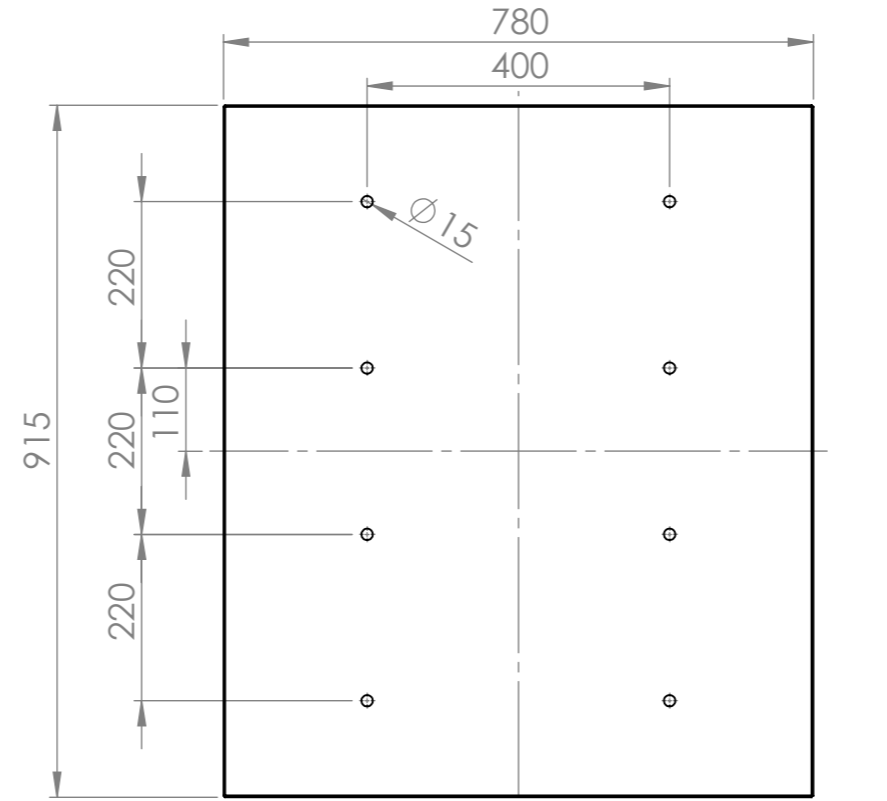
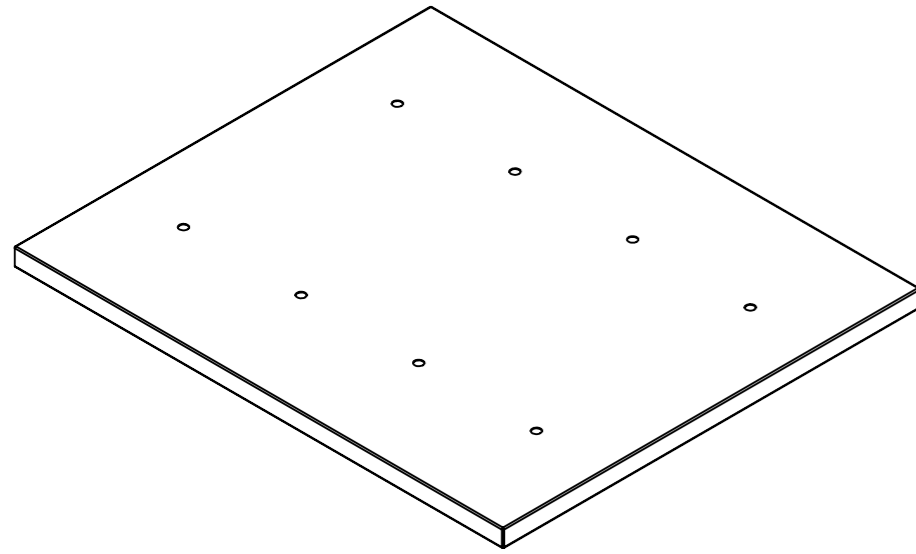
Rev	Date	Description

ALL DIMENSIONS IN (mm)
UNLESS OTHERWISE SPECIFIED
BREAK ALL SHARP EDGES

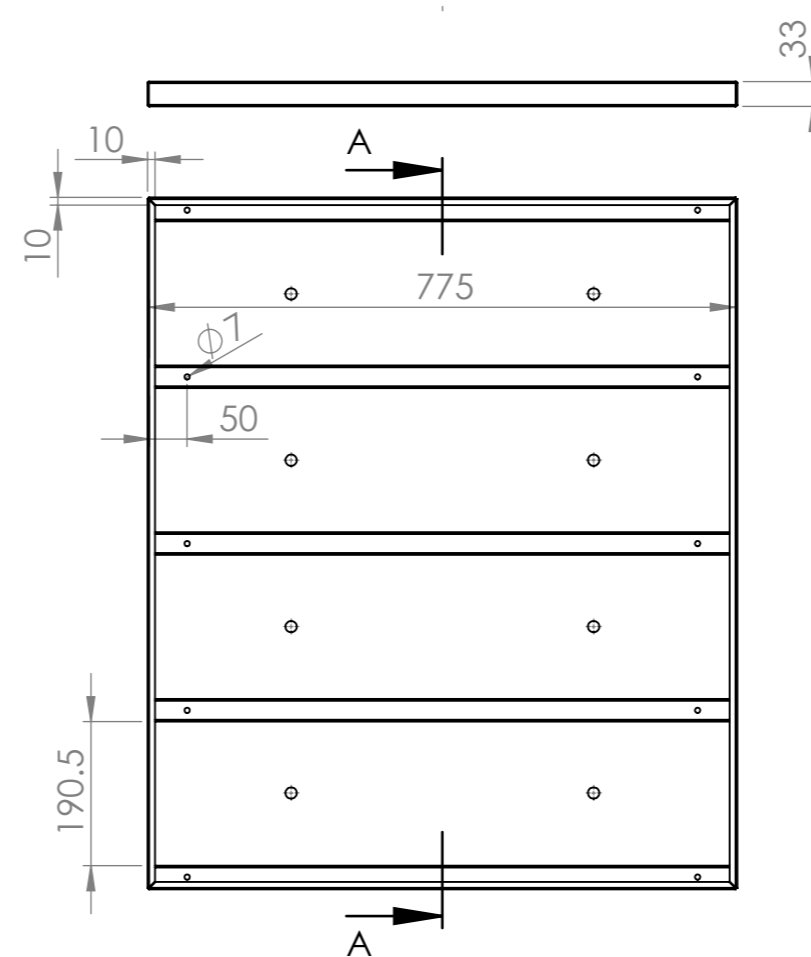
TOLERANCES
(BEFORE PAINTING
& AFTER PLATING)
X ± 1.00
X.X ± 0.50
X.XX ± 0.10
ANGLES ± 0.5°

A01- RENDER
CLIENT: RFA
PROJ. NO.: TBA
PART NO.: --
Revision --
Page 1

HEAVY DUTY SHELF W915 x D780 x T33 FOR 838 RACK		
PRODUCT CODE: RFA6181		
Date:	27/10/2023	DO NOT SCALE
Drawn by	PS	
Checked by	--	
		Scale@A3 1:10



SECTION A-A



Rev	Date	Description

ALL DIMENSIONS IN (mm)
UNLESS OTHERWISE SPECIFIED
BREAK ALL SHARP EDGES

TOLERANCES
(BEFORE PAINTING
& AFTER PLATING)
X ± 1.00
X.X ± 0.50
X.XX ± 0.10
ANGLES ± 0.5°

A02- DIMENSIONS

CLIENT: RFA
PROJ. NO.: TBA
PART NO.: --
Revision --
Page 2

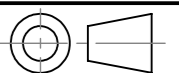
HEAVY DUTY SHELF
W915 x D780 x T33
FOR 838 RACK

PRODUCT CODE: **RFA6181**

Date: 27/10/2023

Drawn by PS

Checked by --



DO NOT SCALE

Scale@A3 1:10