



FINISH: P/C MATTE BLACK

AP ASSOCIATED PROJECTS COMMERCIAL BUILDERS,
PROJECT MANAGERS,
PLANNERS & DESIGNERS

T 03 8787 3000 F 03 8787 3025
48-58 Cyber Loop, Dandenong South VIC 3175

Rev	Date	Description

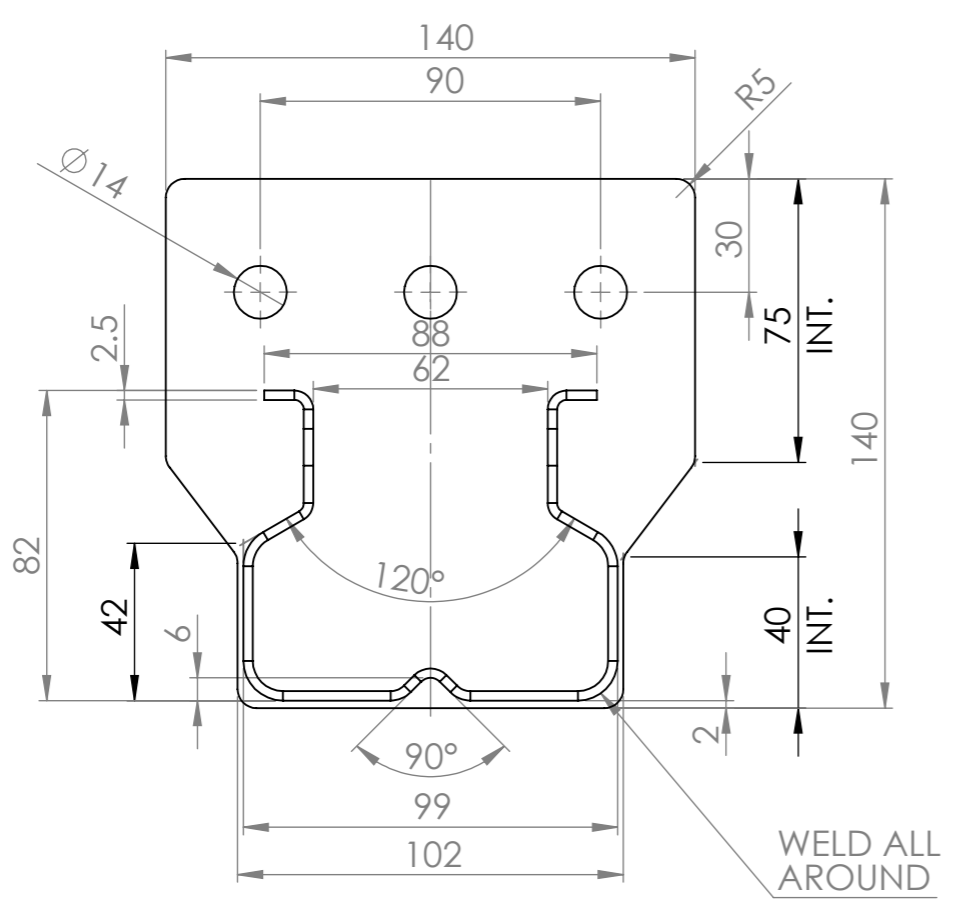
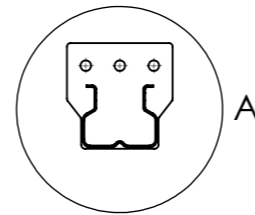
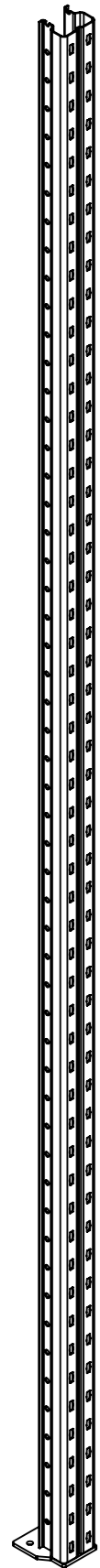
ALL DIMENSIONS IN (mm)
UNLESS OTHERWISE SPECIFIED
BREAK ALL SHARP EDGES

TOLERANCES
(BEFORE PAINTING
& AFTER PLATING)
X ± 1.00
X.X ± 0.50
X.XX ± 0.10
ANGLES ± 0.5°

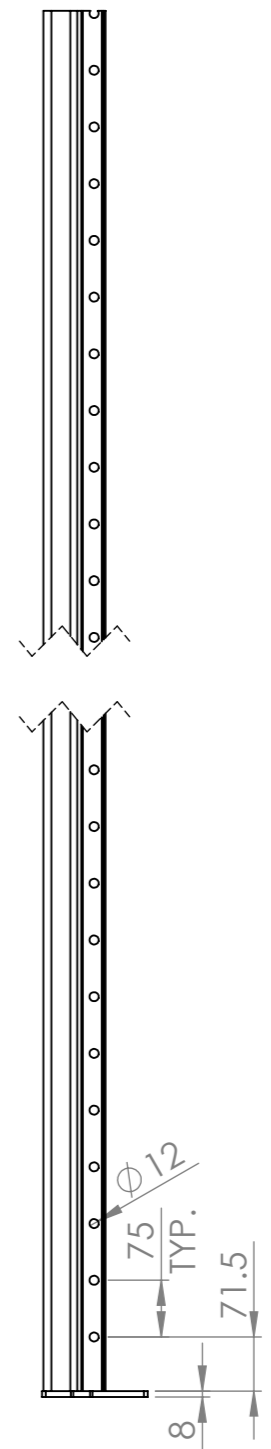
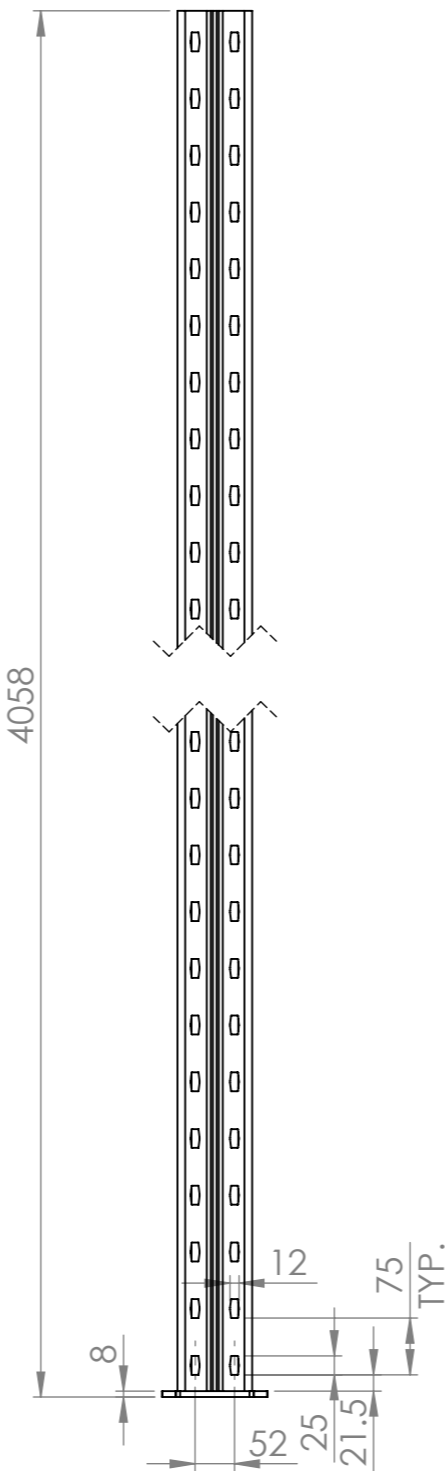
A01- RENDER
CLIENT: RFA
PROJ. NO.: TBA
PART NO.: --
Revision --
Page 1

4050mm(H) HEAVY DUTY PALLET POST UPRIGHT

-		-	
PRODUCT CODE: RFA6141			
Date:	27/09/2023	DO NOT SCALE	
Drawn by	PS	Scale@A3 1:20	
Checked by	--		



DETAIL A
SCALE 1 : 2



AP ASSOCIATED PROJECTS COMMERCIAL BUILDERS,
PROJECT MANAGERS,
PLANNERS & DESIGNERS

T 03 8787 3000 F 03 8787 3025
48-58 Cyber Loop, Dandenong South VIC 3175

Rev	Date	Description

ALL DIMENSIONS IN (mm)
UNLESS OTHERWISE SPECIFIED
BREAK ALL SHARP EDGES

TOLERANCES
(BEFORE PAINTING
& AFTER PLATING)
X ± 1.00
X.X ± 0.50
X.XX ± 0.10
ANGLES ± 0.5°

A02- CLIENT
CLIENT: RFA
PROJ. NO.: TBA
PART NO.: --
Revision --
Page 2

4050mm(H) HEAVY DUTY PALLET POST UPRIGHT		
PRODUCT CODE: RFA6141		
Date:	27/09/2023	DO NOT SCALE
Drawn by	PS	
Checked by	--	
Scale@A3		1:10