

FINISH: P/C MATTE BLACK

AP ASSOCIATED PROJECTS COMMERCIAL BUILDERS,
PROJECT MANAGERS,
PLANNERS & DESIGNERS

T 03 8787 3000 F 03 8787 3025
48-58 Cyber Loop, Dandenong South VIC 3175

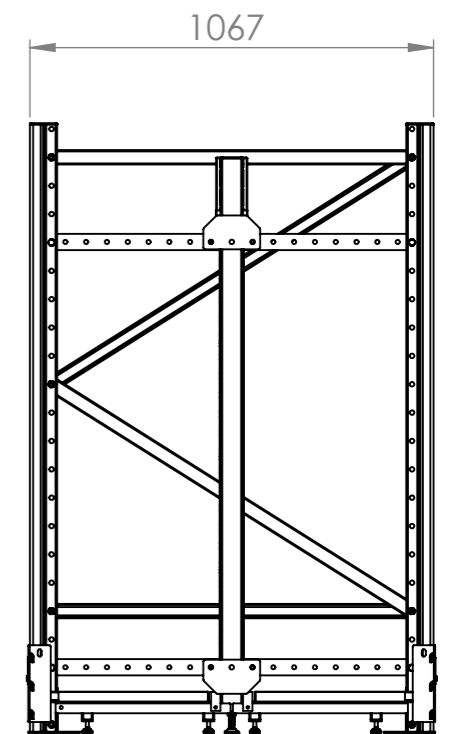
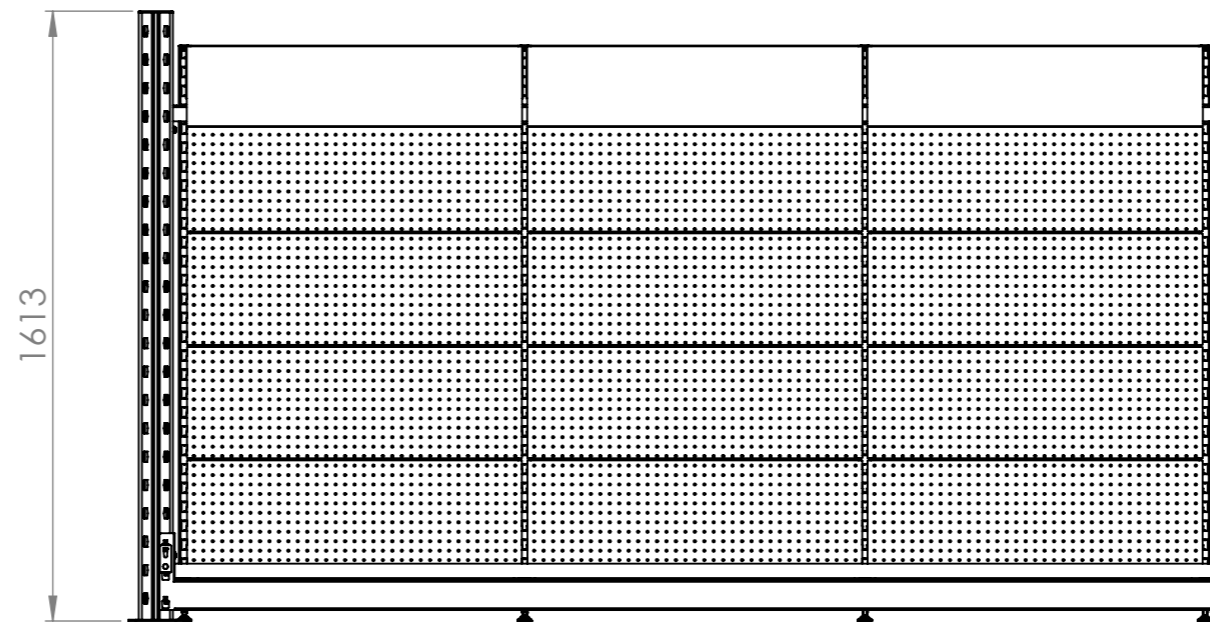
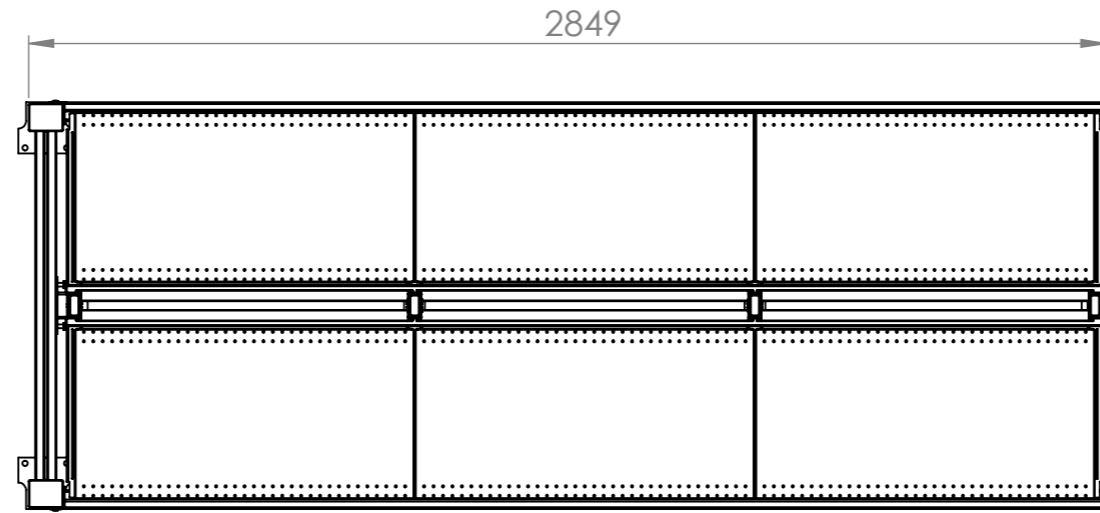
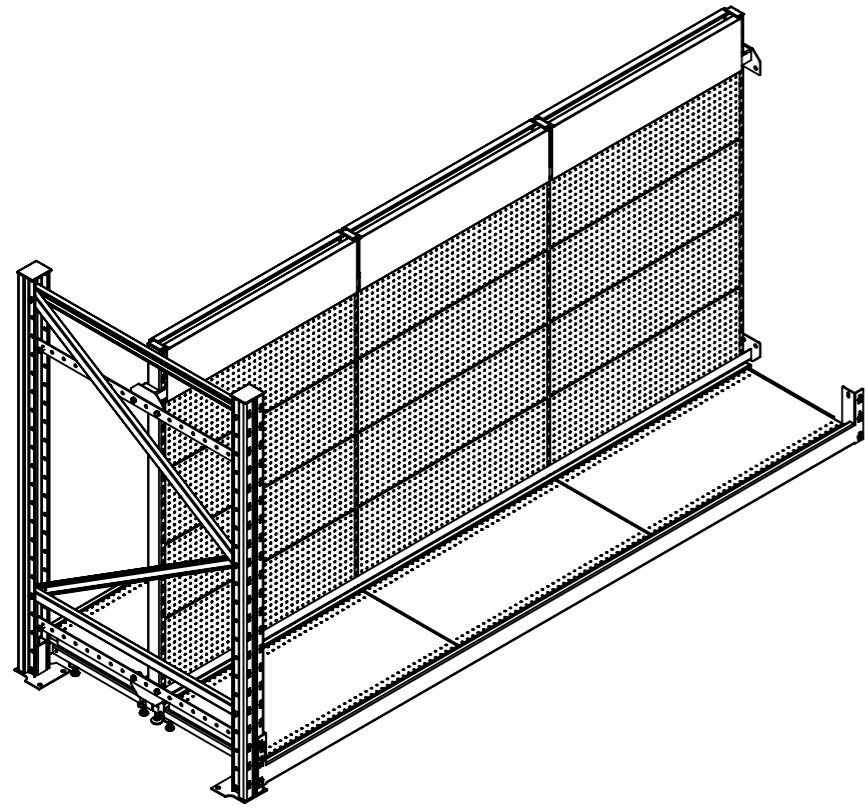
Rev	Date	Description

ALL DIMENSIONS IN (mm)
UNLESS OTHERWISE SPECIFIED
BREAK ALL SHARP EDGES

TOLERANCES
(BEFORE PAINTING
& AFTER PLATING)
X ± 1.00
X.X ± 0.50
X.XX ± 0.10
ANGLES ± 0.5°

A01- RENDER
CLIENT: RFA
PROJ. NO.: TBA
PART NO.: --
Revision --
Page 1

HEAVY DUTY GONDOLA W2760 x H1600 x D1067 ADD ON BAY		
PRODUCT CODE: RFA6087	Date: 18/07/2024	
Drawn by PS	Checked by --	DO NOT SCALE
		Scale@A3 1:20

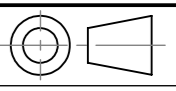


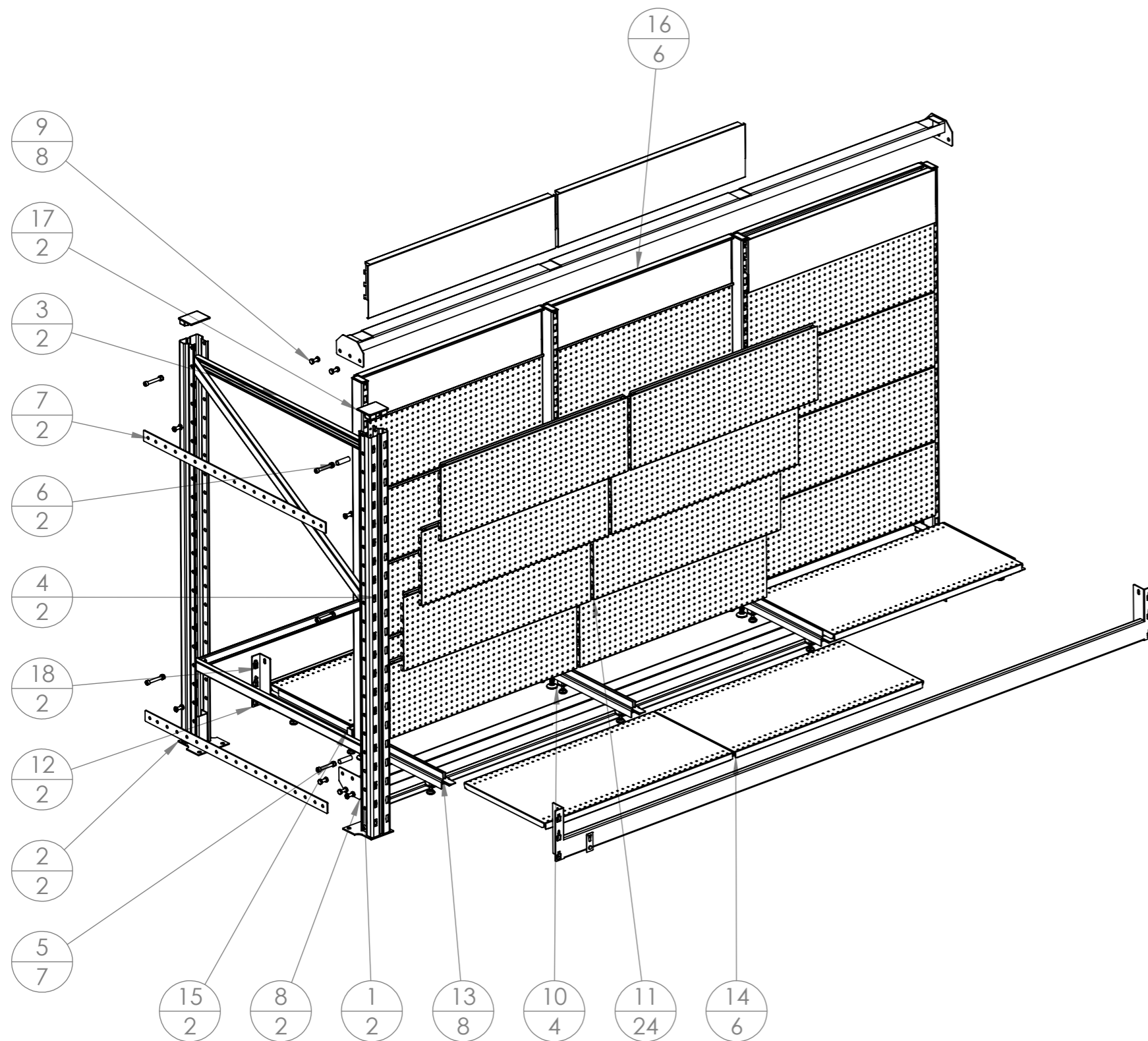
Rev	Date	Description

ALL DIMENSIONS IN (mm)
 UNLESS OTHERWISE SPECIFIED
 BREAK ALL SHARP EDGES

 TOLERANCES
 (BEFORE PAINTING
 & AFTER PLATING)
 X ± 1.00
 X.X ± 0.50
 X.XX ± 0.10
 ANGLES ± 0.5°

A02- DIMENSIONS
 CLIENT: RFA
 PROJ. NO.: TBA
 PART NO.: --
 Revision --
 Page 2

HEAVY DUTY GONDOLA W2760 x H1600 x D1067 ADD ON BAY		 DO NOT SCALE
PRODUCT CODE: RFA6087	Date: 18/07/2024	
Drawn by PS	Checked by --	Scale@A3 1:20



ITEM NO.	PartNo	DESCRIPTION	QTY.
1	RFA6140	1600mm(H) PALLET RACK UPRIGHT-POST	2
2	RFA6105	FOOT FOR PALLET RACK UPRIGHT	2
3	RFA6108	1067mm(D) RACK - HORIZONTAL BRACE	2
4	RFA6109	1067mm(D) RACK - DIAGONAL BRACE	2
5	RFA6114	M10x65mm BOLT - FOR BRACING	7
6	RFA6115	M10 SPACER FOR BOLT	2
7	RFA6118	1067mm(D) ADJUSTABLE HOLE BAR	2
8	RFA6121	2800mm(W) MID PANEL CHANNEL	2
9	RFA6116	M10x30mm NUT AND BOLT SET	8
10	RFA6122	H1600 MID PANEL POST	4
11	RFA2307	W900 xH300 CLIP IN PANEL	24
12	RFA6035	2760mm(W) x 80mm(H) STEP BEAM REVERSE LUG	2
13	RFA6125	450mm(D) STRUT BAR	8
14	RFA6127	900mm(W) x 450mm(D) STEEL SHELF	6
15	RFA6132	2760mm(W) DROP IN BACK BAR	2
16	RFA6137	W900 SIGNAGE CLIPPER PANEL	6
17	RFA6139	PLASTIC CAP - FOR TOP OF UPRIGHT	2
18	RFA6036	SAFETY PIN	2

Rev	Date	Description

ALL DIMENSIONS IN (mm)
 UNLESS OTHERWISE SPECIFIED
 BREAK ALL SHARP EDGES

TOLERANCES
 (BEFORE PAINTING
 & AFTER PLATING)
 X ± 1.00
 X.X ± 0.50
 X.XX ± 0.10
 ANGLES ± 0.5°

A03- EXPLODED
 CLIENT: RFA
 PROJ. NO.: TBA
 PART NO.: --
 Revision --
 Page 3

HEAVY DUTY GONDOLA W2760 x H1600 x D1067 ADD ON BAY		
PRODUCT CODE: RFA6087		
Date:	18/07/2024	DO NOT SCALE
Drawn by	PS	
Checked by	--	
Scale@A3		1:20