

FINISH: P/C MATTE BLACK

AP ASSOCIATED PROJECTS COMMERCIAL BUILDERS,
PROJECT MANAGERS,
PLANNERS & DESIGNERS

T 03 8787 3000 F 03 8787 3025
48-58 Cyber Loop, Dandenong South VIC 3175

| Rev | Date | Description |
|-----|------|-------------|
| | | |
| | | |
| | | |
| | | |

ALL DIMENSIONS IN (mm)
UNLESS OTHERWISE SPECIFIED
BREAK ALL SHARP EDGES

TOLERANCES
(BEFORE PAINTING
& AFTER PLATING)
X ± 1.00
X.X ± 0.50
X.XX ± 0.10
ANGLES ± 0.5°

A01- RENDER

CLIENT: RFA

PROJ. NO.: TBA

PART NO.: --

Revision --

Page 1

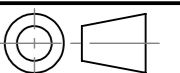
1067mm(D)
GONDOLA END PERFORATED PANEL

PRODUCT CODE: **RFA6079**

Date: 3/10/2023

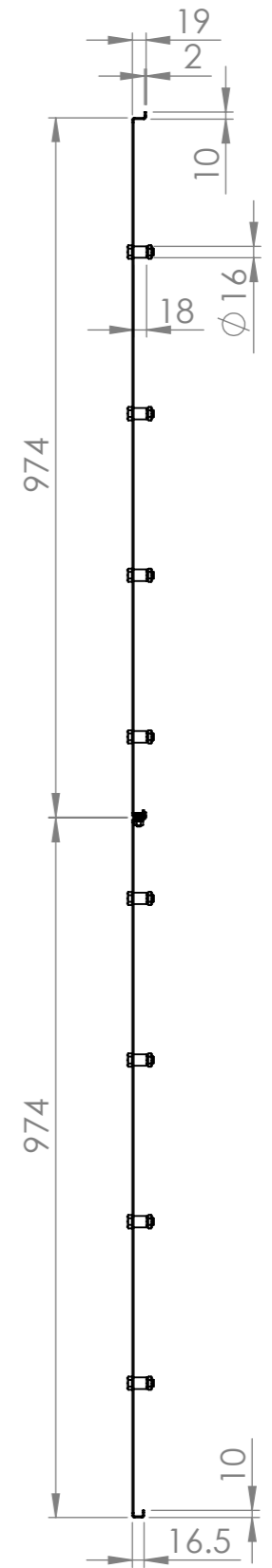
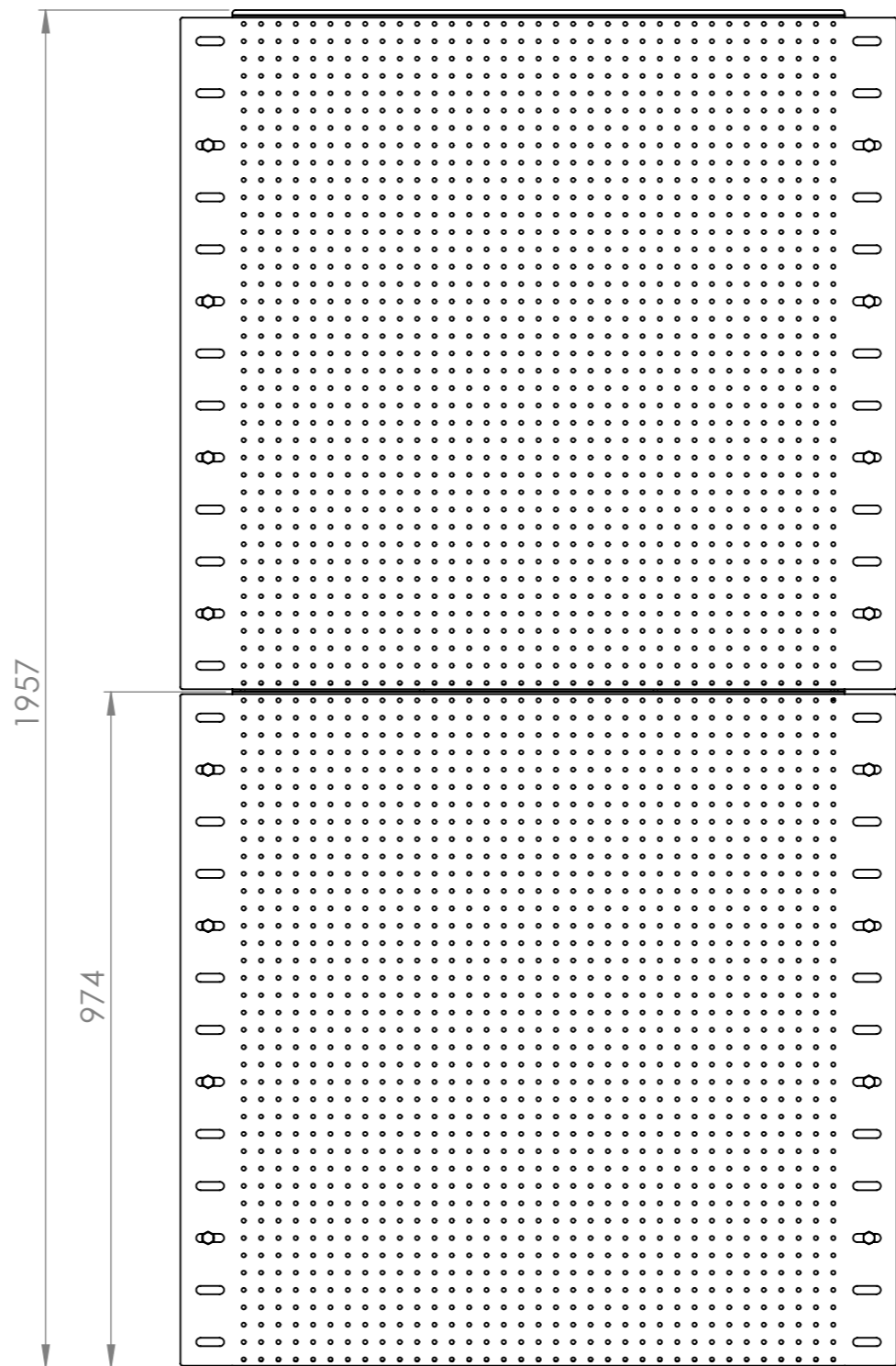
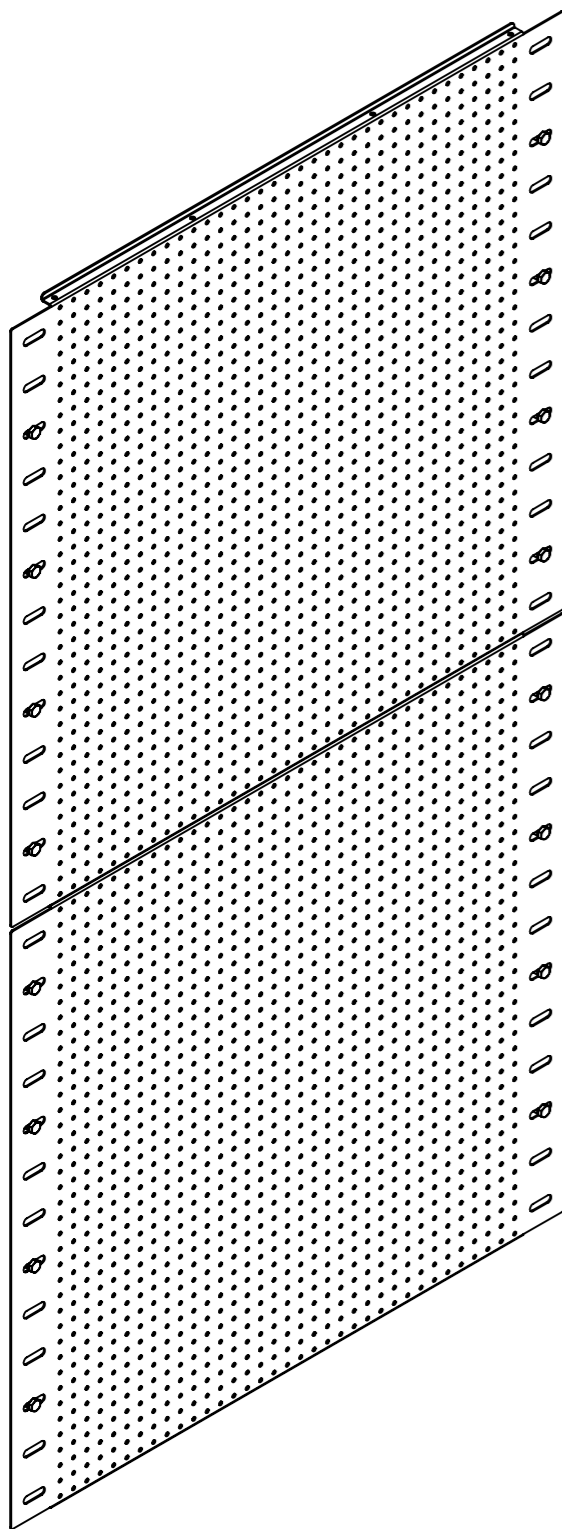
Drawn by PS

Checked by --



DO NOT SCALE

Scale@A3 1:20



AP ASSOCIATED PROJECTS COMMERCIAL BUILDERS,
PROJECT MANAGERS,
PLANNERS & DESIGNERS

T 03 8787 3000 F 03 8787 3025
48-58 Cyber Loop, Dandenong South VIC 3175

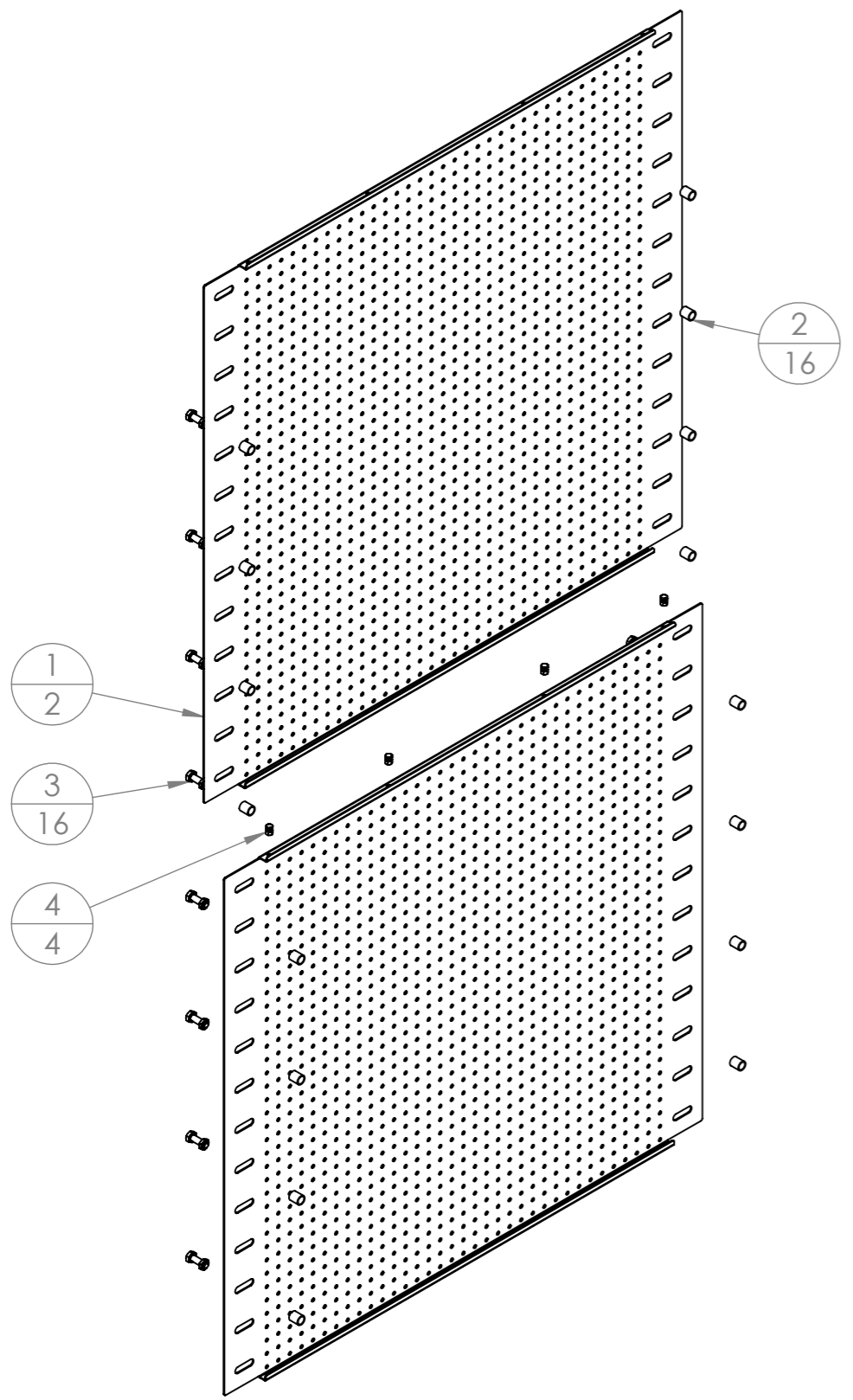
| Rev | Date | Description |
|-----|------|-------------|
| | | |
| | | |
| | | |

ALL DIMENSIONS IN (mm)
UNLESS OTHERWISE SPECIFIED
BREAK ALL SHARP EDGES

TOLERANCES
(BEFORE PAINTING
& AFTER PLATING)
X ± 1.00
X.X ± 0.50
X.XX ± 0.10
ANGLES ± 0.5°

A02- DIMENSIONS
CLIENT: RFA
PROJ. NO.: TBA
PART NO.: --
Revision --
Page 2

| | | |
|---|-----------|---------------|
| 1067mm(D) GONDOLA END PERFORATED PANEL | | |
| PRODUCT CODE: RFA6079 | | |
| Date: | 3/10/2023 | DO NOT SCALE |
| Drawn by | PS | |
| Checked by | -- | |
| | | Scale@A3 1:10 |



| ITEM NO. | PartNo | DESCRIPTION | QTY. |
|----------|---------|--|------|
| 1 | RFA6151 | 1067mm(D) GONDOLA END PERFORATED PANEL | 2 |
| 2 | RFA6153 | 18mm(D) SPACER | 16 |
| 3 | RFA6116 | M10x30mm NUT AND BOLT SET | 16 |
| 4 | RFA6154 | M6x12mm NUT AND BOLT SET | 4 |

AP ASSOCIATED PROJECTS COMMERCIAL BUILDERS, PROJECT MANAGERS, PLANNERS & DESIGNERS
 T 03 8787 3000 F 03 8787 3025
 48-58 Cyber Loop, Dandenong South VIC 3175

| Rev | Date | Description |
|-----|------|-------------|
| | | |
| | | |
| | | |

ALL DIMENSIONS IN (mm)
 UNLESS OTHERWISE SPECIFIED
 BREAK ALL SHARP EDGES

TOLERANCES
 (BEFORE PAINTING
 & AFTER PLATING)
 X ± 1.00
 X.X ± 0.50
 X.XX ± 0.10
 ANGLES ± 0.5°

A03- EXPLODED
 CLIENT: RFA
 PROJ. NO.: TBA
 PART NO.: --
 Revision --
 Page 3

1067mm(D)
 GONDOLA END PERFORATED PANEL

PRODUCT CODE: **RFA6079**

Date: 3/10/2023
 Drawn by PS
 Checked by --

DO NOT SCALE
 Scale@A3 1:10