

FINISH: P/C MATTE BLACK

**AP ASSOCIATED PROJECTS** COMMERCIAL BUILDERS,  
PROJECT MANAGERS,  
PLANNERS & DESIGNERS

T 03 8787 3000 F 03 8787 3025  
48-58 Cyber Loop, Dandenong South VIC 3175

Rev	Date	Description

ALL DIMENSIONS IN (mm)  
UNLESS OTHERWISE SPECIFIED  
BREAK ALL SHARP EDGES

TOLERANCES  
(BEFORE PAINTING  
& AFTER PLATING)  
X ± 1.00  
X.X ± 0.50  
X.XX ± 0.10  
ANGLES ± 0.5°

A01- RENDER

CLIENT: RFA

PROJ. NO.: TBA

PART NO.: --

Revision --

Page 1

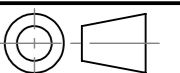
2760mm(W) x 1220mm(D) -600mm  
MID PANEL SET

PRODUCT CODE: **RFA6067**

Date: 2/10/2023

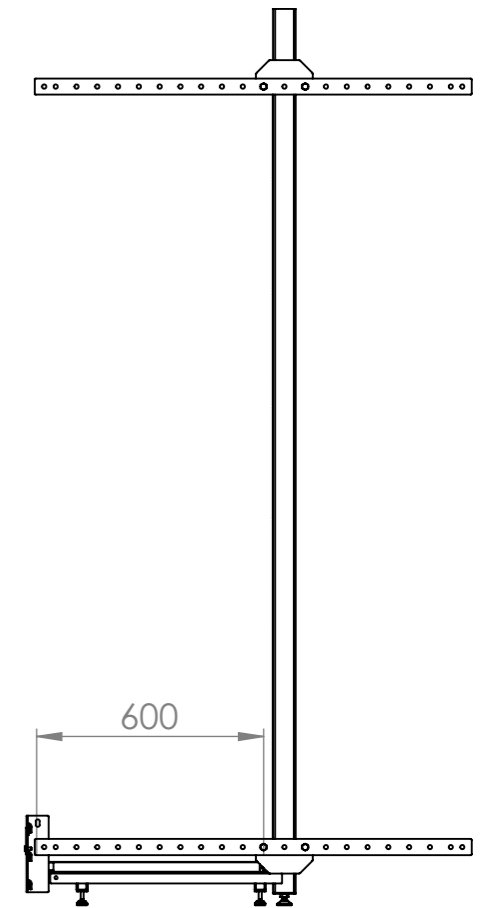
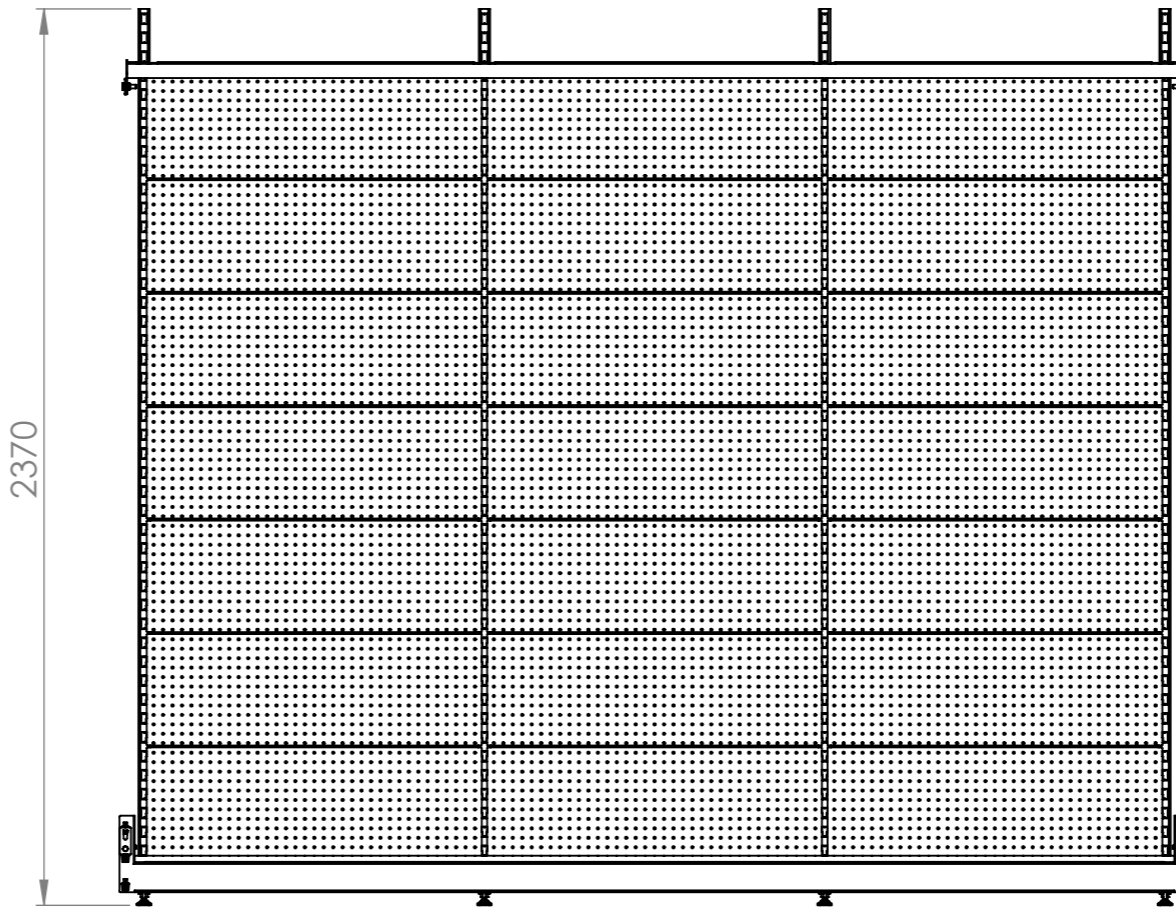
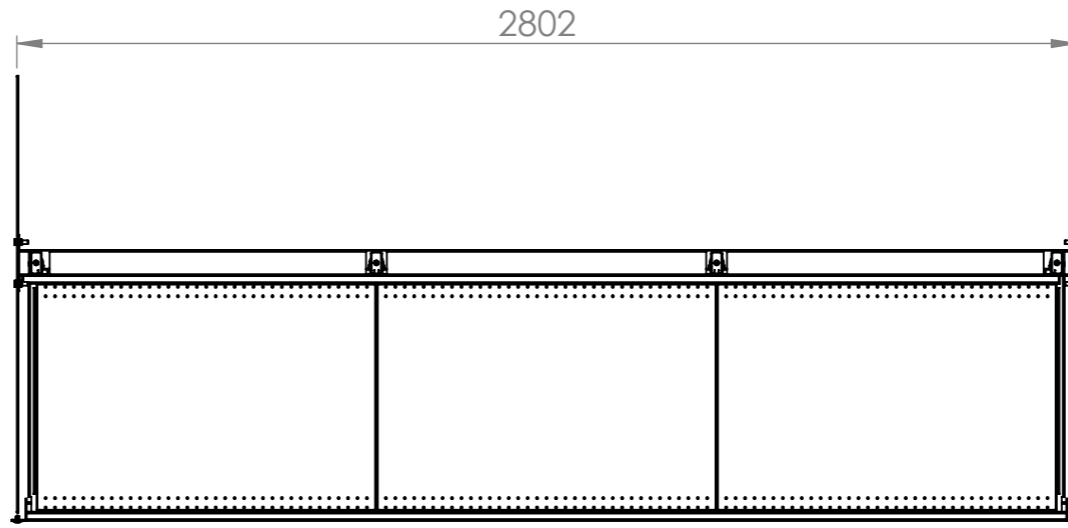
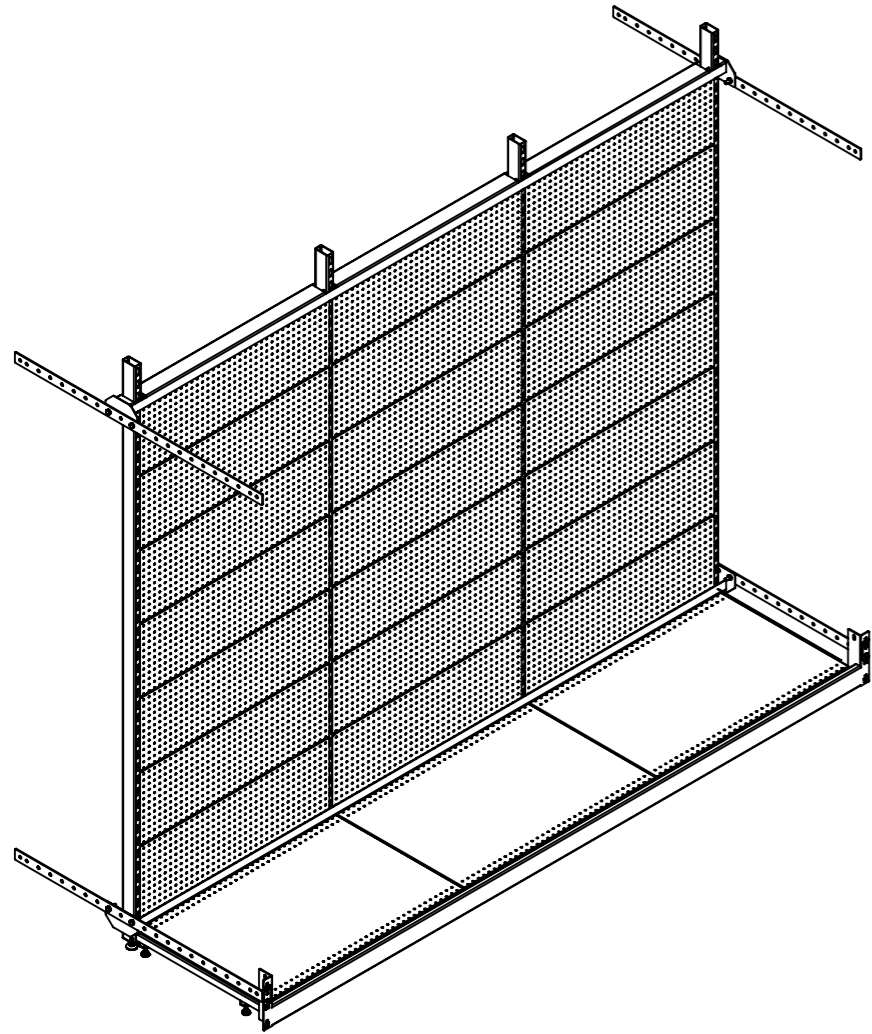
Drawn by PS

Checked by --



DO NOT SCALE

Scale@A3 1:20



Rev	Date	Description

ALL DIMENSIONS IN (mm)  
UNLESS OTHERWISE SPECIFIED  
BREAK ALL SHARP EDGES

TOLERANCES  
(BEFORE PAINTING  
& AFTER PLATING)  
X ± 1.00  
X.X ± 0.50  
X.XX ± 0.10  
ANGLES ± 0.5°

**A02- DIMENSIONS**

CLIENT: RFA  
PROJ. NO.: TBA  
PART NO.: --  
Revision --  
Page 2

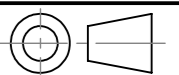
2760mm(W) x 1220mm(D) -600mm  
MID PANEL SET

PRODUCT CODE: **RFA6067**

Date: 2/10/2023

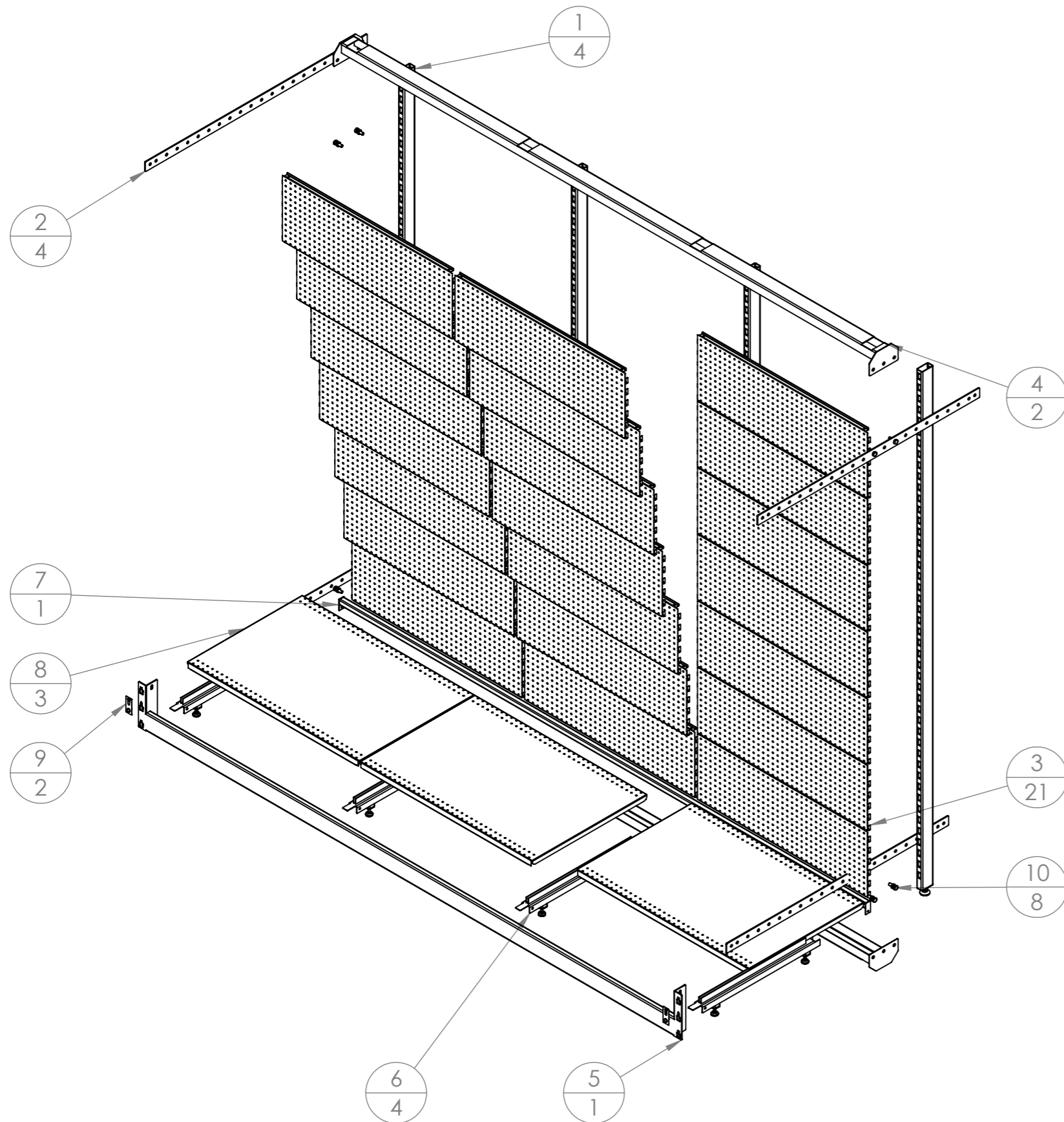
Drawn by PS

Checked by --



DO NOT SCALE

Scale@A3 1:20



ITEM NO.	PartNo	DESCRIPTION	QTY.
1	RFA2300	2400mm(H) MID PANEL POST	4
2	RFA6119	1220mm(W) ADJUSTABLE HOLE BAR	4
3	RFA2307	900mm(W) x 300mm(H) CLIP IN PANEL	21
4	RFA6121	2800mm(W) MID PANEL CHANNEL	2
5	RFA6035	2760mm(W) x 80mm(H) STEP BEAM REVERSE LUG	1
6	RFA6126	600mm(D) STRUT BAR	4
7	RFA6132	2760mm(W) DROP IN BACK BAR	1
8	RFA6128	900mm(W) x 600mm(D) STEEL SHELF	3
9	RFA6036	SAFETY PIN	2
10	RFA6116	M10x30mm NUT AND BOLT SET	8

Rev	Date	Description

ALL DIMENSIONS IN (mm)  
UNLESS OTHERWISE SPECIFIED  
BREAK ALL SHARP EDGES

TOLERANCES  
(BEFORE PAINTING  
& AFTER PLATING)  
X ± 1.00  
X.X ± 0.50  
X.XX ± 0.10  
ANGLES ± 0.5°

A03- EXPLODED

CLIENT: RFA

PROJ. NO.: TBA

PART NO.: --

Revision --

Page 3

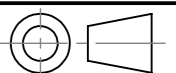
2760mm(W) x 1220mm(D) -600mm  
MID PANEL SET

PRODUCT CODE: **RFA6067**

Date: 2/10/2023

Drawn by PS

Checked by --



DO NOT SCALE

Scale@A3 1:20