

FINISH: P/C MATTE BLACK

AP ASSOCIATED PROJECTS COMMERCIAL BUILDERS,
PROJECT MANAGERS,
PLANNERS & DESIGNERS

T 03 8787 3000 F 03 8787 3025
48-58 Cyber Loop, Dandenong South VIC 3175

Rev	Date	Description

ALL DIMENSIONS IN (mm)
UNLESS OTHERWISE SPECIFIED
BREAK ALL SHARP EDGES

TOLERANCES
(BEFORE PAINTING
& AFTER PLATING)
X ± 1.00
X.X ± 0.50
X.XX ± 0.10
ANGLES ± 0.5°

A01- RENDER
CLIENT: RFA
PROJ. NO.: TBA
PART NO.: --
Revision --
Page 1

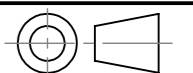
2760mm(W) x 1220mm(D) -450mm
MID PANEL SET

PRODUCT CODE: **RFA6066**

Date: 30/09/2023

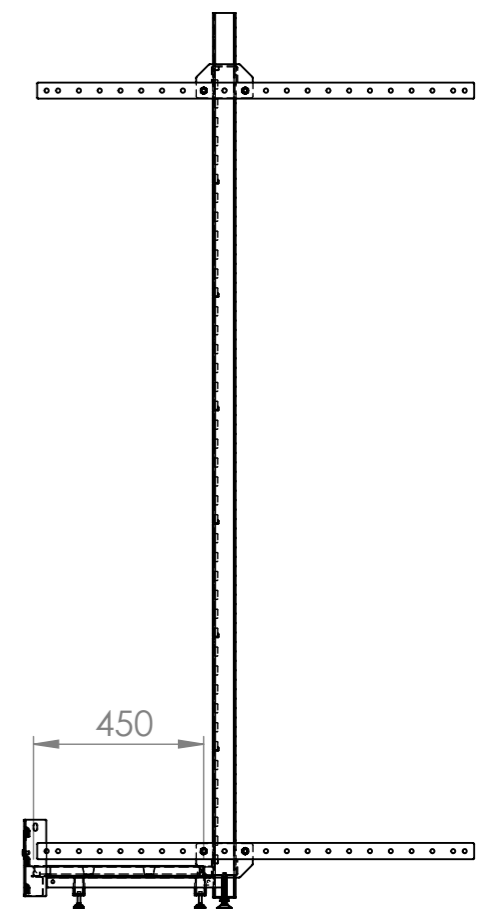
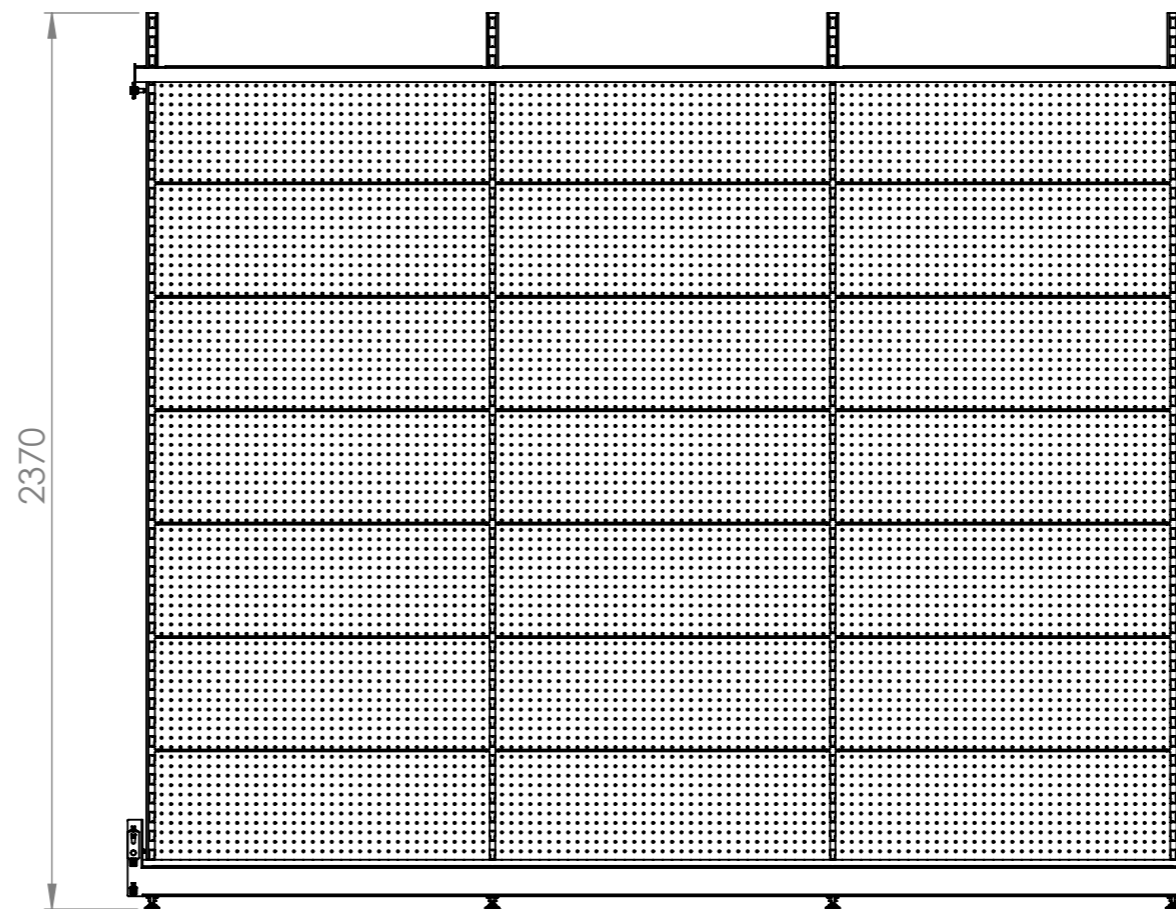
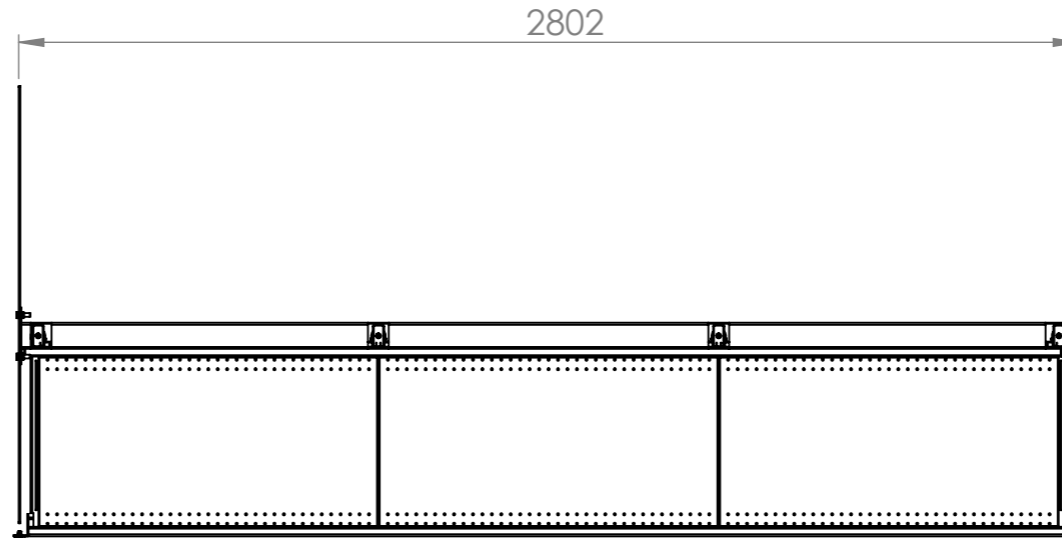
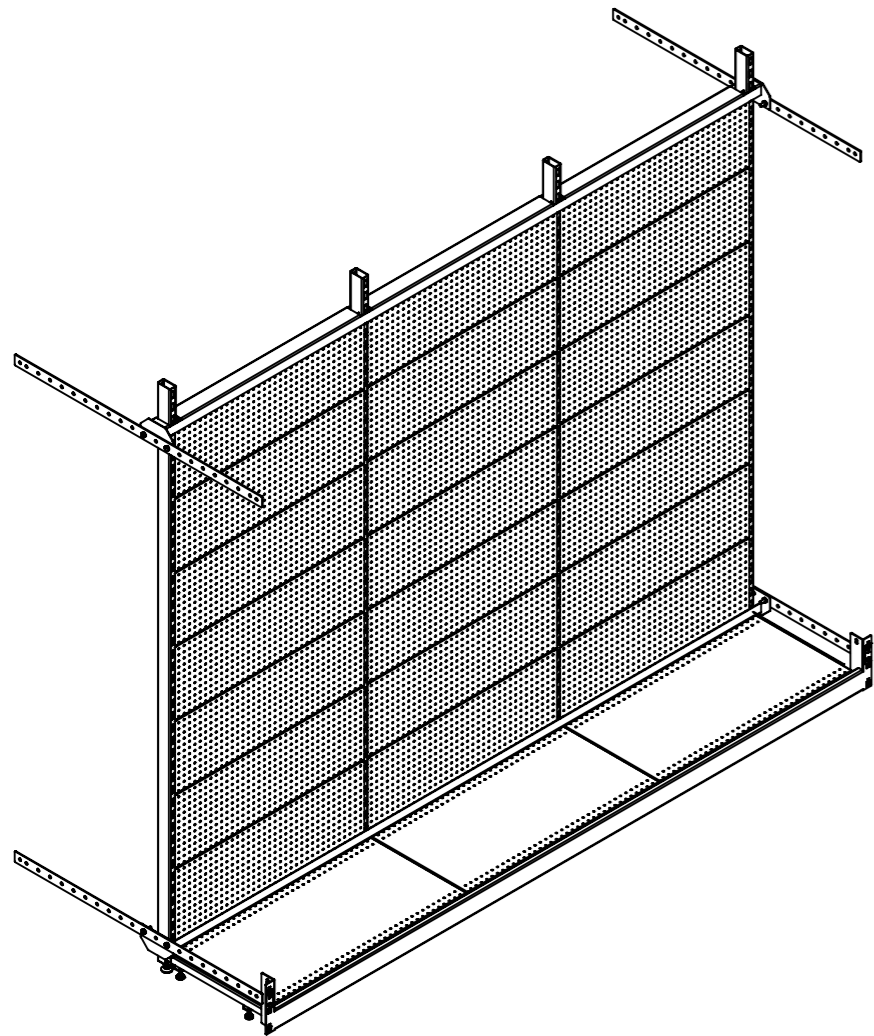
Drawn by PS

Checked by --



DO NOT SCALE

Scale@A3 1:20

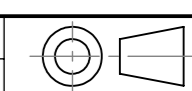


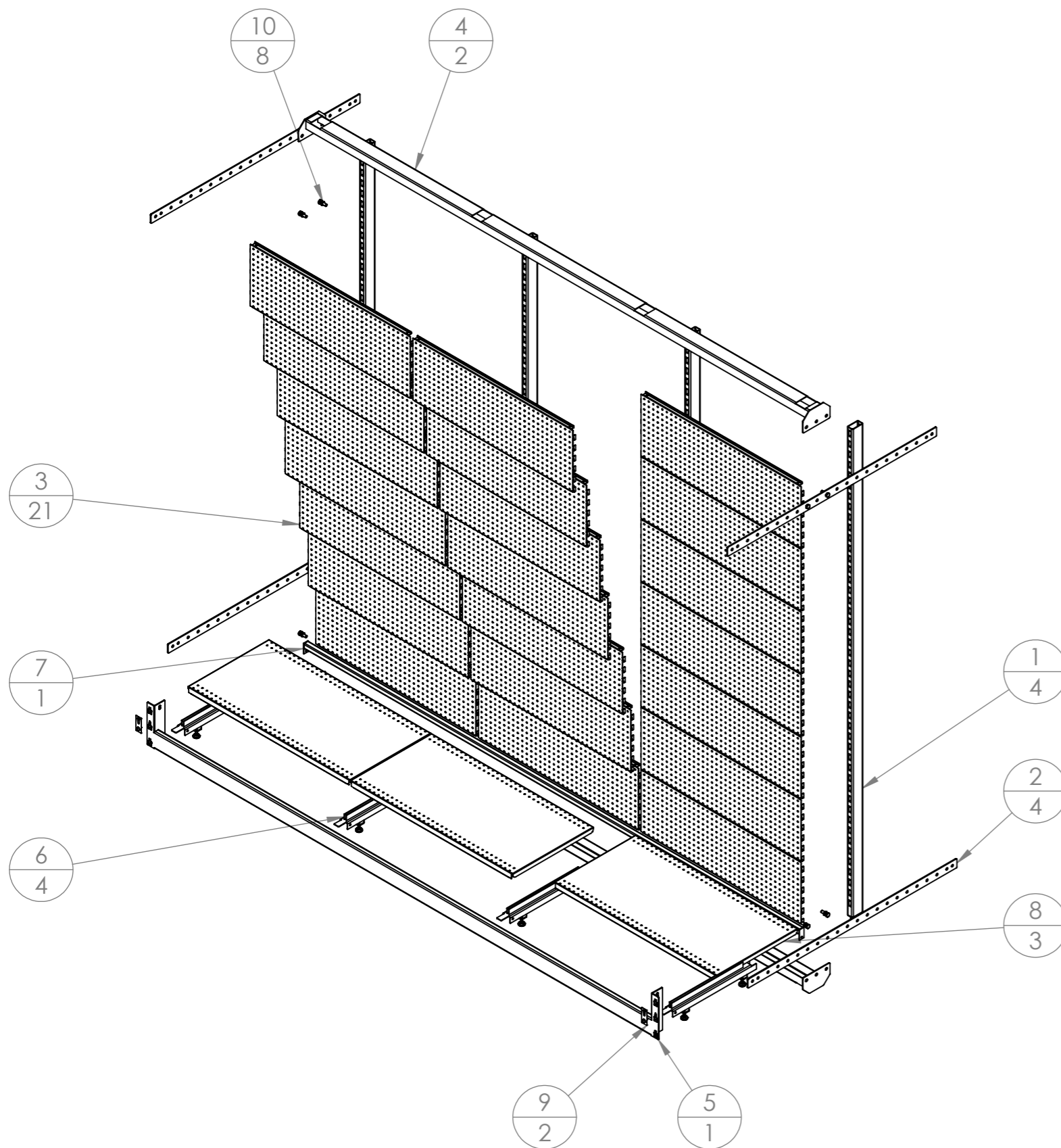
Rev	Date	Description

ALL DIMENSIONS IN (mm)
UNLESS OTHERWISE SPECIFIED
BREAK ALL SHARP EDGES

TOLERANCES
(BEFORE PAINTING
& AFTER PLATING)
X ± 1.00
X.X ± 0.50
X.XX ± 0.10
ANGLES ± 0.5°

A02- DIMENSIONS
CLIENT: RFA
PROJ. NO.: TBA
PART NO.: --
Revision --
Page 2

2760mm(W) x 1220mm(D) -450mm MID PANEL SET		 DO NOT SCALE
PRODUCT CODE: RFA6066	Date: 30/09/2023	
Drawn by PS	Checked by --	Scale@A3 1:20



ITEM NO.	PartNo	DESCRIPTION	QTY.
1	RFA2300	2400mm(H) MID PANEL POST	4
2	RFA6119	1220mm(W) ADJUSTABLE HOLE BAR	4
3	RFA2307	900mm(W) x 300mm(H) CLIP IN PANEL	21
4	RFA6121	2800mm(W) MID PANEL CHANNEL	2
5	RFA6035	2760mm(W) x 80mm(H) STEP BEAM REVERSE LUG	1
6	RFA6125	450mm(D) STRUT BAR	4
7	RFA6132	2760mm(W) DROP IN BACK BAR	1
8	RFA6127	900mm(W) x 450mm(D) STEEL SHELF	3
9	RFA6036	SAFETY PIN	2
10	RFA6116	M10x30mm NUT AND BOLT SET	8

Rev	Date	Description

ALL DIMENSIONS IN (mm)
UNLESS OTHERWISE SPECIFIED
BREAK ALL SHARP EDGES

TOLERANCES
(BEFORE PAINTING
& AFTER PLATING)
X ± 1.00
X.X ± 0.50
X.XX ± 0.10
ANGLES ± 0.5°

A03- EXPLODED

CLIENT: RFA

PROJ. NO.: TBA

PART NO.: --

Revision --

Page 3

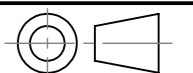
2760mm(W) x 1220mm(D) -450mm
MID PANEL SET

PRODUCT CODE: **RFA6066**

Date: 30/09/2023

Drawn by PS

Checked by --



DO NOT SCALE

Scale@A3 1:20