

FINISH: P/C MATTE BLACK

AP ASSOCIATED PROJECTS COMMERCIAL BUILDERS,
PROJECT MANAGERS,
PLANNERS & DESIGNERS

T 03 8787 3000 F 03 8787 3025
48-58 Cyber Loop, Dandenong South VIC 3175

Rev	Date	Description

ALL DIMENSIONS IN (mm)
UNLESS OTHERWISE SPECIFIED
BREAK ALL SHARP EDGES

TOLERANCES
(BEFORE PAINTING
& AFTER PLATING)
X ± 1.00
X.X ± 0.50
X.XX ± 0.10
ANGLES ± 0.5°

A01- RENDER

CLIENT: RFA

PROJ. NO.: TBA

PART NO.: --

Revision --

Page 1

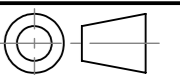
1940mm(W) x 1220mm(D) -600mm
MID PANEL SET

PRODUCT CODE: **RFA6065**

Date: 30/09/2023

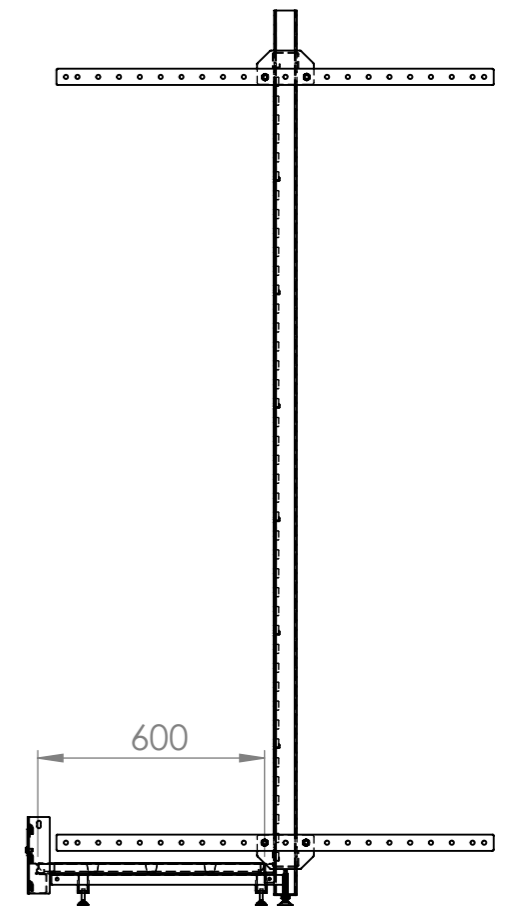
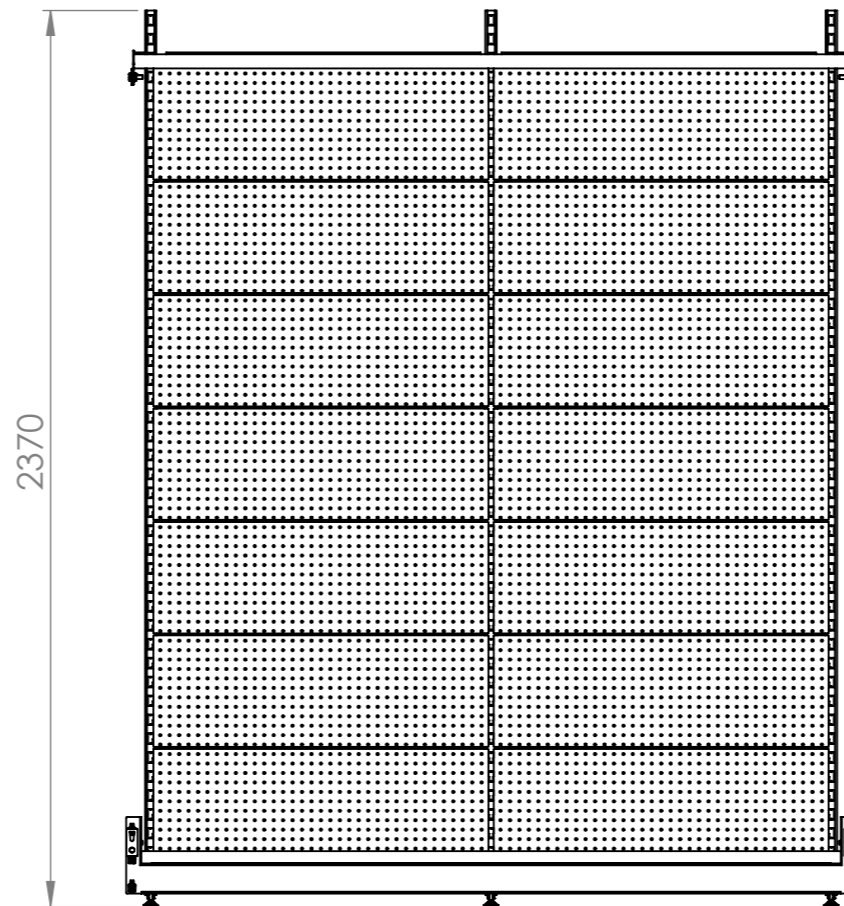
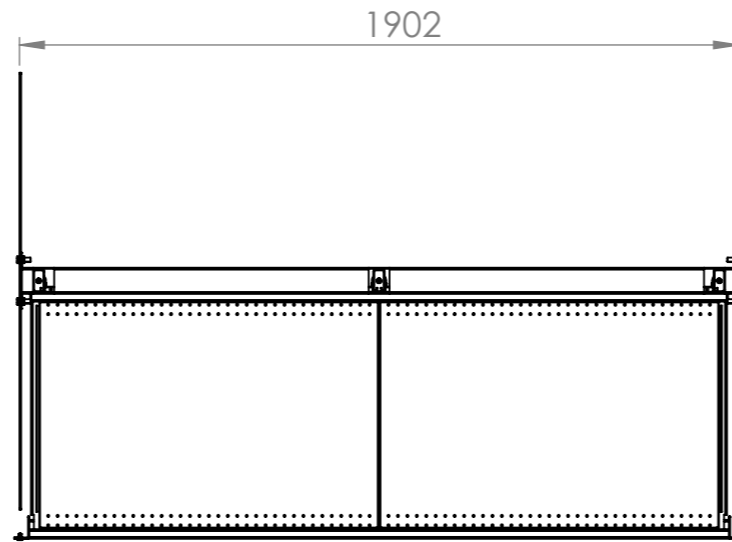
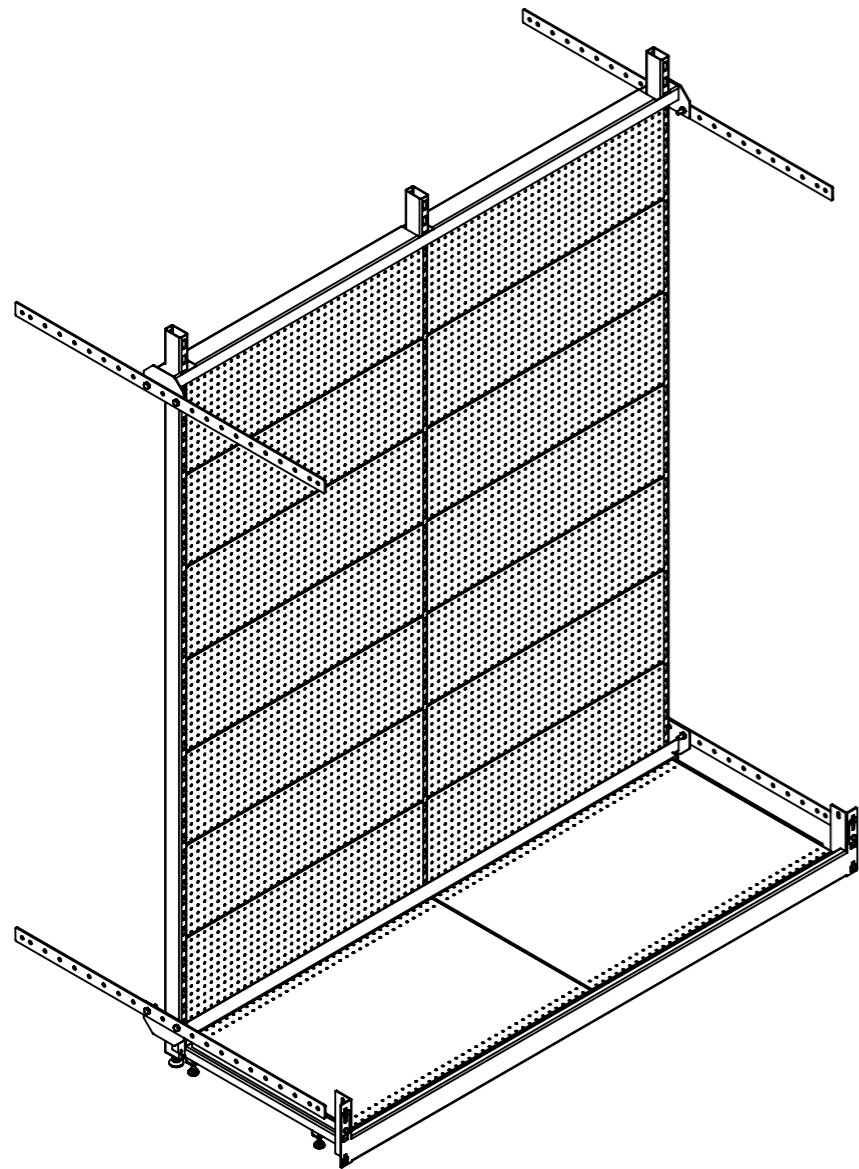
Drawn by PS

Checked by --



DO NOT SCALE

Scale@A3 1:20



Rev	Date	Description

ALL DIMENSIONS IN (mm)
UNLESS OTHERWISE SPECIFIED
BREAK ALL SHARP EDGES

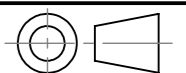
TOLERANCES
(BEFORE PAINTING
& AFTER PLATING)
X ± 1.00
X.X ± 0.50
X.XX ± 0.10
ANGLES ± 0.5°

A02- DIMENSIONS

CLIENT: RFA
PROJ. NO.: TBA
PART NO.: --
Revision --
Page 2

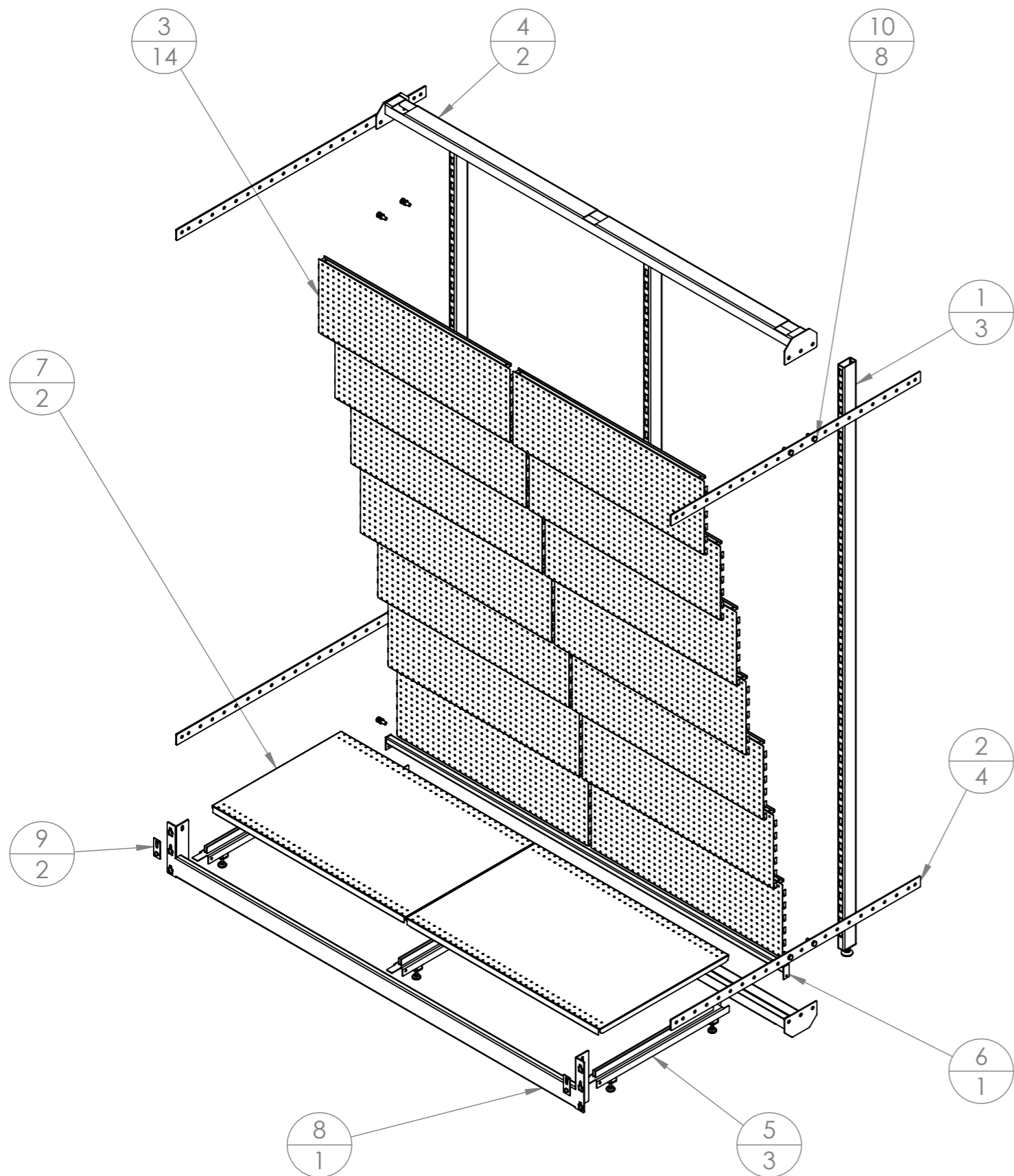
1940mm(W) x 1220mm(D) -600mm
MID PANEL SET

PRODUCT CODE: RFA6065	
Date:	30/09/2023
Drawn by	PS
Checked by	--



DO NOT SCALE

Scale@A3 1:20



ITEM NO.	PartNo	DESCRIPTION	QTY.
1	RFA2300	2400mm(H) MID PANEL POST	3
2	RFA6119	1220mm(W) ADJUSTABLE HOLE BAR	4
3	RFA2307	900mm(W) x 300mm(H) CLIP IN PANEL	14
4	RFA6120	2000mm(W) MID PANEL CHANNEL	2
5	RFA6126	600mm(D) STRUT BAR	3
6	RFA6131	1940mm(W) DROP IN BACK BAR	1
7	RFA6128	900mm(W) x 600mm(D) STEEL SHELF	2
8	RFA6034	1860mm(W) x 80mm(H) x 50mm(D) REVERS LUG STEP BEAM	1
9	RFA6036	SAFETY PIN	2
10	RFA6116	M10x30mm NUT AND BOLT SET	8

AP ASSOCIATED PROJECTS COMMERCIAL BUILDERS, PROJECT MANAGERS, PLANNERS & DESIGNERS
 T 03 8787 3000 F 03 8787 3025
 48-58 Cyber Loop, Dandenong South VIC 3175

Rev	Date	Description

ALL DIMENSIONS IN (mm)
 UNLESS OTHERWISE SPECIFIED
 BREAK ALL SHARP EDGES

TOLERANCES
 (BEFORE PAINTING
 & AFTER PLATING)
 X ± 1.00
 X.X ± 0.50
 X.XX ± 0.10
 ANGLES ± 0.5°

A03- EXPLODED
 CLIENT: RFA
 PROJ. NO.: TBA
 PART NO.: --
 Revision --
 Page 3

1940mm(W) x 1220mm(D) -600mm
 MID PANEL SET

PRODUCT CODE: **RFA6065**

Date: 30/09/2023

Drawn by PS

Checked by --

DO NOT SCALE

Scale@A3 1:20