

FINISH: P/C MATTE BLACK

**AP ASSOCIATED PROJECTS** COMMERCIAL BUILDERS,  
PROJECT MANAGERS,  
PLANNERS & DESIGNERS

T 03 8787 3000 F 03 8787 3025  
48-58 Cyber Loop, Dandenong South VIC 3175

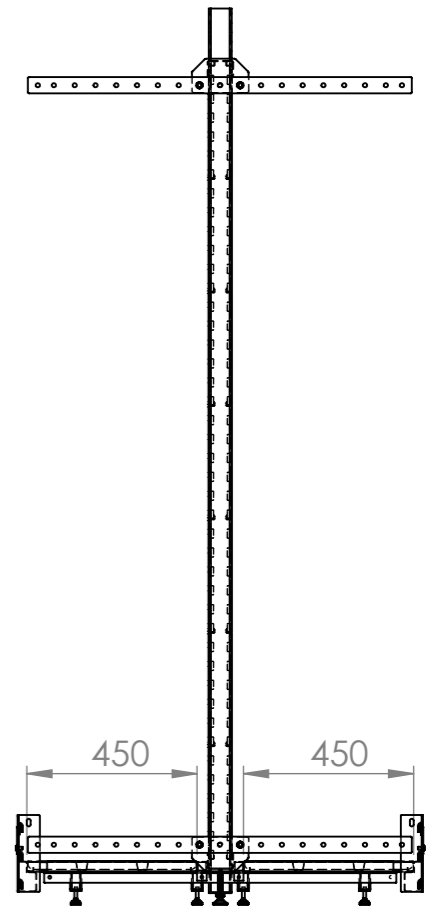
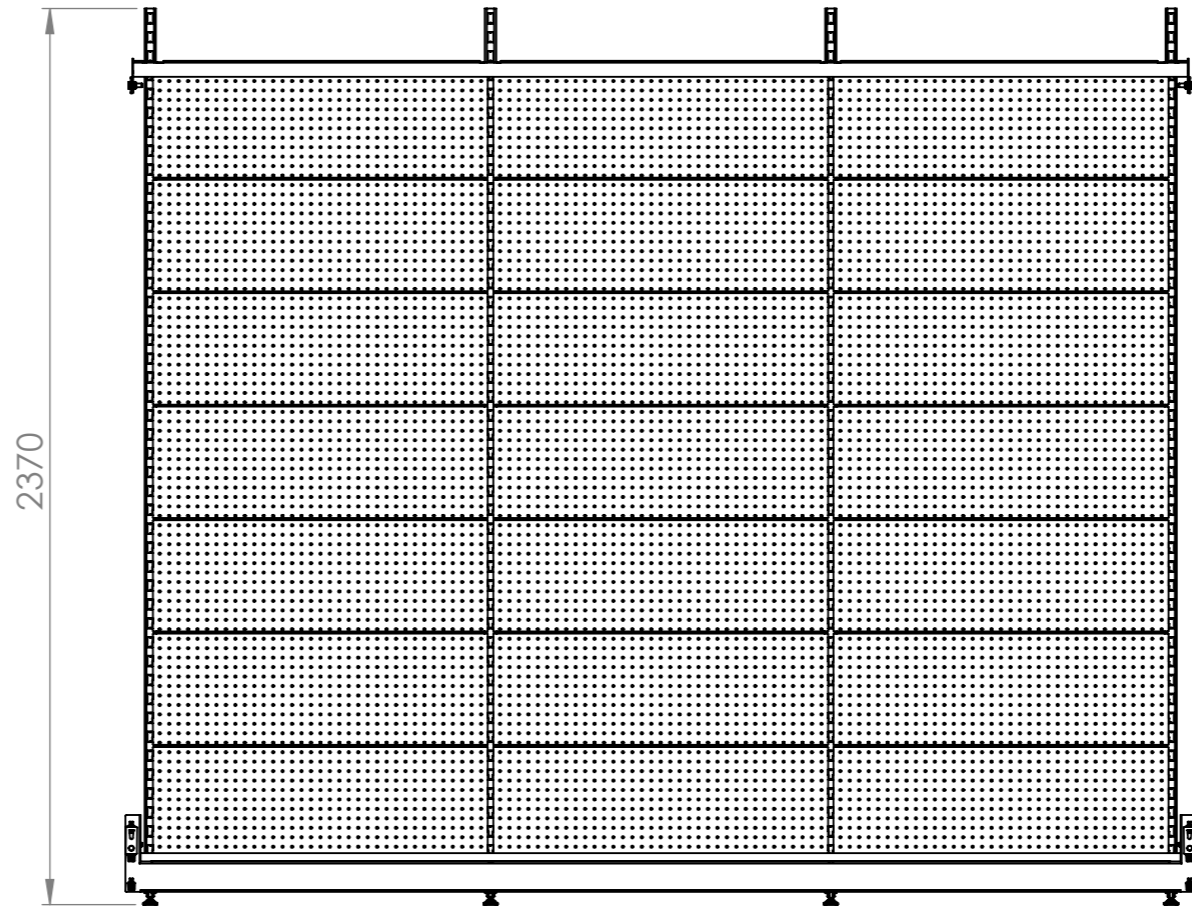
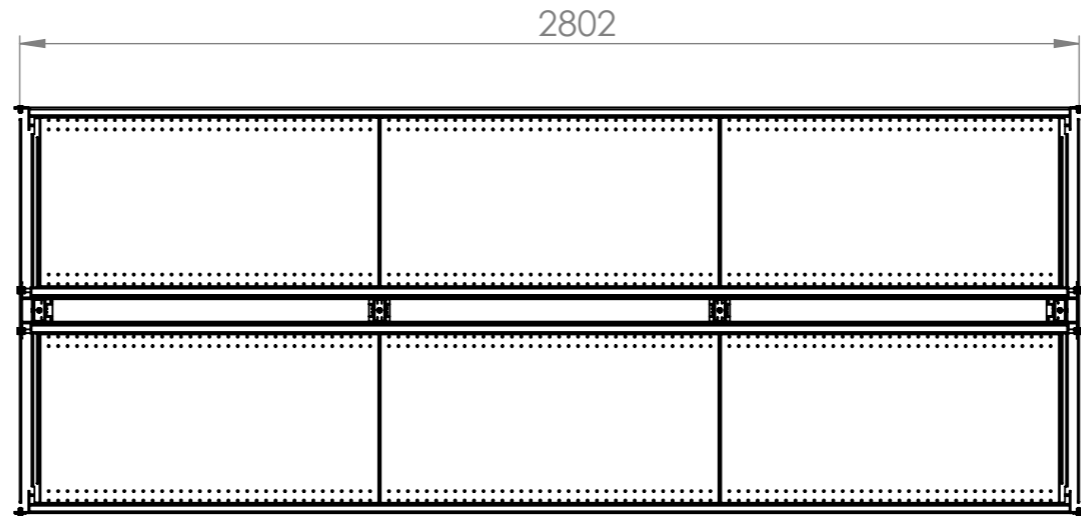
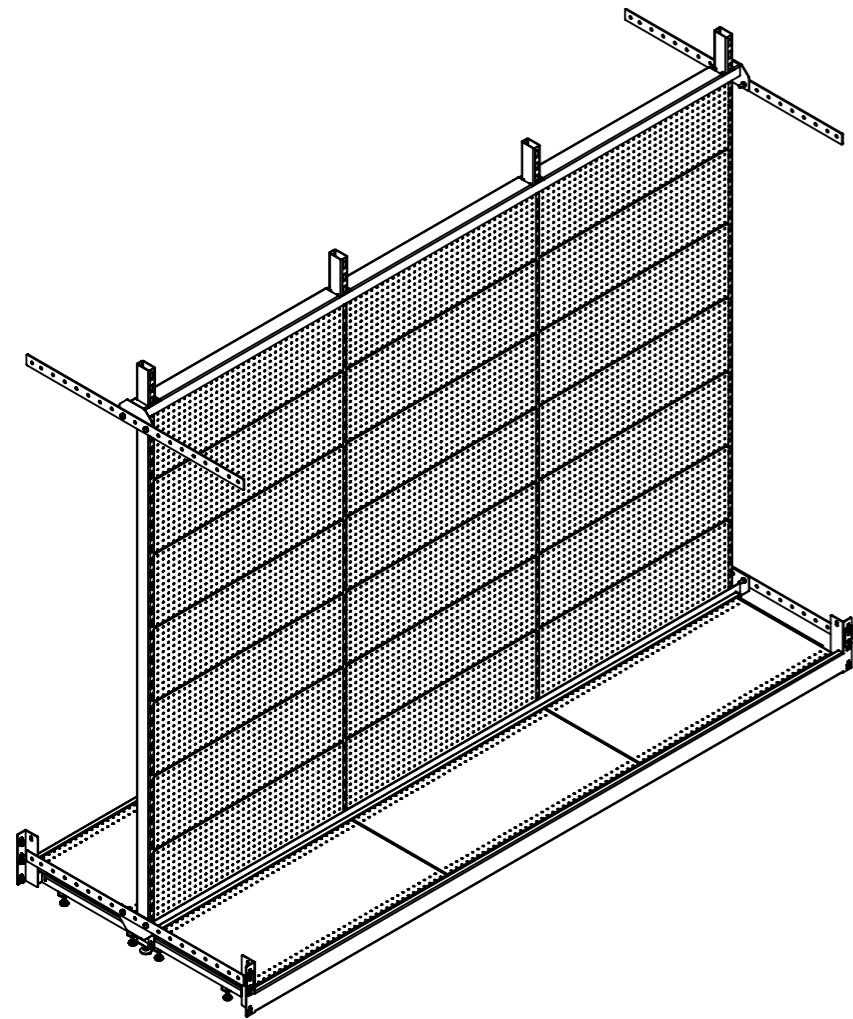
Rev	Date	Description

ALL DIMENSIONS IN (mm)  
UNLESS OTHERWISE SPECIFIED  
BREAK ALL SHARP EDGES

TOLERANCES  
(BEFORE PAINTING  
& AFTER PLATING)  
X ± 1.00  
X.X ± 0.50  
X.XX ± 0.10  
ANGLES ± 0.5°

A01- RENDER  
CLIENT: RFA  
PROJ. NO.: TBA  
PART NO.: --  
Revision --  
Page 1

2760mm(W) x 1067mm(D) -450mm MID PANEL SET - DOUBLE SIDED		
PRODUCT CODE: <b>RFA6063</b>	Date: 30/09/2023	
Drawn by PS	Checked by --	DO NOT SCALE
Scale@A3 1:20		

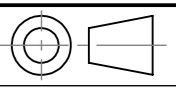


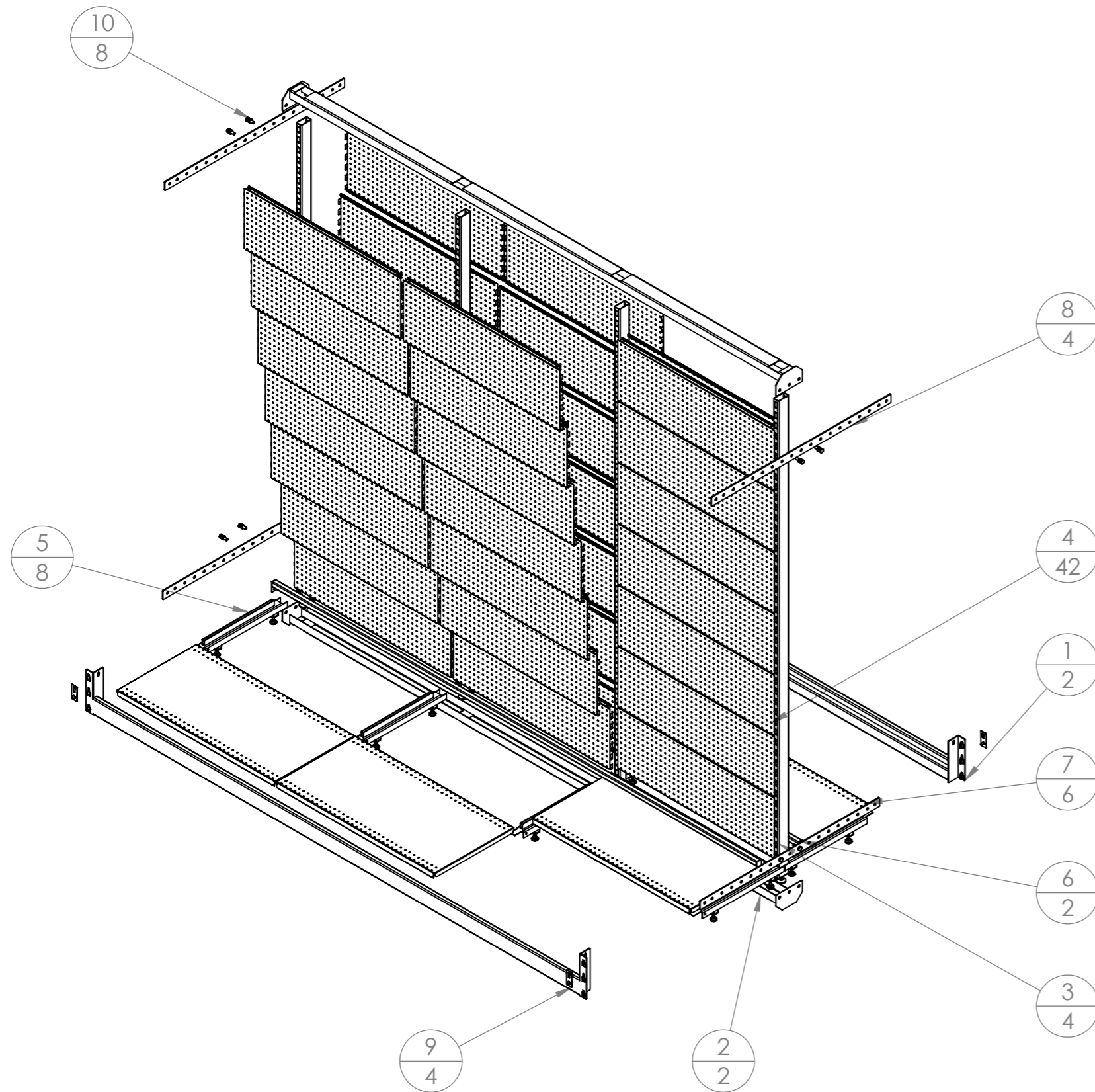
Rev	Date	Description

ALL DIMENSIONS IN (mm)  
UNLESS OTHERWISE SPECIFIED  
BREAK ALL SHARP EDGES

TOLERANCES  
(BEFORE PAINTING  
& AFTER PLATING)  
X ± 1.00  
X.X ± 0.50  
X.XX ± 0.10  
ANGLES ± 0.5°

**A02- DIMENSIONS**  
CLIENT: RFA  
PROJ. NO.: TBA  
PART NO.: --  
Revision --  
Page 2

2760mm(W) x 1067mm(D) -450mm MID PANEL SET - DOUBLE SIDED		 DO NOT SCALE
PRODUCT CODE: <b>RFA6063</b>	Date: 30/09/2023	
Drawn by PS	Checked by --	Scale@A3 1:20



ITEM NO.	PartNo	DESCRIPTION	QTY.
1	RFA6035	2760mm(W) x 80mm(H) STEP BEAM REVERSE LUG	2
2	RFA6121	2800mm(W) MID PANEL CHANNEL	2
3	RFA2300	2400mm(H) MID PANEL POST	4
4	RFA2307	900mm(W) x 300mm(H) CLIP IN PANEL	42
5	RFA6125	450mm(D) STRUT BAR	8
6	RFA6132	2760mm(W) DROP IN BACK BAR	2
7	RFA6127	900mm(W) x 450mm(D) STEEL SHELF	6
8	RFA6118	1067mm(D) ADJUSTABLE HOLE BAR	4
9	RFA6036	SAFETY PIN	4
10	RFA6116	M10x30mm NUT AND BOLT SET	8

Rev	Date	Description

ALL DIMENSIONS IN (mm)  
 UNLESS OTHERWISE SPECIFIED  
 BREAK ALL SHARP EDGES

TOLERANCES  
 (BEFORE PAINTING  
 & AFTER PLATING)  
 X ± 1.00  
 X.X ± 0.50  
 X.XX ± 0.10  
 ANGLES ± 0.5°

**A03- EXPLODED**  
 CLIENT: RFA  
 PROJ. NO.: TBA  
 PART NO.: --  
 Revision --  
 Page 3

2760mm(W) x 1067mm(D) -450mm MID PANEL SET - DOUBLE SIDED		
PRODUCT CODE: <b>RFA6063</b>	Date: 30/09/2023	
Drawn by PS	Checked by --	DO NOT SCALE
		Scale@A3 1:20