

FINISH: P/C MATTE BLACK

AP ASSOCIATED PROJECTS COMMERCIAL BUILDERS,
PROJECT MANAGERS,
PLANNERS & DESIGNERS

T 03 8787 3000 F 03 8787 3025
48-58 Cyber Loop, Dandenong South VIC 3175

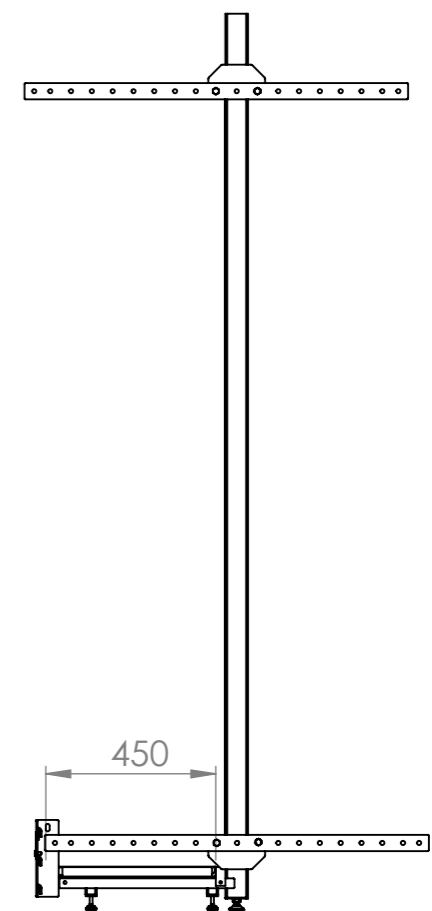
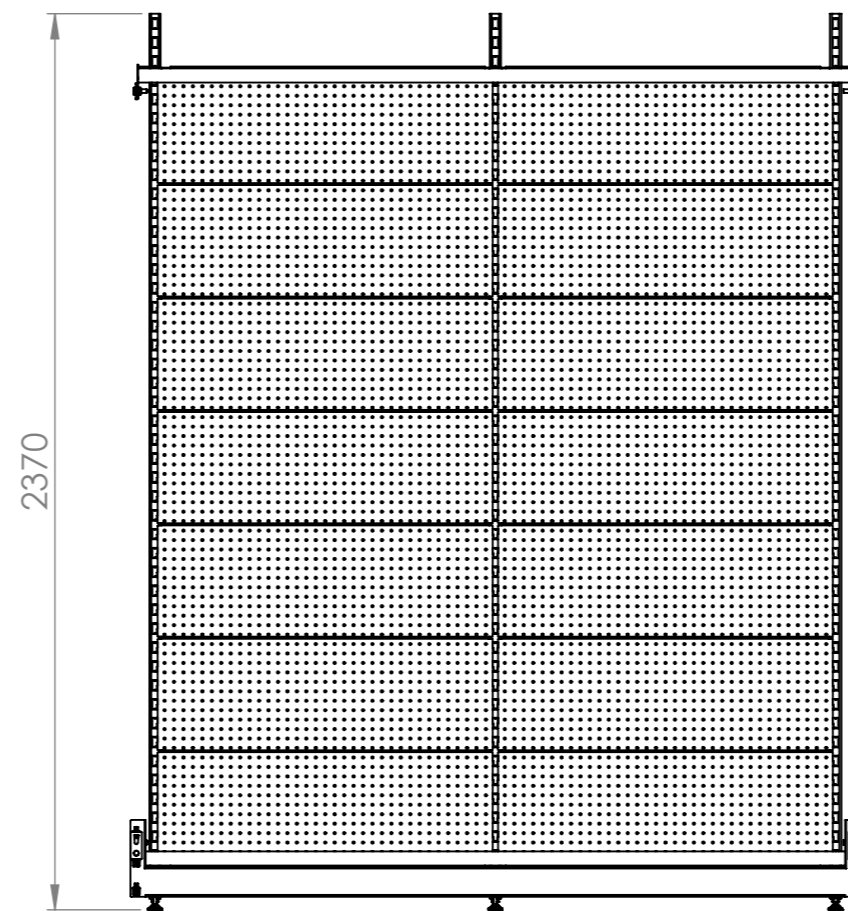
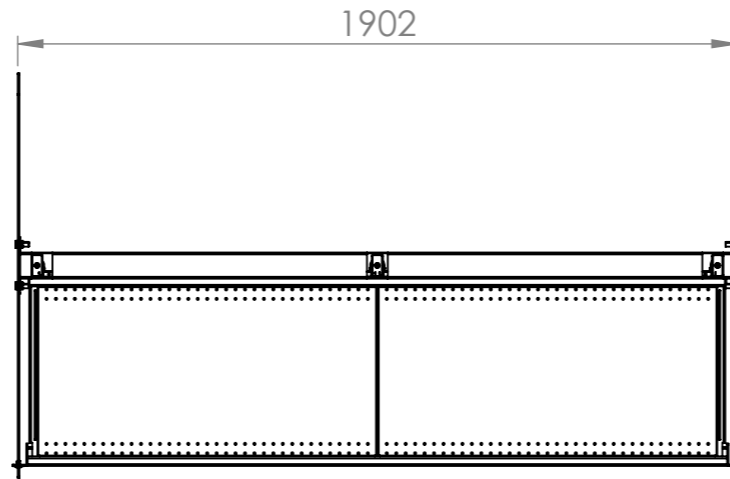
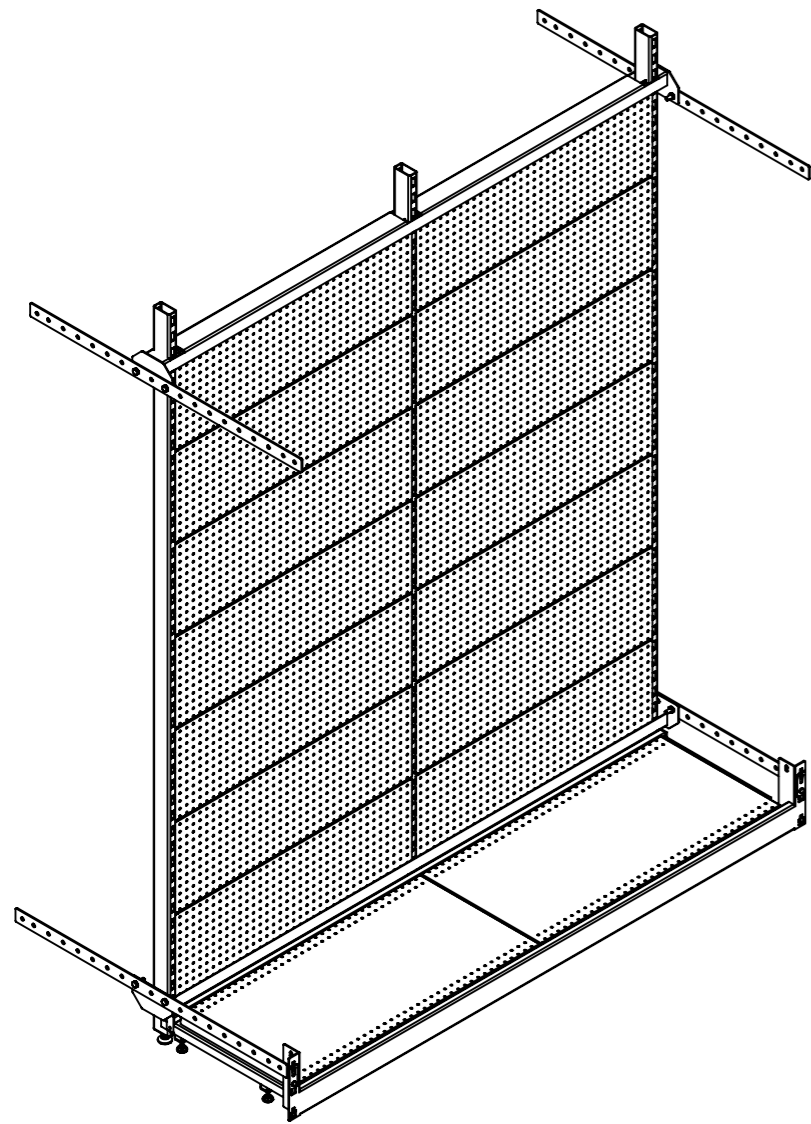
Rev	Date	Description

ALL DIMENSIONS IN (mm)
UNLESS OTHERWISE SPECIFIED
BREAK ALL SHARP EDGES

TOLERANCES
(BEFORE PAINTING
& AFTER PLATING)
X ± 1.00
X.X ± 0.50
X.XX ± 0.10
ANGLES ± 0.5°

A01- RENDER
CLIENT: RFA
PROJ. NO.: TBA
PART NO.: --
Revision --
Page 1

1940mm(W) x 1067mm(D) -450mm MID PANEL SET		
-		
PRODUCT CODE: RFA6058		
Date: 28/09/2023		
Drawn by PS	DO NOT SCALE	
Checked by --	Scale@A3 1:20	



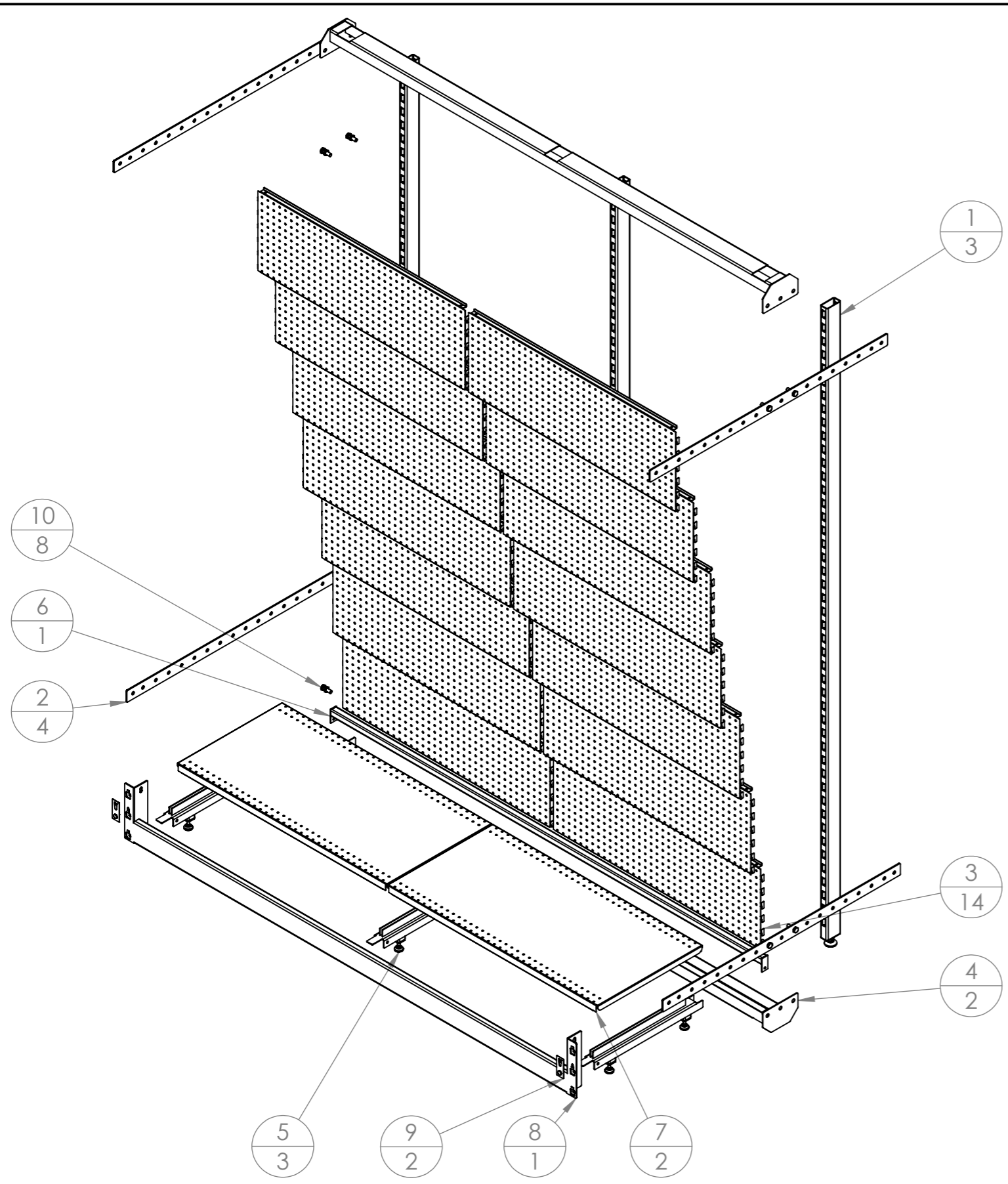
Rev	Date	Description

ALL DIMENSIONS IN (mm)
UNLESS OTHERWISE SPECIFIED
BREAK ALL SHARP EDGES

TOLERANCES
(BEFORE PAINTING
& AFTER PLATING)
X ± 1.00
X.X ± 0.50
X.XX ± 0.10
ANGLES ± 0.5°

A02- DIMENSIONS
CLIENT: RFA
PROJ. NO.: TBA
PART NO.: --
Revision --
Page 2

1940mm(W) x 1067mm(D) -450mm MID PANEL SET		
PRODUCT CODE: RFA6058	Date: 28/09/2023	
Drawn by PS	Checked by --	DO NOT SCALE
		Scale@A3 1:20



ITEM NO.	PartNo	DESCRIPTION	QTY.
1	RFA2300	2400mm(H) MID PANEL POST	3
2	RFA6118	1067mm(D) ADJUSTABLE HOLE BAR	4
3	RFA6124	900mm(W) x 300mm(H) CLIP IN PANEL	14
4	RFA6120	2000mm(W) MID PANEL CHANNEL	2
5	RFA6125	450mm(D) STRUT BAR	3
6	RFA6131	1940mm(W) DROP IN BACK BAR	1
7	RFA6127	900mm(W) x 450mm(D) STEEL SHELF	2
8	RFA6034	1860mm(W) x 80mm(H) x50mm(D) REVERS LUG STEP BEAM	1
9	RFA6036	SAFETY PIN	2
10	RFA6116	M10x30mm NUT AND BOLT SET	8

AP ASSOCIATED PROJECTS COMMERCIAL BUILDERS, PROJECT MANAGERS, PLANNERS & DESIGNERS

T 03 8787 3000 F 03 8787 3025
48-58 Cyber Loop, Dandenong South VIC 3175

Rev	Date	Description

ALL DIMENSIONS IN (mm)
UNLESS OTHERWISE SPECIFIED
BREAK ALL SHARP EDGES

TOLERANCES
(BEFORE PAINTING
& AFTER PLATING)
X ± 1.00
X.X ± 0.50
X.XX ± 0.10
ANGLES ± 0.5°

A03- EXPLODED
CLIENT: RFA
PROJ. NO.: TBA
PART NO.: --
Revision --
Page 3

1940mm(W) x 1067mm(D) -450mm MID PANEL SET		
PRODUCT CODE: RFA6058	Date: 28/09/2023	
Drawn by PS	Checked by --	DO NOT SCALE
		Scale@A3 1:20