

FINISH: P/C MATTE BLACK

**AP ASSOCIATED PROJECTS** COMMERCIAL BUILDERS,  
PROJECT MANAGERS,  
PLANNERS & DESIGNERS

T 03 8787 3000 F 03 8787 3025  
48-58 Cyber Loop, Dandenong South VIC 3175

| Rev | Date | Description |
|-----|------|-------------|
|     |      |             |
|     |      |             |
|     |      |             |
|     |      |             |

ALL DIMENSIONS IN (mm)  
UNLESS OTHERWISE SPECIFIED  
BREAK ALL SHARP EDGES

TOLERANCES  
(BEFORE PAINTING  
& AFTER PLATING)  
X ± 1.00  
X.X ± 0.50  
X.XX ± 0.10  
ANGLES ± 0.5°

A01- RENDER

CLIENT: RFA

PROJ. NO.: TBA

PART NO.: --

Revision --

Page 1

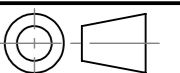
2760mm(W) x 838mm(D) - 600  
MID PANEL SET

PRODUCT CODE: **RFA6057**

Date: 28/09/2023

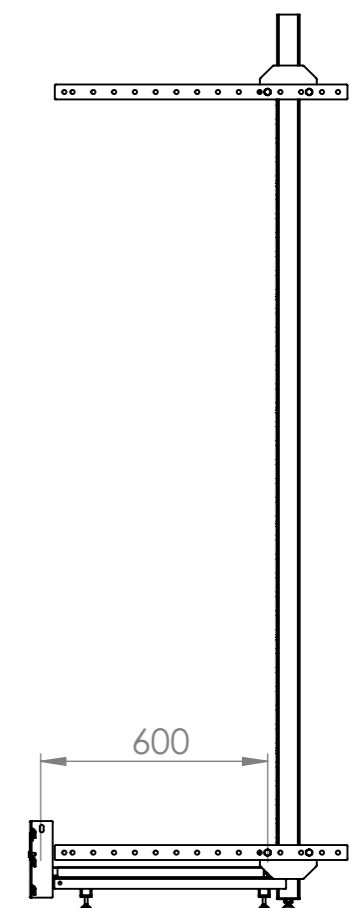
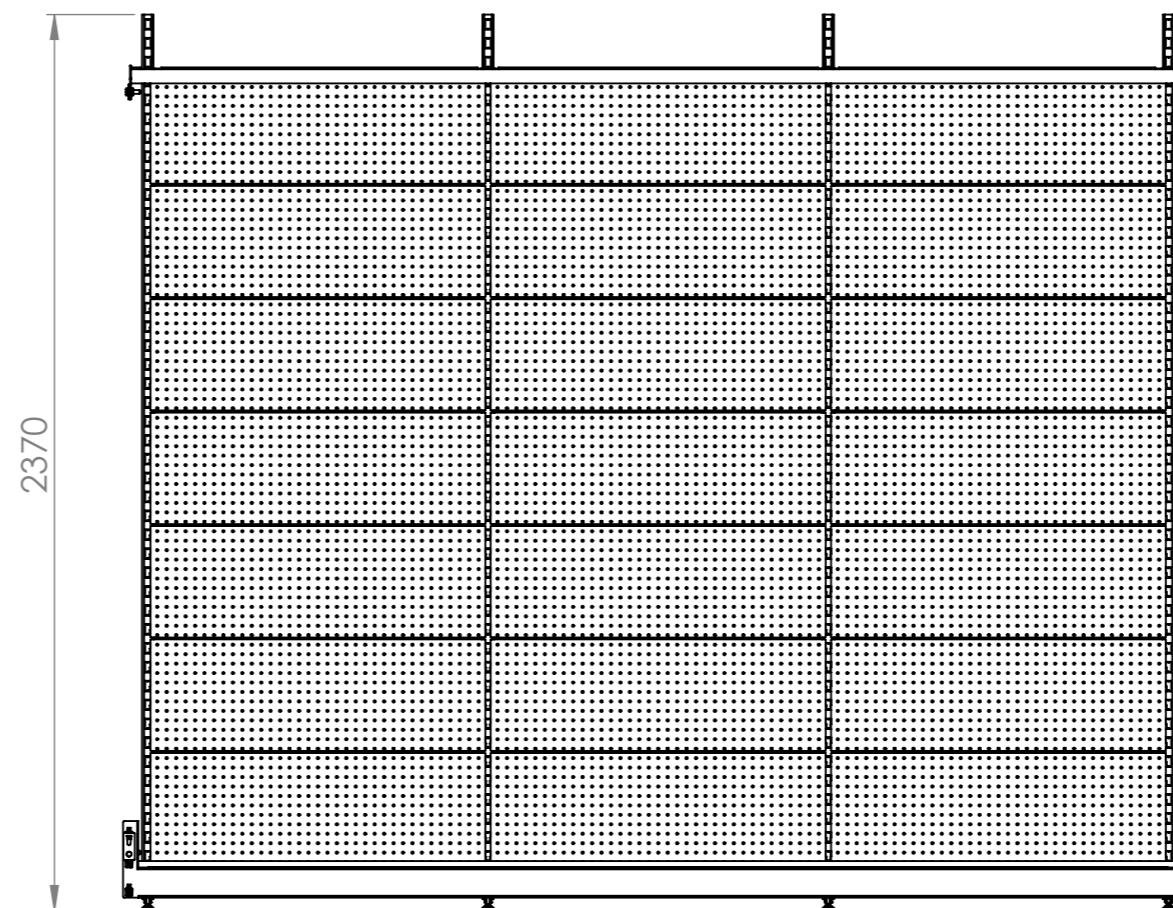
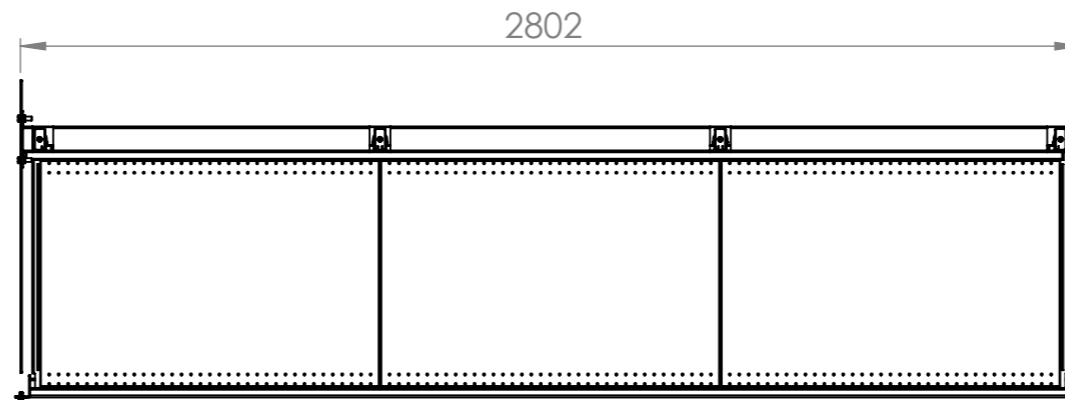
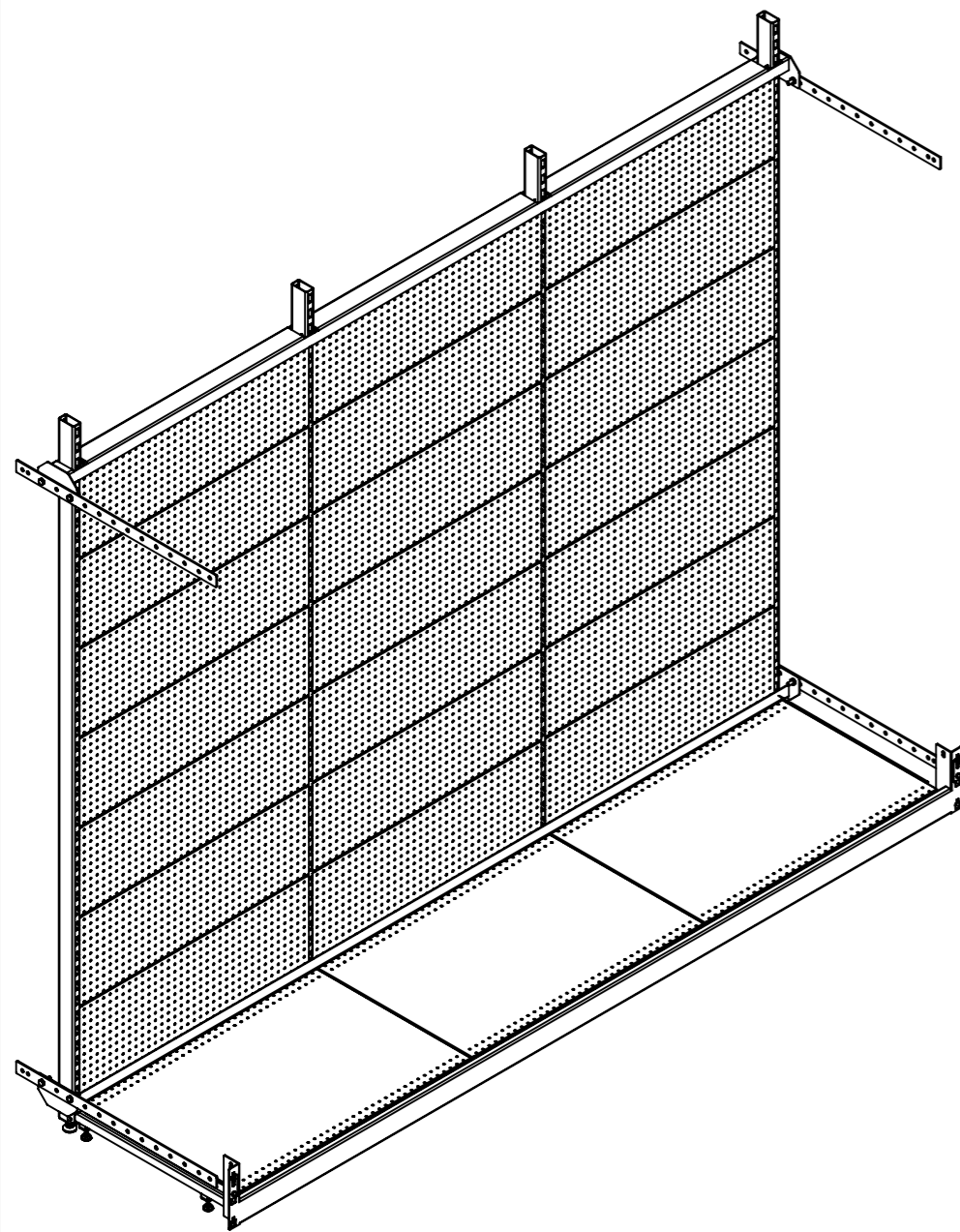
Drawn by PS

Checked by --



DO NOT SCALE

Scale@A3 1:20



| Rev | Date | Description |
|-----|------|-------------|
|     |      |             |
|     |      |             |
|     |      |             |

ALL DIMENSIONS IN (mm)  
UNLESS OTHERWISE SPECIFIED  
BREAK ALL SHARP EDGES

TOLERANCES  
(BEFORE PAINTING  
& AFTER PLATING)  
X ± 1.00  
X.X ± 0.50  
X.XX ± 0.10  
ANGLES ± 0.5°

**A02- DIMENSIONS**

CLIENT: RFA  
PROJ. NO.: TBA  
PART NO.: --  
Revision --  
Page 2

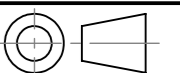
2760mm(W) x 838mm(D) - 600  
MID PANEL SET

PRODUCT CODE: **RFA6057**

Date: 28/09/2023

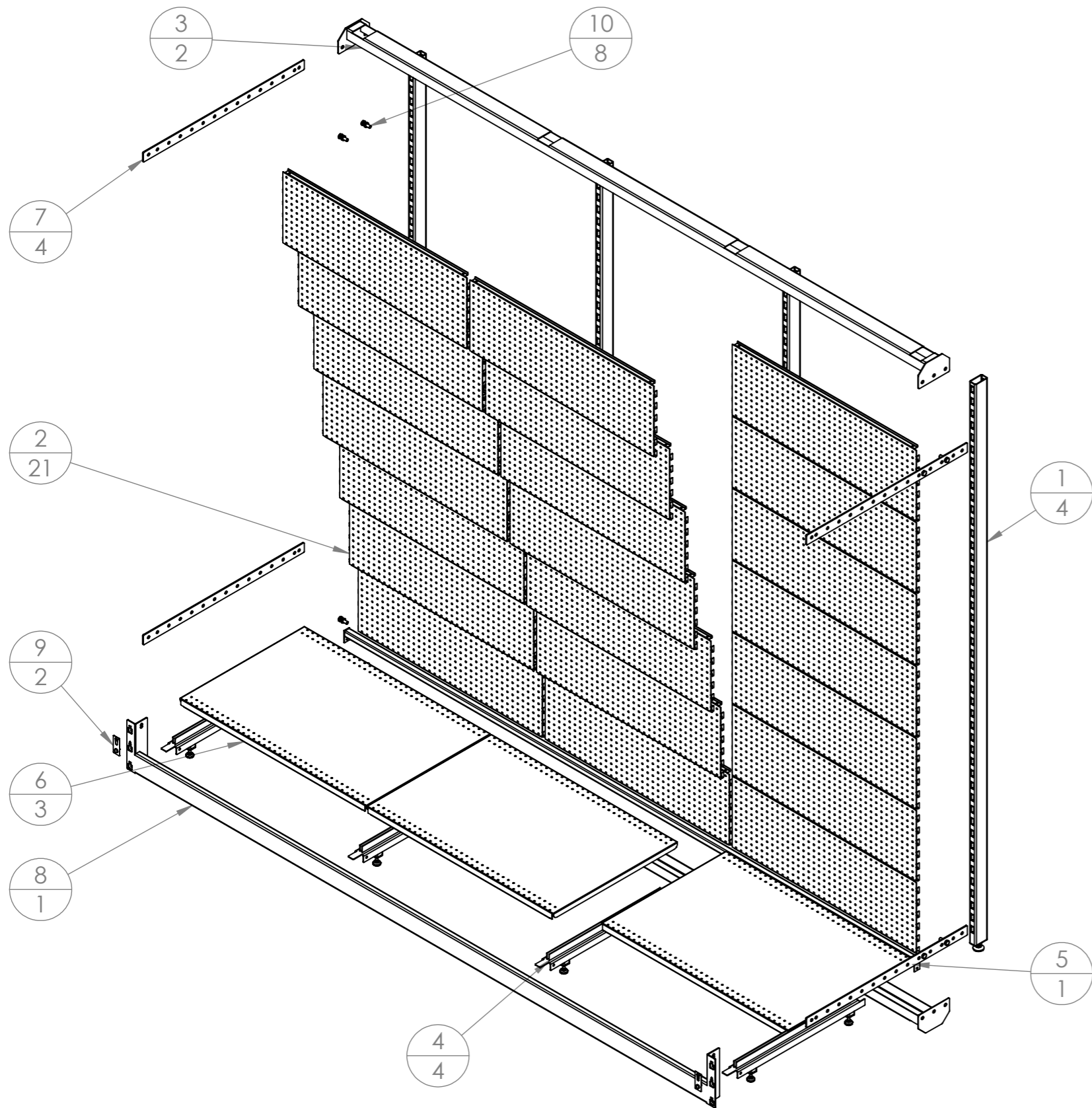
Drawn by PS

Checked by --



DO NOT SCALE

Scale@A3 1:20



| ITEM NO. | PartNo  | DESCRIPTION                               | QTY. |
|----------|---------|---|------|
| 1        | RFA2300 | 2400mm(H) MID PANEL POST                  | 4    |
| 2        | RFA6124 | 900mm(W) x 300mm(H) CLIP IN PANEL         | 21   |
| 3        | RFA6121 | 2800mm(W) MID PANEL CHANNEL               | 2    |
| 4        | RFA6126 | 600mm(D) STRUT BAR                        | 4    |
| 5        | RFA6132 | 2760mm(W) DROP IN BACK BAR                | 1    |
| 6        | RFA6128 | 900mm(W) x 600mm(D) STEEL SHELF           | 3    |
| 7        | RFA6117 | 838mm(W) ADJUSTABLE HOLE BAR              | 4    |
| 8        | RFA6035 | 2760mm(W) x 80mm(H) STEP BEAM REVERSE LUG | 1    |
| 9        | RFA6036 | SAFETY PIN                                | 2    |
| 10       | RFA6116 | M10x30mm NUT AND BOLT SET                 | 8    |

| Rev | Date | Description |
|-----|------|-------------|
|     |      |             |
|     |      |             |
|     |      |             |

ALL DIMENSIONS IN (mm)  
UNLESS OTHERWISE SPECIFIED  
BREAK ALL SHARP EDGES

TOLERANCES  
(BEFORE PAINTING  
& AFTER PLATING)  
X ± 1.00  
X.X ± 0.50  
X.XX ± 0.10  
ANGLES ± 0.5°

**A03- EXPLODED**

CLIENT: RFA  
PROJ. NO.: TBA  
PART NO.: --  
Revision --  
Page 3

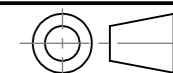
2760mm(W) x 838mm(D) - 600  
MID PANEL SET

PRODUCT CODE: **RFA6057**

Date: 28/09/2023

Drawn by PS

Checked by --



DO NOT SCALE

Scale@A3 1:20