

FINISH: P/C MATTE BLACK

**AP ASSOCIATED PROJECTS** COMMERCIAL BUILDERS,  
PROJECT MANAGERS,  
PLANNERS & DESIGNERS

T 03 8787 3000 F 03 8787 3025  
48-58 Cyber Loop, Dandenong South VIC 3175

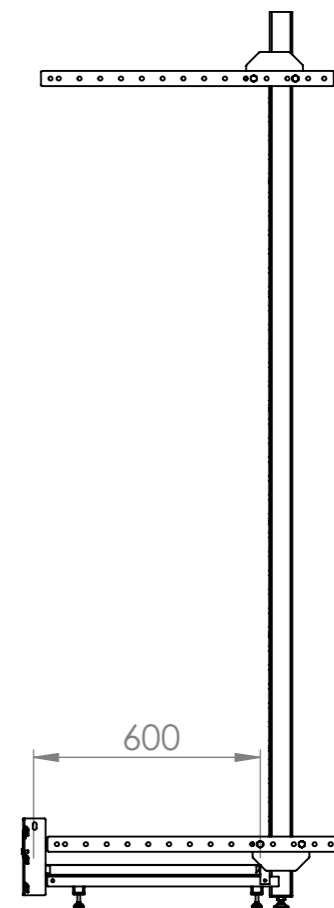
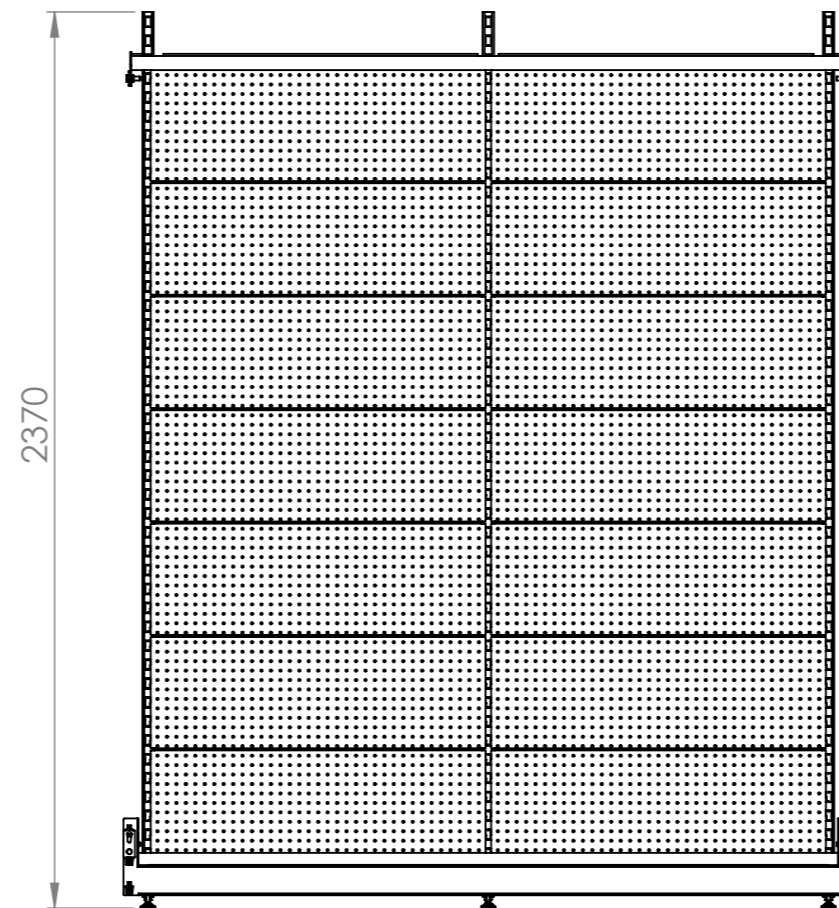
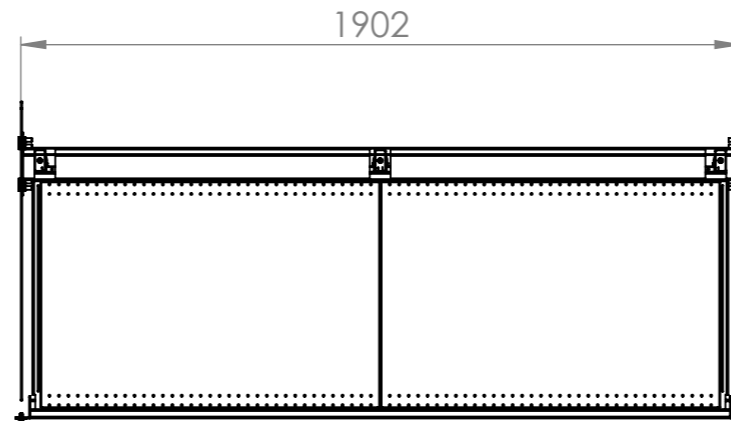
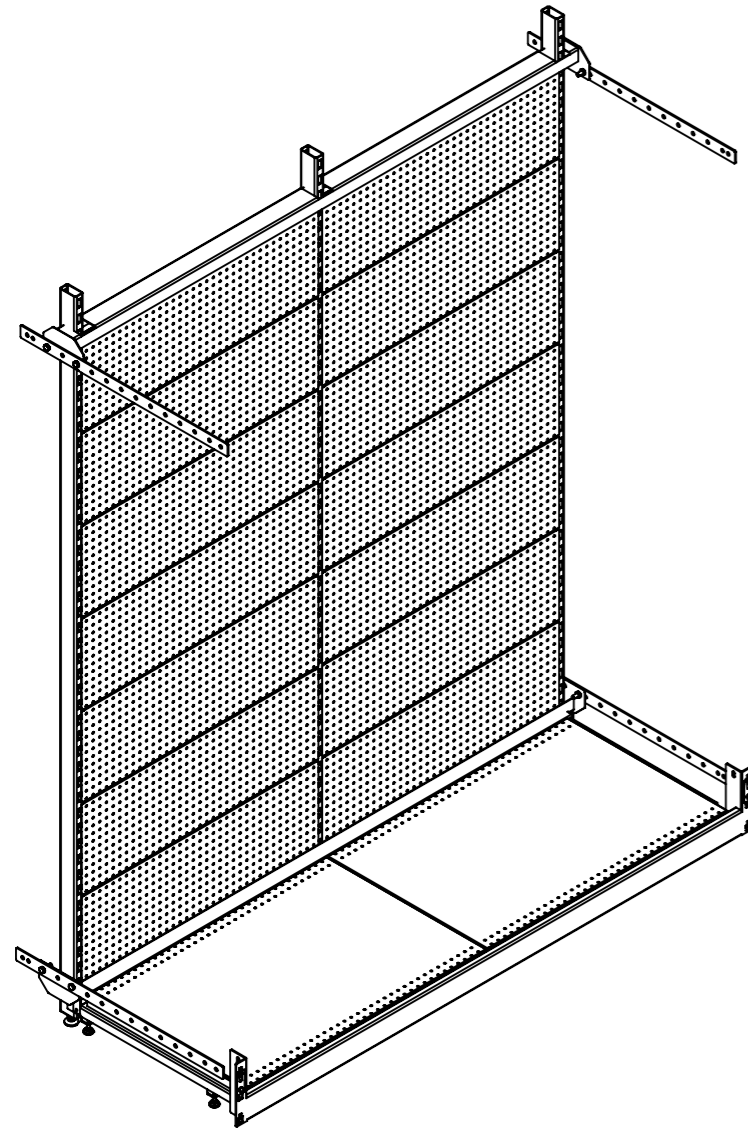
Rev	Date	Description

ALL DIMENSIONS IN (mm)  
UNLESS OTHERWISE SPECIFIED  
BREAK ALL SHARP EDGES

TOLERANCES  
(BEFORE PAINTING  
& AFTER PLATING)  
X ± 1.00  
X.X ± 0.50  
X.XX ± 0.10  
ANGLES ± 0.5°

A01- RENDER  
CLIENT: RFA  
PROJ. NO.: TBA  
PART NO.: --  
Revision --  
Page 1

1940mm(W) x 838mm(D) - 600mm MID PANEL SET		
PRODUCT CODE: <b>RFA6055</b>		
Date: 28/09/2023		DO NOT SCALE
Drawn by PS		
Checked by --		Scale@A3 1:20



Rev	Date	Description

ALL DIMENSIONS IN (mm)  
UNLESS OTHERWISE SPECIFIED  
BREAK ALL SHARP EDGES

TOLERANCES  
(BEFORE PAINTING  
& AFTER PLATING)  
X ± 1.00  
X.X ± 0.50  
X.XX ± 0.10  
ANGLES ± 0.5°

**A02- DIMENSIONS**

CLIENT: RFA  
PROJ. NO.: TBA  
PART NO.: --  
Revision --  
Page 2

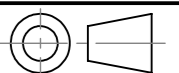
1940mm(W) x 838mm(D) - 600mm  
MID PANEL SET

PRODUCT CODE: **RFA6055**

Date: 28/09/2023

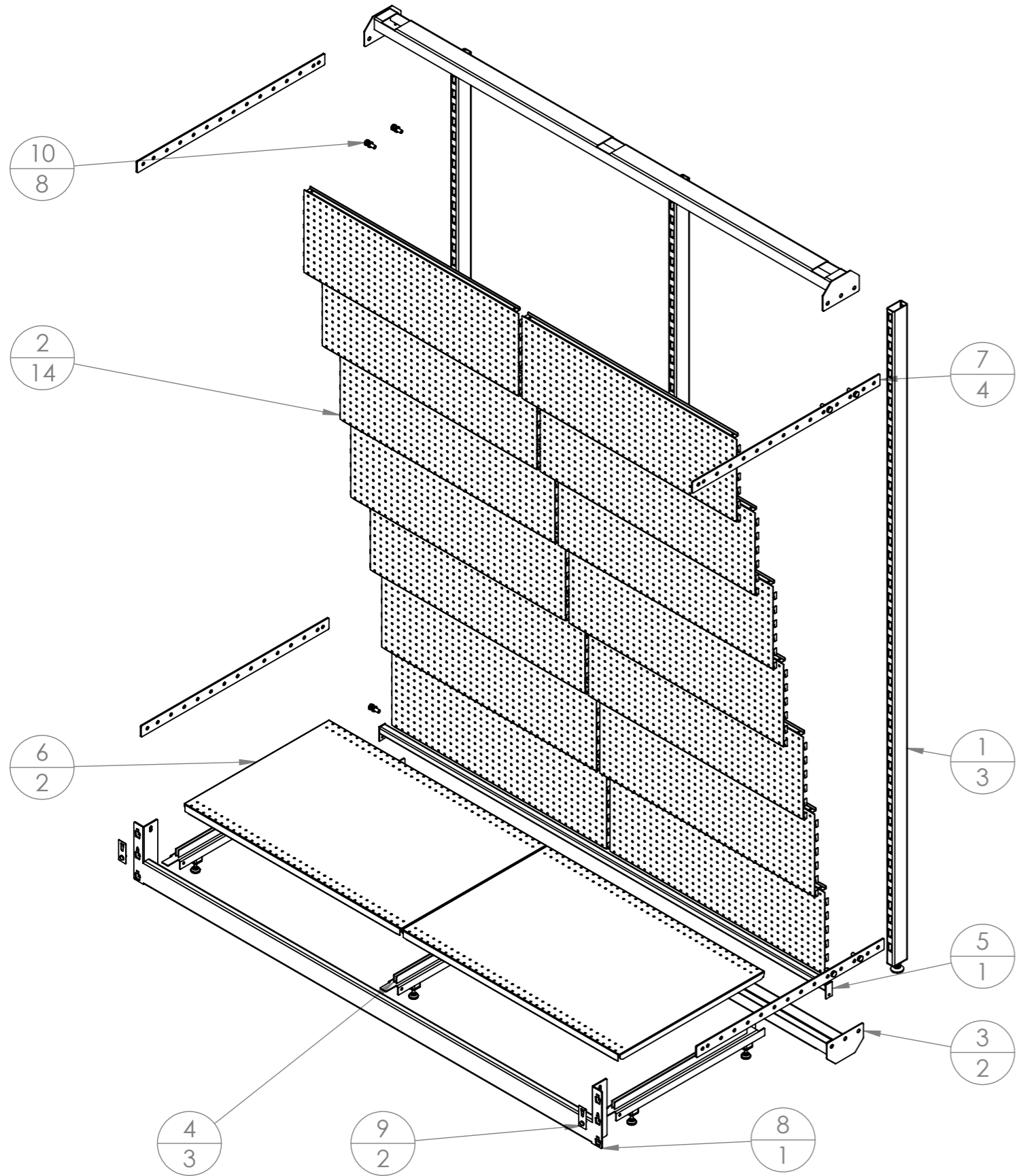
Drawn by PS

Checked by --



DO NOT SCALE

Scale@A3 1:20



ITEM NO.	PartNo	DESCRIPTION	QTY.
1	RFA2300	2400mm(H) MID PANEL POST	3
2	RFA6124	900mm(W) x 300mm(H) CLIP IN PANEL	14
3	RFA6120	2000mm(W) MID PANEL CHANNEL	2
4	RFA6126	600mm(D) STRUT BAR	3
5	RFA6131	1940mm(W) DROP IN BACK BAR	1
6	RFA6128	900mm(W) x 600mm(D) STEEL SHELF	2
7	RFA6117	838mm(W) ADJUSTABLE HOLE BAR	4
8	RFA6034	1860mm(W) x 80mm(H) x50mm(D) REVERS LUG STEP BEAM	1
9	RFA6036	SAFETY PIN	2
10	RFA6116	M10x30mm NUT AND BOLT SET	8

**AP ASSOCIATED PROJECTS** COMMERCIAL BUILDERS, PROJECT MANAGERS, PLANNERS & DESIGNERS  
 T 03 8787 3000 F 03 8787 3025  
 48-58 Cyber Loop, Dandenong South VIC 3175

Rev	Date	Description

ALL DIMENSIONS IN (mm)  
 UNLESS OTHERWISE SPECIFIED  
 BREAK ALL SHARP EDGES

TOLERANCES  
 (BEFORE PAINTING  
 & AFTER PLATING)  
 X ± 1.00  
 X.X ± 0.50  
 X.XX ± 0.10  
 ANGLES ± 0.5°

**A03- EXPLODED**  
 CLIENT: RFA  
 PROJ. NO.: TBA  
 PART NO.: --  
 Revision --  
 Page 3

1940mm(W) x 838mm(D) - 600mm  
 MID PANEL SET

PRODUCT CODE: **RFA6055**

Date: 28/09/2023

Drawn by PS

Checked by --

DO NOT SCALE

Scale@A3 1:20