

FINISH: P/C MATTE BLACK

**AP ASSOCIATED PROJECTS** COMMERCIAL BUILDERS,  
PROJECT MANAGERS,  
PLANNERS & DESIGNERS

T 03 8787 3000 F 03 8787 3025  
48-58 Cyber Loop, Dandenong South VIC 3175

Rev	Date	Description

ALL DIMENSIONS IN (mm)  
UNLESS OTHERWISE SPECIFIED  
BREAK ALL SHARP EDGES

TOLERANCES  
(BEFORE PAINTING  
& AFTER PLATING)  
X ± 1.00  
X.X ± 0.50  
X.XX ± 0.10  
ANGLES ± 0.5°

A01- RENDER

CLIENT: RFA

PROJ. NO.: TBA

PART NO.: --

Revision --

Page 1

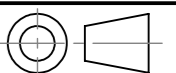
2760mm(W) x 180mm(H) x 50mm(D)  
HEAVY DUTY 5 LUG BOX BEAM

PRODUCT CODE: **RFA6053**

Date: 21/09/2023

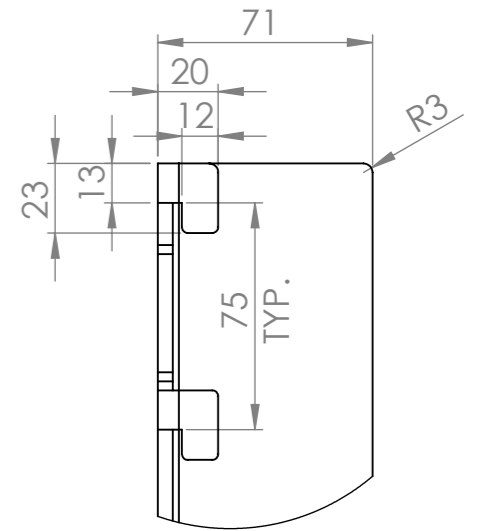
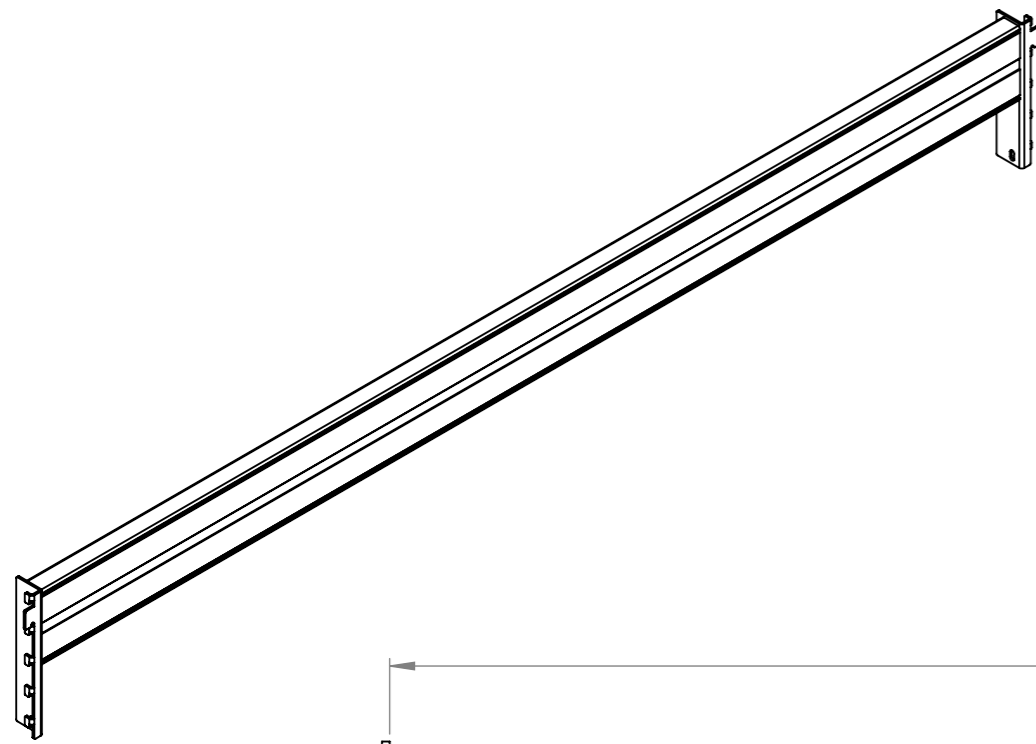
Drawn by PS

Checked by --

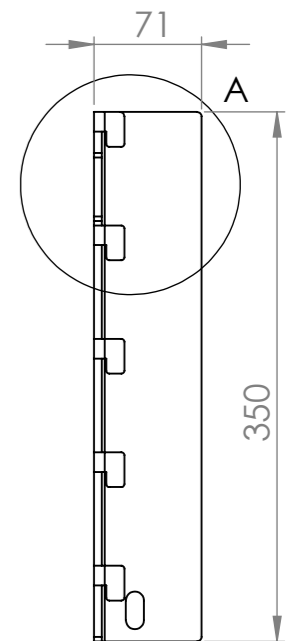
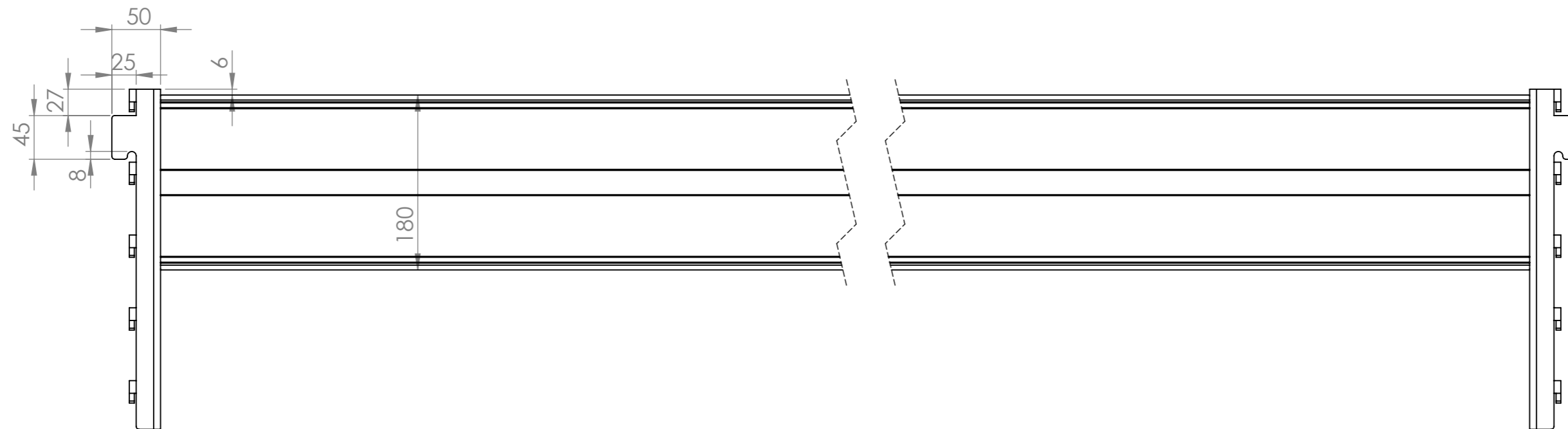
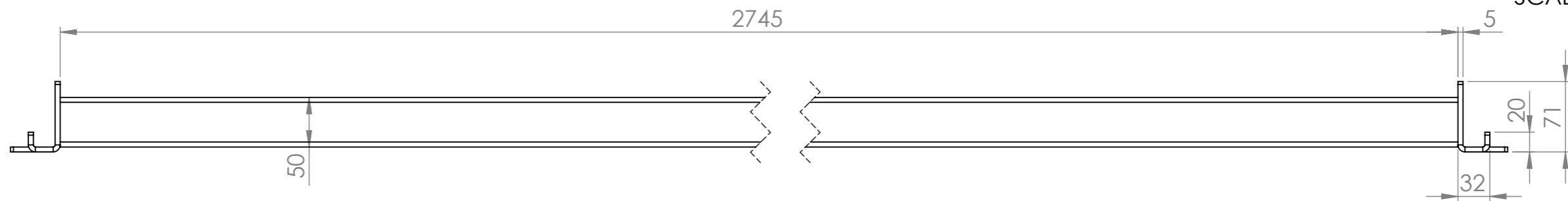


DO NOT SCALE

Scale@A3 1:20



DETAIL A  
SCALE 2 : 5



Rev	Date	Description

ALL DIMENSIONS IN (mm)  
UNLESS OTHERWISE SPECIFIED  
BREAK ALL SHARP EDGES

TOLERANCES  
(BEFORE PAINTING  
& AFTER PLATING)  
X ± 1.00  
X.X ± 0.50  
X.XX ± 0.10  
ANGLES ± 0.5°

**A02- DIMENSIONS**

CLIENT: RFA  
PROJ. NO.: TBA  
PART NO.: --  
Revision --  
Page 2

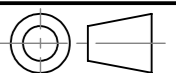
2760mm(W) x 180mm(H) x 50mm(D)  
HEAVY DUTY 5 LUG BOX BEAM

PRODUCT CODE: **RFA6053**

Date: 21/09/2023

Drawn by PS

Checked by --



DO NOT SCALE

Scale@A3 1:5