



FINISH: P/C MATTE BLACK

**AP ASSOCIATED PROJECTS** COMMERCIAL BUILDERS,  
PROJECT MANAGERS,  
PLANNERS & DESIGNERS

T 03 8787 3000 F 03 8787 3025  
48-58 Cyber Loop, Dandenong South VIC 3175

Rev	Date	Description

ALL DIMENSIONS IN (mm)  
UNLESS OTHERWISE SPECIFIED  
BREAK ALL SHARP EDGES

TOLERANCES  
(BEFORE PAINTING  
& AFTER PLATING)  
X ± 1.00  
X.X ± 0.50  
X.XX ± 0.10  
ANGLES ± 0.5°

A01- RENDER

CLIENT: RFA

PROJ. NO.: TBA

PART NO.: --

Revision --

Page 1

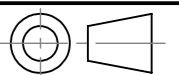
4000mm(H) x 1220mm(D)  
HEAVY DUTY PALLET FRAME

PRODUCT CODE: **RFA6049**

Date: 27/09/2023

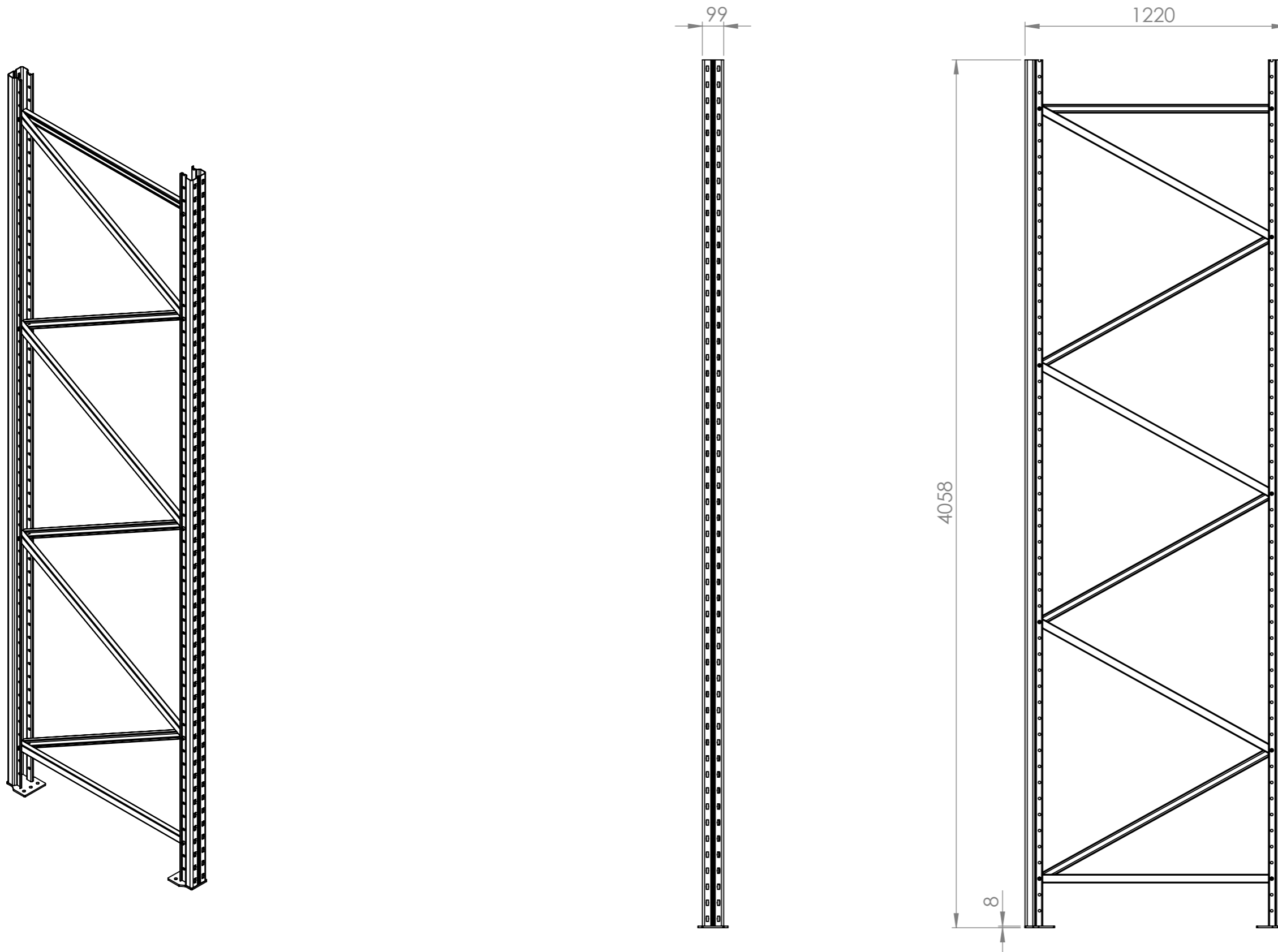
Drawn by PS

Checked by --



DO NOT SCALE

Scale@A3 1:20

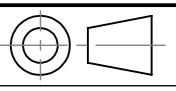


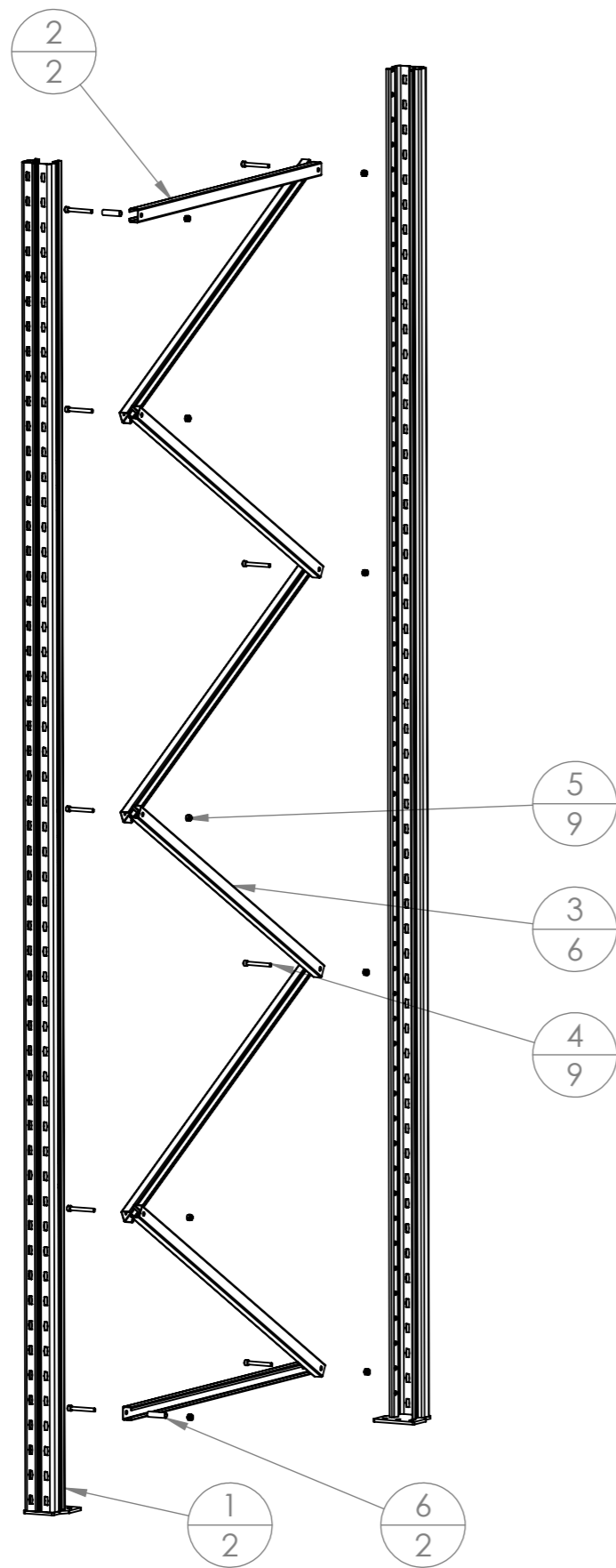
Rev	Date	Description

ALL DIMENSIONS IN (mm)  
UNLESS OTHERWISE SPECIFIED  
BREAK ALL SHARP EDGES

TOLERANCES  
(BEFORE PAINTING  
& AFTER PLATING)  
X ± 1.00  
X.X ± 0.50  
X.XX ± 0.10  
ANGLES ± 0.5°

**A02- DIMENSIONS**  
CLIENT: RFA  
PROJ. NO.: TBA  
PART NO.: --  
Revision --  
Page 2

4000mm(H) x 1220mm(D) HEAVY DUTY PALLET FRAME		
-		
PRODUCT CODE: <b>RFA6049</b>	Date: 27/09/2023	DO NOT SCALE
Drawn by PS	Checked by --	
Scale@A3 1:20		



ITEM NO.	PartNo	DESCRIPTION	QTY.
1	RFA6141	4050H HEAVY DUTY PALLET POST UPRIGHT	2
2	RFA6146	1220mm(D) HEAVY DUTY HORIZONTAL BRACE	2
3	RFA6147	1220mm(D) HEAVY DUTY DIAGONAL BRACE	6
4		M10x80mm SHC BOLT	9
5		M10 NUT	9
6	RFA6149	SPACER FOR M10 BOLT	2

Rev	Date	Description

ALL DIMENSIONS IN (mm)  
 UNLESS OTHERWISE SPECIFIED  
 BREAK ALL SHARP EDGES

TOLERANCES  
 (BEFORE PAINTING  
 & AFTER PLATING)  
 X ± 1.00  
 X.X ± 0.50  
 X.XX ± 0.10  
 ANGLES ± 0.5°

**A03- EXPLODED**  
 CLIENT: RFA  
 PROJ. NO.: TBA  
 PART NO.: --  
 Revision --  
 Page 3

4000mm(H) x 1220mm(D) HEAVY DUTY PALLET FRAME		
PRODUCT CODE: <b>RFA6049</b>		
Date:	27/09/2023	DO NOT SCALE Scale@A3 1:20
Drawn by	PS	
Checked by	--	