

FINISH: P/C MATTE BLACK

AP ASSOCIATED PROJECTS COMMERCIAL BUILDERS,
PROJECT MANAGERS,
PLANNERS & DESIGNERS

T 03 8787 3000 F 03 8787 3025
48-58 Cyber Loop, Dandenong South VIC 3175

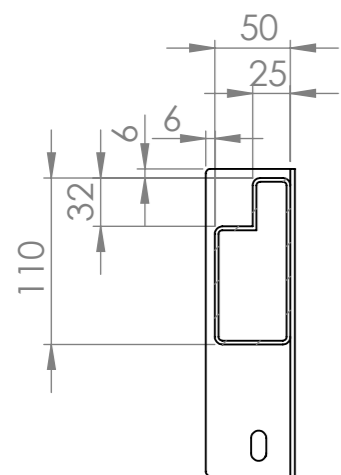
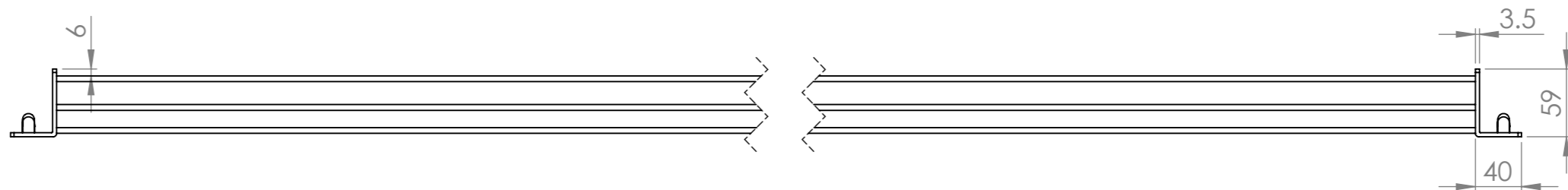
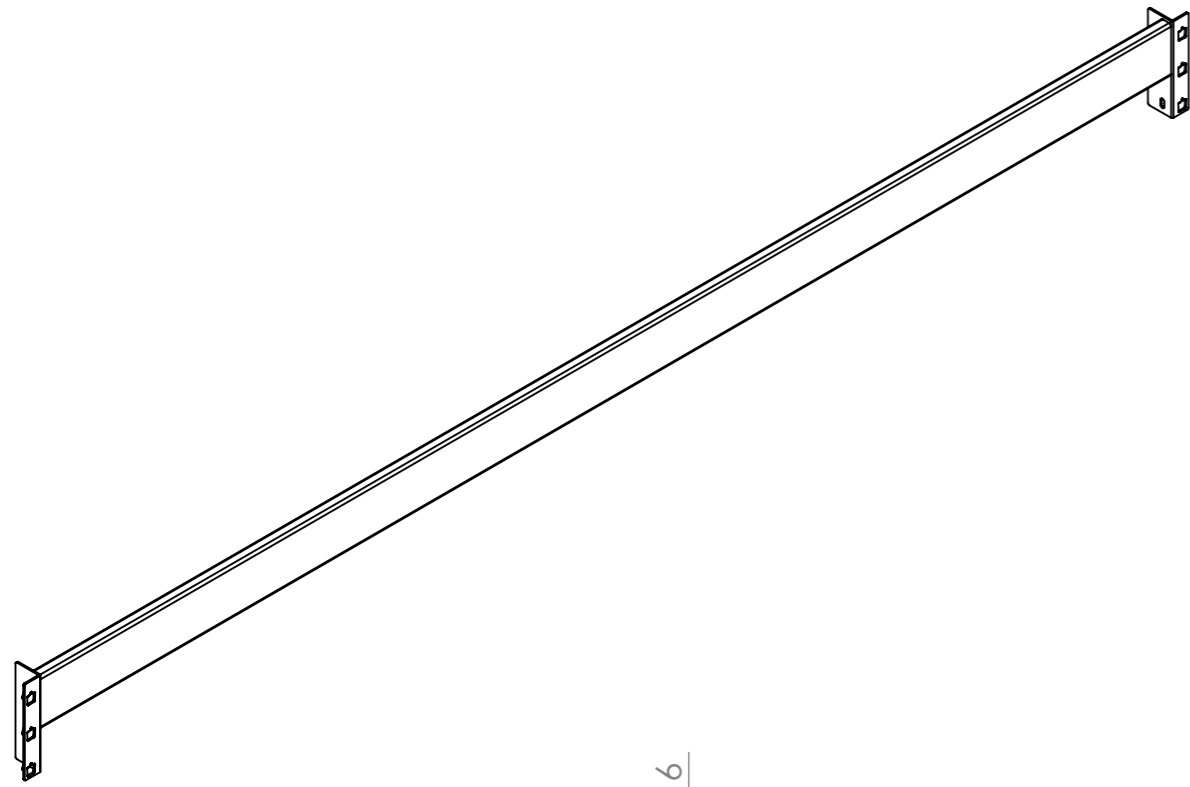
Rev	Date	Description

ALL DIMENSIONS IN (mm)
UNLESS OTHERWISE SPECIFIED
BREAK ALL SHARP EDGES

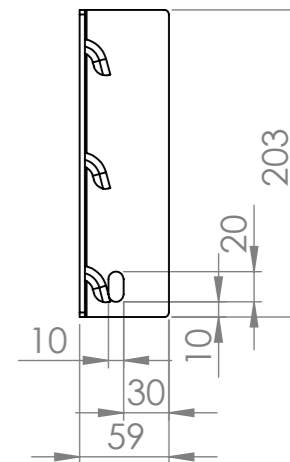
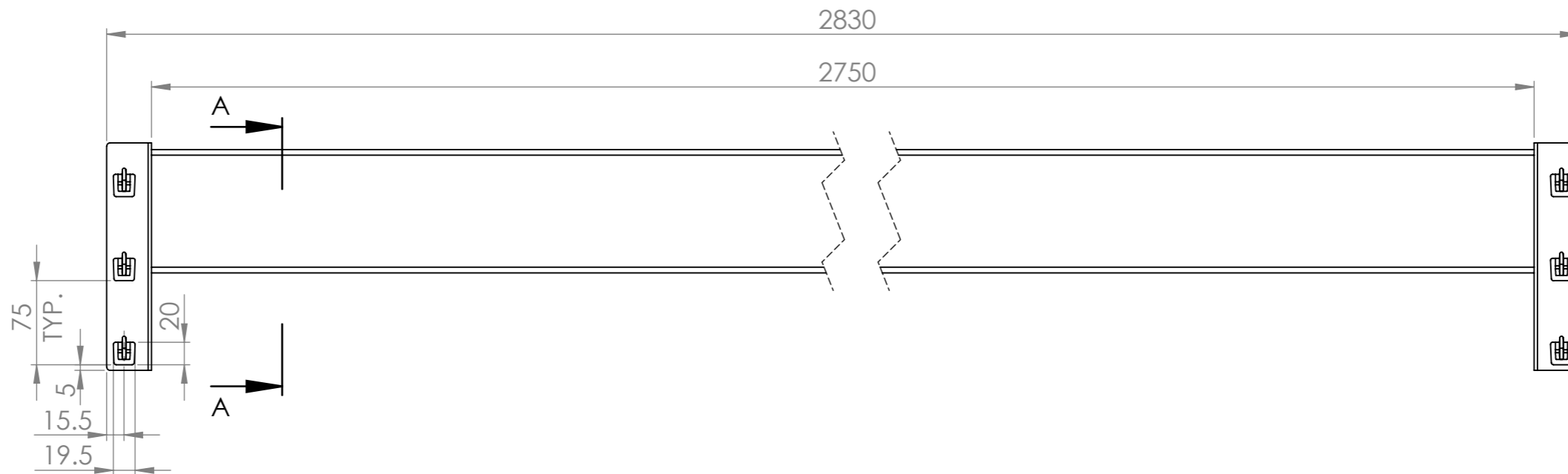
TOLERANCES
(BEFORE PAINTING
& AFTER PLATING)
X ± 1.00
X.X ± 0.50
X.XX ± 0.10
ANGLES ± 0.5°

A01- RENDER
CLIENT: RFA
PROJ. NO.: TBA
PART NO.: --
Revision --
Page 1

2760mm(W) x 110mm(H) x 50mm(D) STEP BEAM - 1.5 TONNE CAPACITY		
PRODUCT CODE: RFA6032		
Date: 12/09/2023		DO NOT SCALE
Drawn by PS		
Checked by --		Scale@A3 1:10



SECTION A-A



Rev	Date	Description

ALL DIMENSIONS IN (mm)
UNLESS OTHERWISE SPECIFIED
BREAK ALL SHARP EDGES

TOLERANCES
(BEFORE PAINTING
& AFTER PLATING)
X ± 1.00
X.X ± 0.50
X.XX ± 0.10
ANGLES ± 0.5°

A02- DIMENSIONS

CLIENT: RFA
PROJ. NO.: TBA
PART NO.: --
Revision --
Page 2

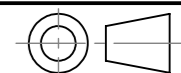
2760mm(W) x 110mm(H) x 50mm(D)
STEP BEAM - 1.5 TONNE CAPACITY

PRODUCT CODE: **RFA6032**

Date: 12/09/2023

Drawn by PS

Checked by --



DO NOT SCALE

Scale@A3 1:5