



FINISH: P/C MATTE BLACK

Rev	Date	Description

ALL DIMENSIONS IN (mm)  
UNLESS OTHERWISE SPECIFIED  
BREAK ALL SHARP EDGES

TOLERANCES  
(BEFORE PAINTING  
& AFTER PLATING)  
X ± 1.00  
X.X ± 0.50  
X.XX ± 0.10  
ANGLES ± 0.5°

A01- RENDER

CLIENT: RFA

PROJ. NO.: TBA

PART NO.: --

Revision --

Page 1

6000mm(H) x 1220mm(D)  
FRAME

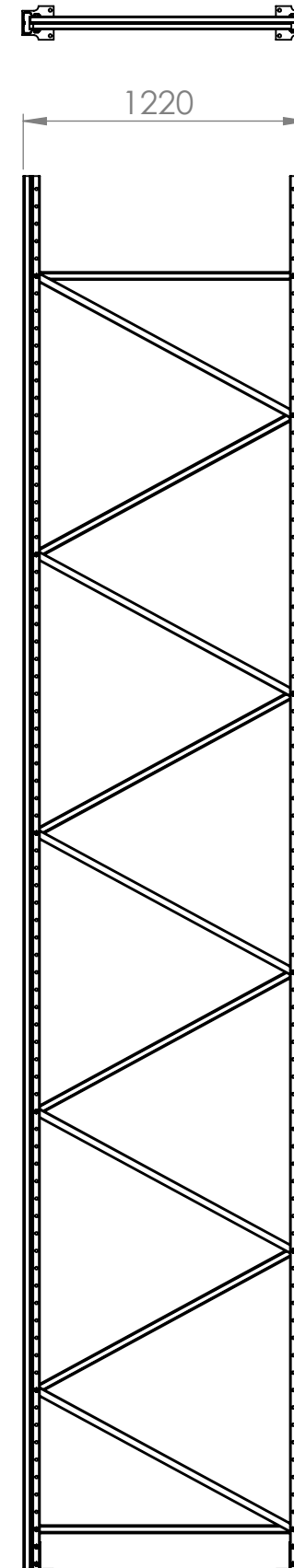
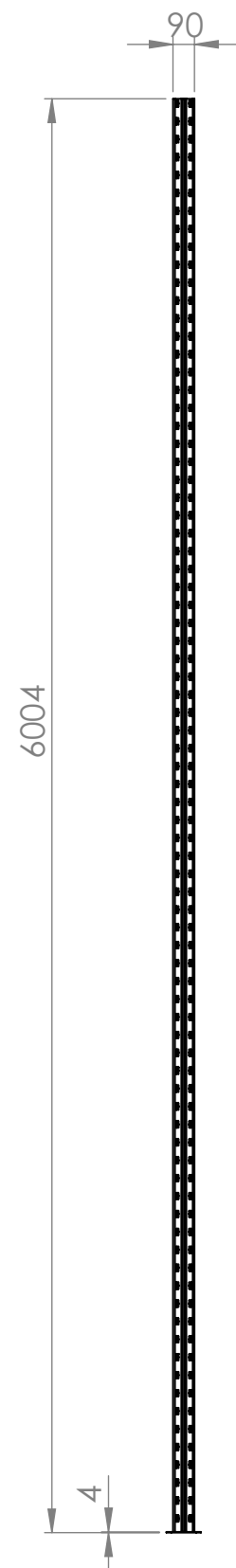
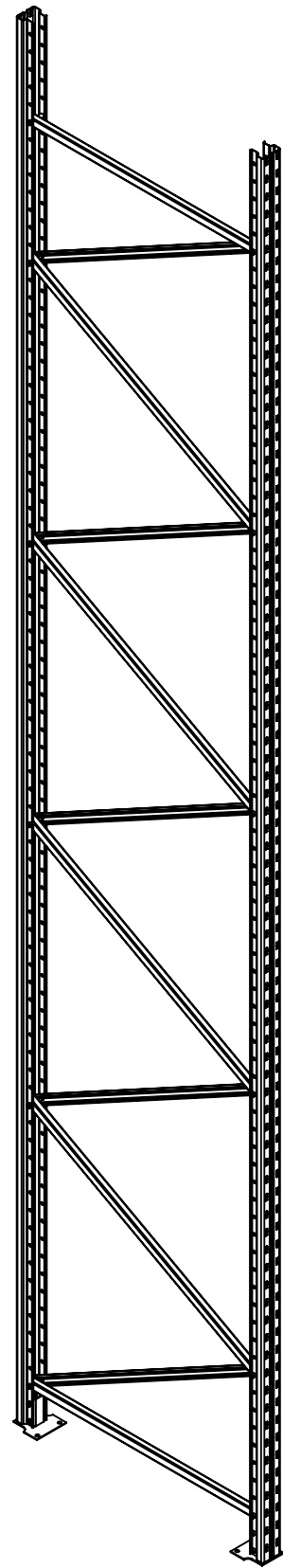
PRODUCT CODE: RFA6029

Date: 25/07/2023

Drawn by PS

Checked by --

DO NOT SCALE  
Scale@A3 1:20



Rev	Date	Description

ALL DIMENSIONS IN (mm)  
UNLESS OTHERWISE SPECIFIED  
BREAK ALL SHARP EDGES

TOLERANCES  
(BEFORE PAINTING  
& AFTER PLATING)  
X ± 1.00  
X.X ± 0.50  
X.XX ± 0.10  
ANGLES ± 0.5°

**A02- DIMENSIONS**

CLIENT: RFA  
PROJ. NO.: TBA  
PART NO.: --  
Revision --  
Page 2

6000mm(H) x 1220mm(D)  
FRAME

PRODUCT CODE: **RFA6029**

Date: 25/07/2023

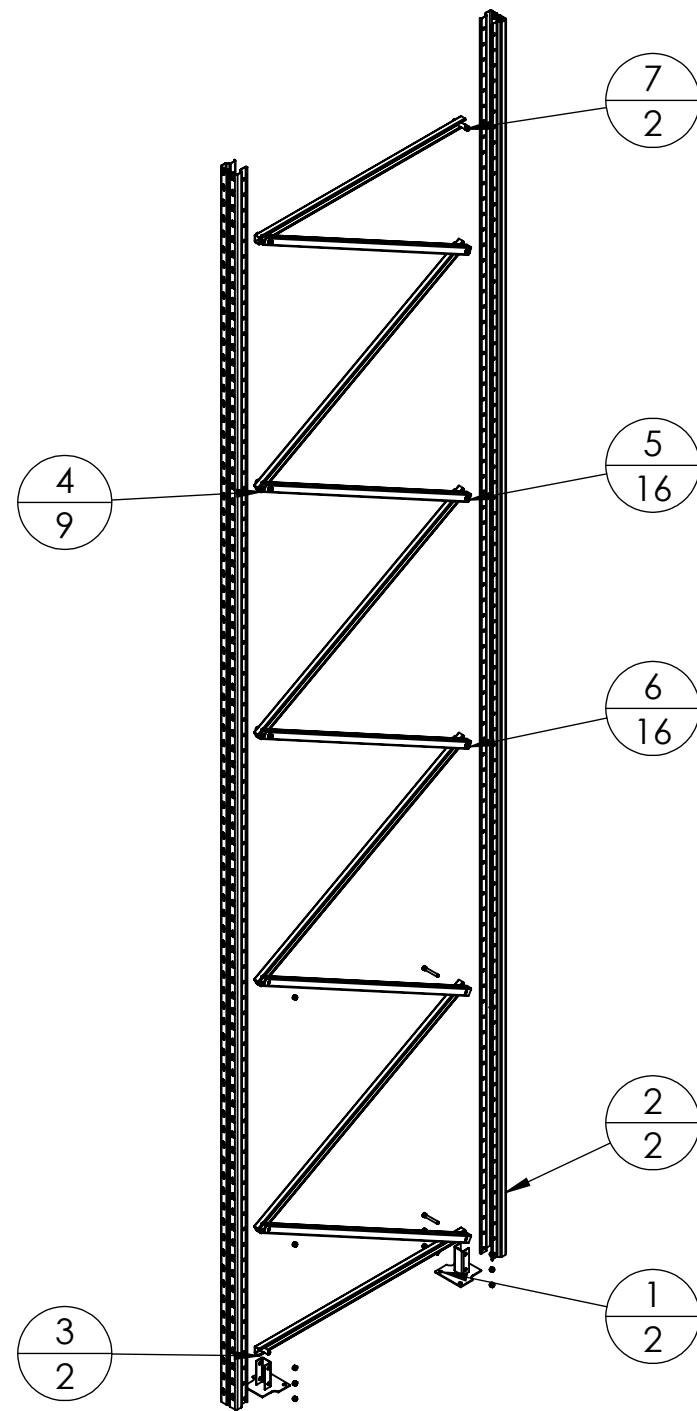
Drawn by PS

Checked by --



DO NOT SCALE

Scale@A3 1:30



ITEM NO.	PartNo	DESCRIPTION	QTY.
1	RFA6105	FOOT FOR PALLET RACK UPRIGHT	2
2	RFA6104	6000mm(H) PALLET RACK UPRIGHT-POST	2
3	RFA6110	1220mm(D) RACK - HORIZONTAL BRACE	2
4	RFA6111	1220mm(D) RACK - DIAGONAL BRACE	9
5	RFA6114	M10x65mm BOLT - FOR BRACING	16
6	RFA6114	M10 NUT	16
7	RFA6115	M10 SPACER FOR BOLT	2

Rev	Date	Description

ALL DIMENSIONS IN (mm)  
UNLESS OTHERWISE SPECIFIED  
BREAK ALL SHARP EDGES

TOLERANCES  
(BEFORE PAINTING  
& AFTER PLATING)  
X ± 1.00  
X.X ± 0.50  
X.XX ± 0.10  
ANGLES ± 0.5°

A03- EXPLODED

CLIENT: RFA

PROJ. NO.: TBA

PART NO.: --

Revision --

Page 3

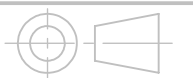
6000mm(H) x 1220mm(D)  
FRAME

PRODUCT CODE: RFA6029

Date: 25/07/2023

Drawn by PS

Checked by --



DO NOT SCALE

Scale@A3 1:30