



FINISH: P/C MATTE BLACK

Rev	Date	Description

ALL DIMENSIONS IN (mm)  
UNLESS OTHERWISE SPECIFIED  
BREAK ALL SHARP EDGES

TOLERANCES  
(BEFORE PAINTING  
& AFTER PLATING)  
X ± 1.00  
X.X ± 0.50  
X.XX ± 0.10  
ANGLES ± 0.5°

A01- RENDER

CLIENT: RFA

PROJ. NO.: TBA

PART NO.: --

Revision --

Page 1

6000mm(H) x 1067mm(D)  
PALLET RACKING

PRODUCT CODE: RFA6026

Date: 24/07/2023

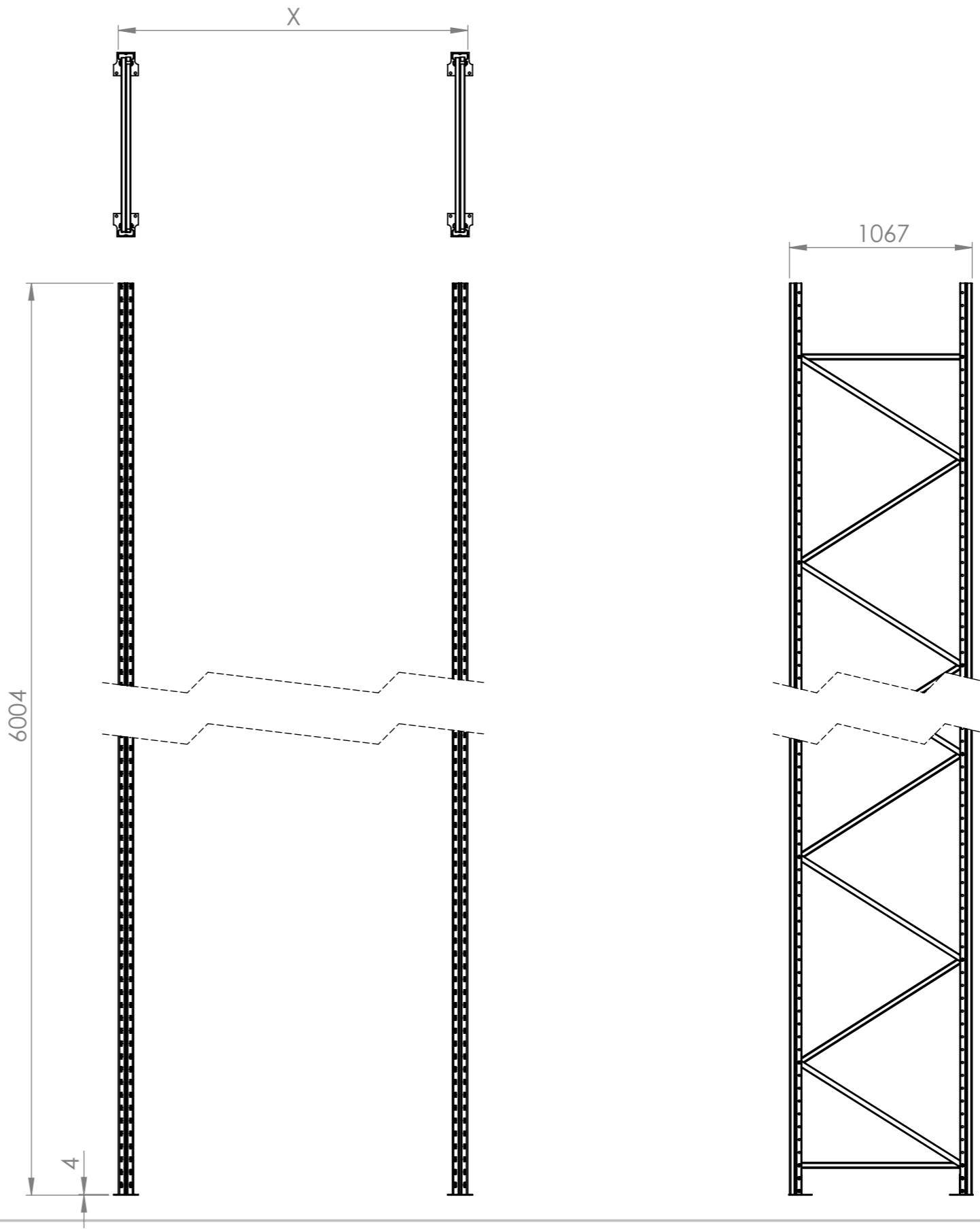
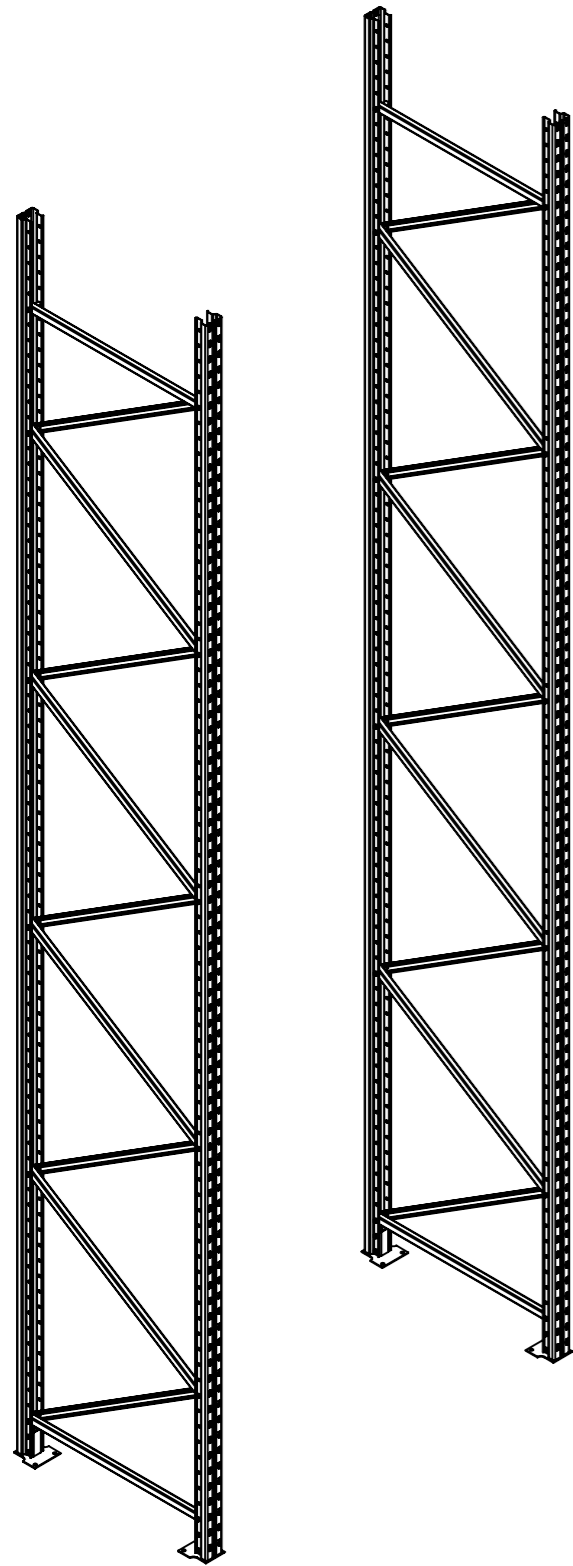
Drawn by PS

Checked by --



DO NOT SCALE

Scale@A3 1:20



Rev	Date	Description

ALL DIMENSIONS IN (mm)  
UNLESS OTHERWISE SPECIFIED  
BREAK ALL SHARP EDGES

TOLERANCES  
(BEFORE PAINTING  
& AFTER PLATING)  
X ± 1.00  
X.X ± 0.50  
X.XX ± 0.10  
ANGLES ± 0.5°

**A02- DIMENSIONS**

CLIENT: RFA  
PROJ. NO.: TBA  
PART NO.: --  
Revision --  
Page 2

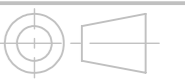
6000mm(H) x 1067mm(D)  
PALLET RACKING

PRODUCT CODE: **RFA6026**

Date: 24/07/2023

Drawn by PS

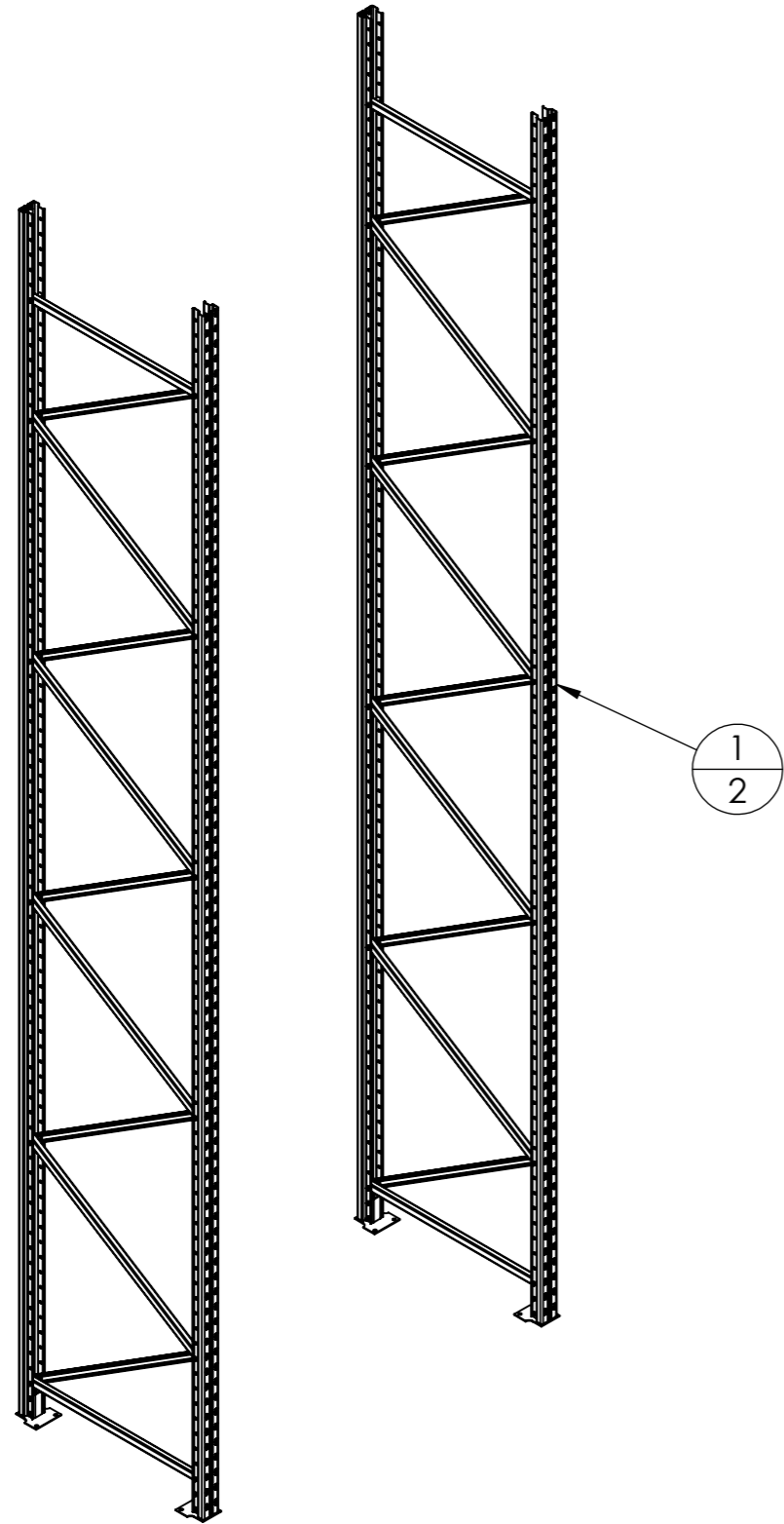
Checked by --



DO NOT SCALE

Scale@A3 1:30

ITEM NO.	PartNo	DESCRIPTION	QTY.
1	RFA6027	6000mm(H) x 1067mm(D) FRAME	2



Rev	Date	Description

ALL DIMENSIONS IN (mm)  
UNLESS OTHERWISE SPECIFIED  
BREAK ALL SHARP EDGES

TOLERANCES  
(BEFORE PAINTING  
& AFTER PLATING)  
X ± 1.00  
X.X ± 0.50  
X.XX ± 0.10  
ANGLES ± 0.5°

**A03- EXPLODED**

CLIENT: RFA

PROJ. NO.: TBA

PART NO.: --

Revision --

Page 3

6000mm(H) x 1067mm(D)  
PALLET RACKING

PRODUCT CODE: **RFA6026**

Date: 24/07/2023

Drawn by PS

Checked by --



DO NOT SCALE

Scale@A3 1:30