

**FINISH: P/C MATTE BLACK**

| Rev | Date | Description |
|-----|------|-------------|
|     |      |             |
|     |      |             |
|     |      |             |
|     |      |             |

ALL DIMENSIONS IN (mm)  
UNLESS OTHERWISE SPECIFIED  
BREAK ALL SHARP EDGES

TOLERANCES  
(BEFORE PAINTING  
& AFTER PLATING)  
X ± 1.00  
X.X ± 0.50  
X.XX ± 0.10  
ANGLES ± 0.5°

**A01- RENDER**

**CLIENT: RFA**

**PROJ. NO.: TBA**

**PART NO.: --**

**Revision --**

**Page 1**

**2100mm(H) x 838mm(D)**  
**FRAME**

**PRODUCT CODE: RFA6001**

**Date: 15/06/2023**

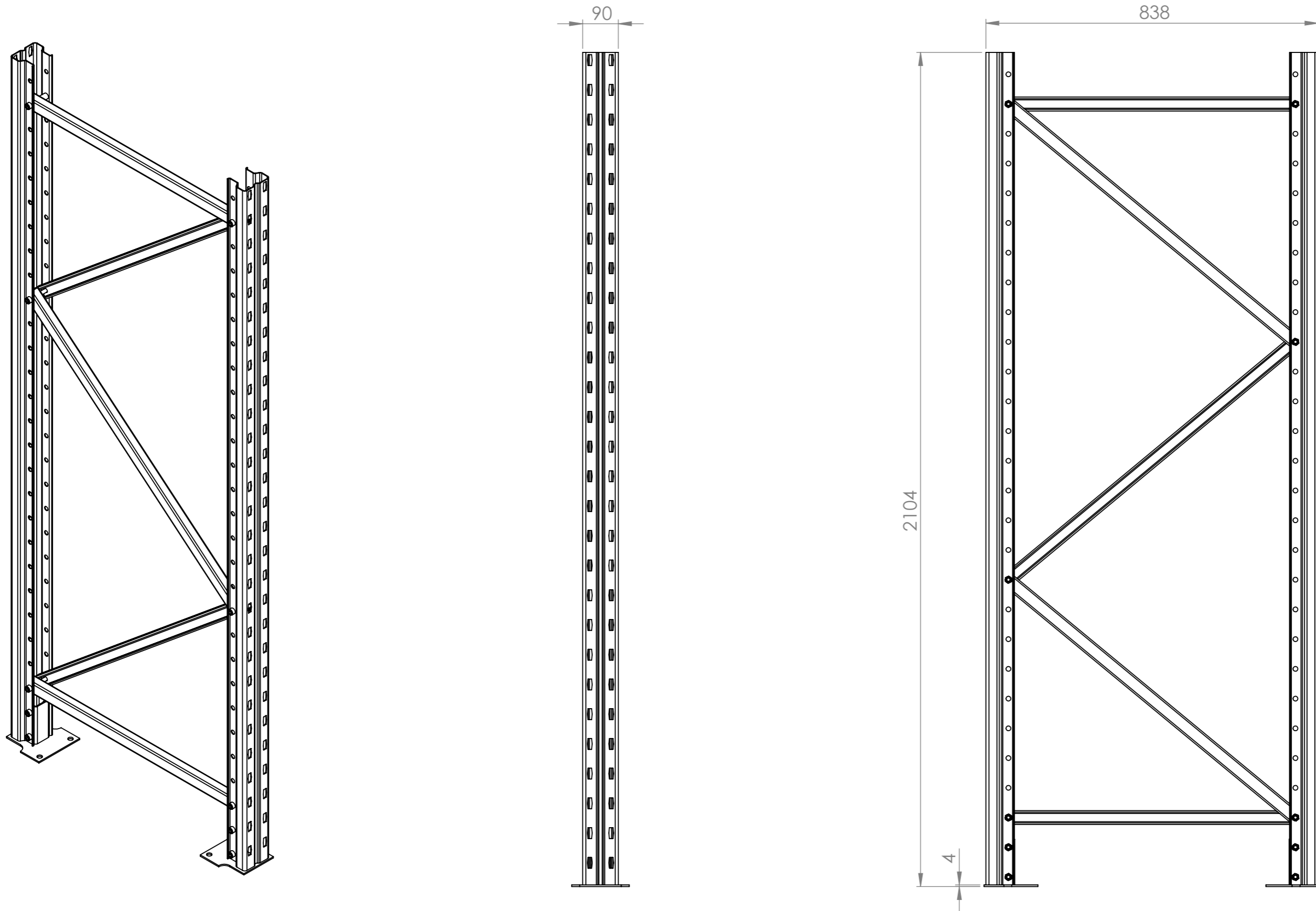
**Drawn by PS**

**Checked by --**



**DO NOT SCALE**

**Scale@A3 1:10**



| Rev | Date | Description |
|-----|------|-------------|
|     |      |             |
|     |      |             |
|     |      |             |
|     |      |             |

ALL DIMENSIONS IN (mm)  
UNLESS OTHERWISE SPECIFIED  
BREAK ALL SHARP EDGES

TOLERANCES  
(BEFORE PAINTING  
& AFTER PLATING)  
X ± 1.00  
X.X ± 0.50  
X.XX ± 0.10  
ANGLES ± 0.5°

**A02- DIMENSIONS**

CLIENT: RFA  
PROJ. NO.: TBA  
PART NO.: --  
Revision --  
Page 2

2100mm(H) x 838mm(D)  
FRAME

PRODUCT CODE: **RFA6001**

Date: 15/06/2023

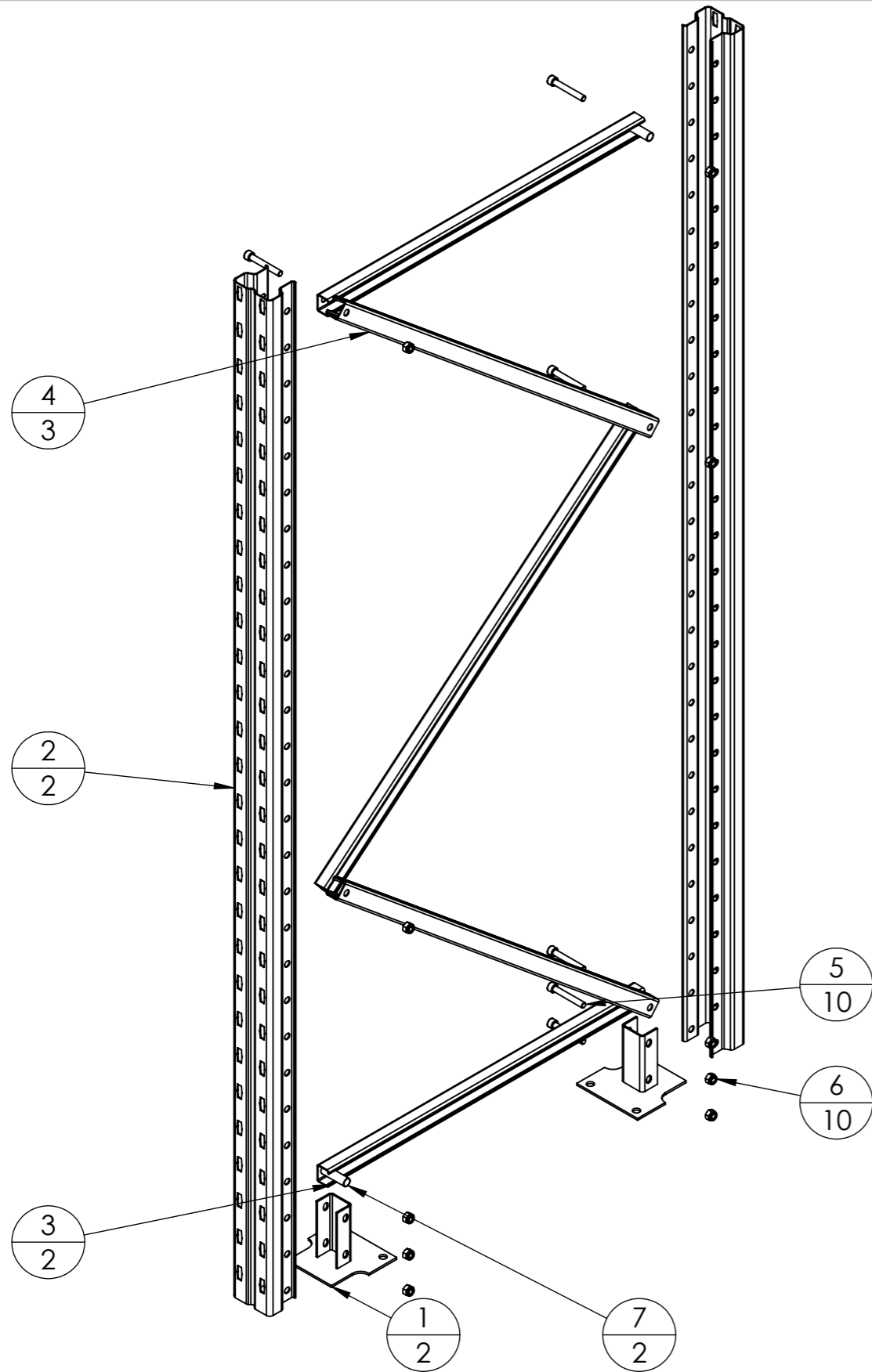
Drawn by PS

Checked by --



DO NOT SCALE

Scale@A3 1:10



| ITEM NO. | PartNo  | DESCRIPTION                        | QTY. |
|----------|---------|------------------------------------|------|
| 1        | RFA6105 | FOOT FOR PALLET RACK UPRIGHT       | 2    |
| 2        | RFA6100 | 2100mm(H) PALLET RACK UPRIGHT-POST | 2    |
| 3        | RFA6106 | 838mm(D) RACK - HORIZONTAL BRACE   | 2    |
| 4        | RFA6107 | 838mm(D) RACK - DIAGONAL BRACE     | 3    |
| 5        | RFA6114 | M10x65mm BOLT - FOR BRACING        | 10   |
| 6        | RFA6114 | M10 NUT                            | 10   |
| 7        | RFA6115 | M10 SPACER FOR BOLT                | 2    |

| Rev | Date | Description |
|-----|------|-------------|
|     |      |             |
|     |      |             |
|     |      |             |

ALL DIMENSIONS IN (mm)  
UNLESS OTHERWISE SPECIFIED  
BREAK ALL SHARP EDGES

TOLERANCES  
(BEFORE PAINTING  
& AFTER PLATING)  
X ± 1.00  
X.X ± 0.50  
X.XX ± 0.10  
ANGLES ± 0.5°

A03- EXPLODED

CLIENT: RFA

PROJ. NO.: TBA

PART NO.: --

Revision --

Page 3

2100mm(H) x 838mm(D)  
FRAME

PRODUCT CODE: RFA6001

Date: 15/06/2023

Drawn by PS

Checked by --



DO NOT SCALE

Scale@A3 1:10