

FINISH: P/C MATTE BLACK

AP ASSOCIATED PROJECTS COMMERCIAL BUILDERS,
PROJECT MANAGERS,
PLANNERS & DESIGNERS

T 03 8787 3000 F 03 8787 3025
48-58 Cyber Loop, Dandenong South VIC 3175

Rev	Date	Description

ALL DIMENSIONS IN (mm)
UNLESS OTHERWISE SPECIFIED
BREAK ALL SHARP EDGES

TOLERANCES
(BEFORE PAINTING
& AFTER PLATING)
X ± 1.00
X.X ± 0.50
X.XX ± 0.10
ANGLES ± 0.5°

A01- RENDER

CLIENT: RFA

PROJ. NO.: TBA

PART NO.: --

Revision --

Page 1

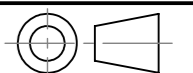
SHELF KIT - STEEL
W900 x D350

PRODUCT CODE: **RFA2910**

Date: 25/02/2025

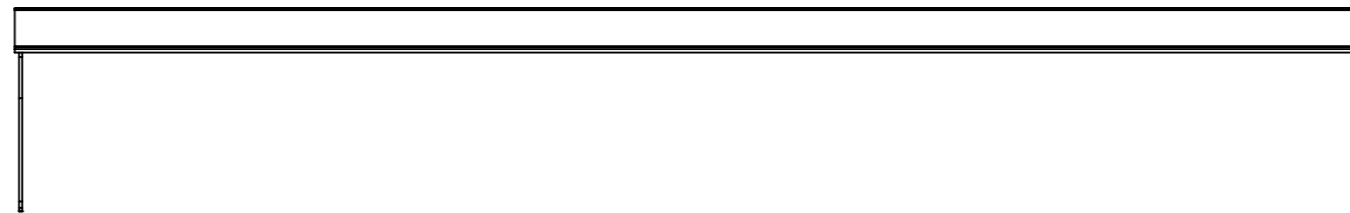
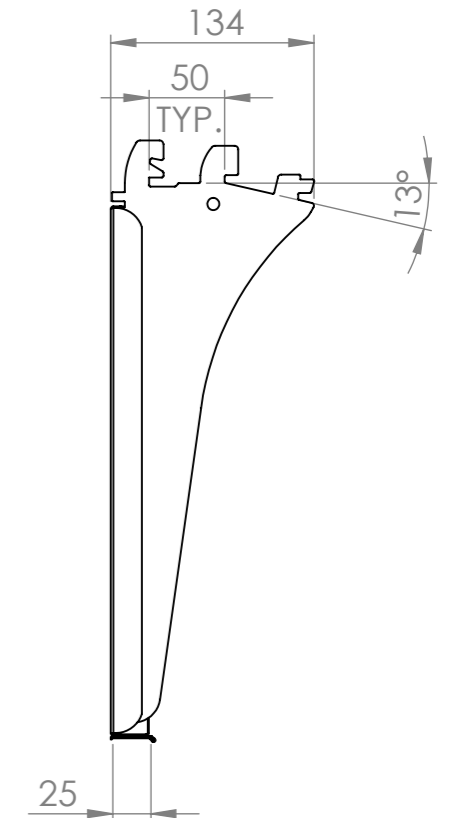
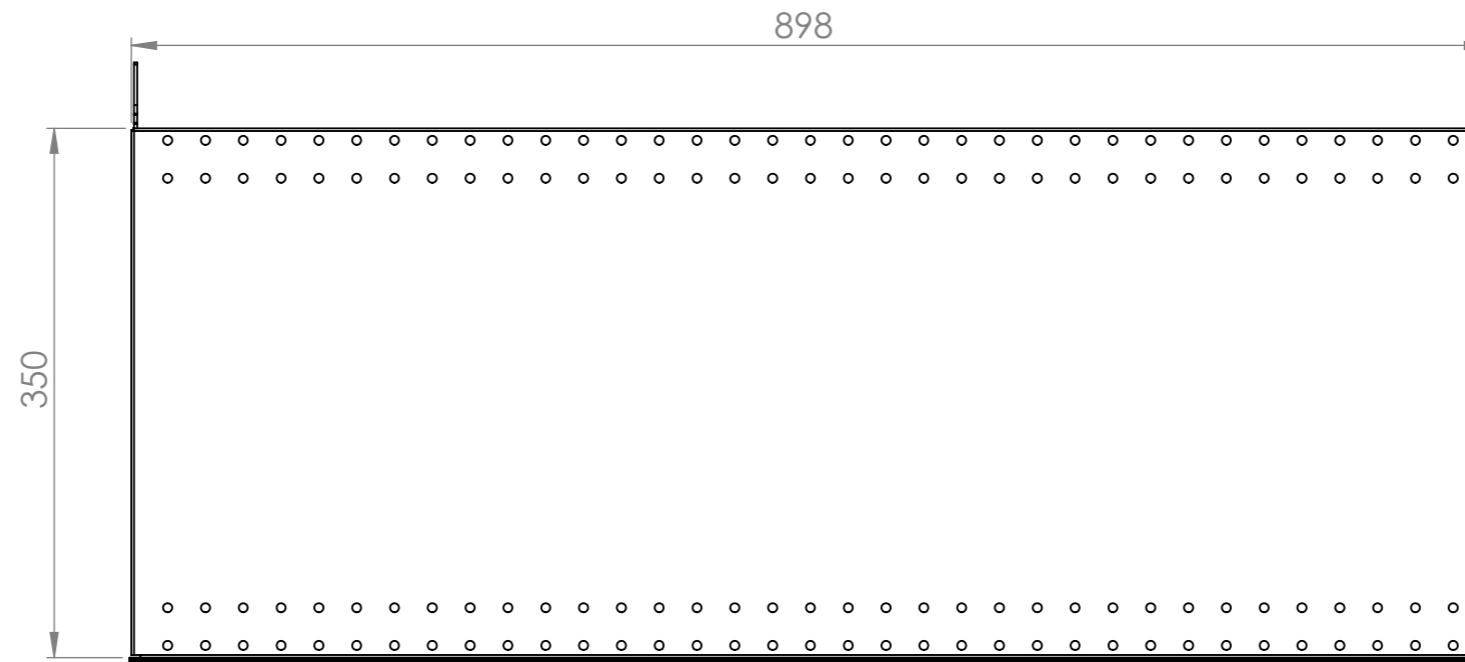
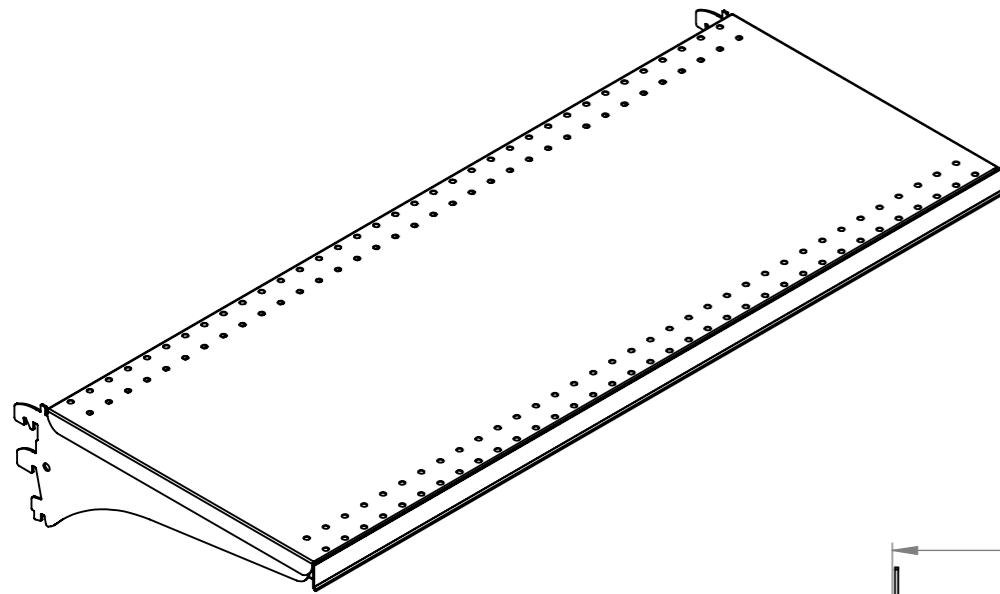
Drawn by PS

Checked by --



DO NOT SCALE

Scale@A3 1:10



Rev	Date	Description

ALL DIMENSIONS IN (mm)
UNLESS OTHERWISE SPECIFIED
BREAK ALL SHARP EDGES

TOLERANCES
(BEFORE PAINTING
& AFTER PLATING)
X ± 1.00
X.X ± 0.50
X.XX ± 0.10
ANGLES ± 0.5°

A02- DIMENSIONS

CLIENT: RFA
PROJ. NO.: TBA
PART NO.: --
Revision --
Page 2

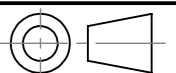
SHELF KIT - STEEL
W900 x D350

PRODUCT CODE: **RFA2910**

Date: 25/02/2025

Drawn by PS

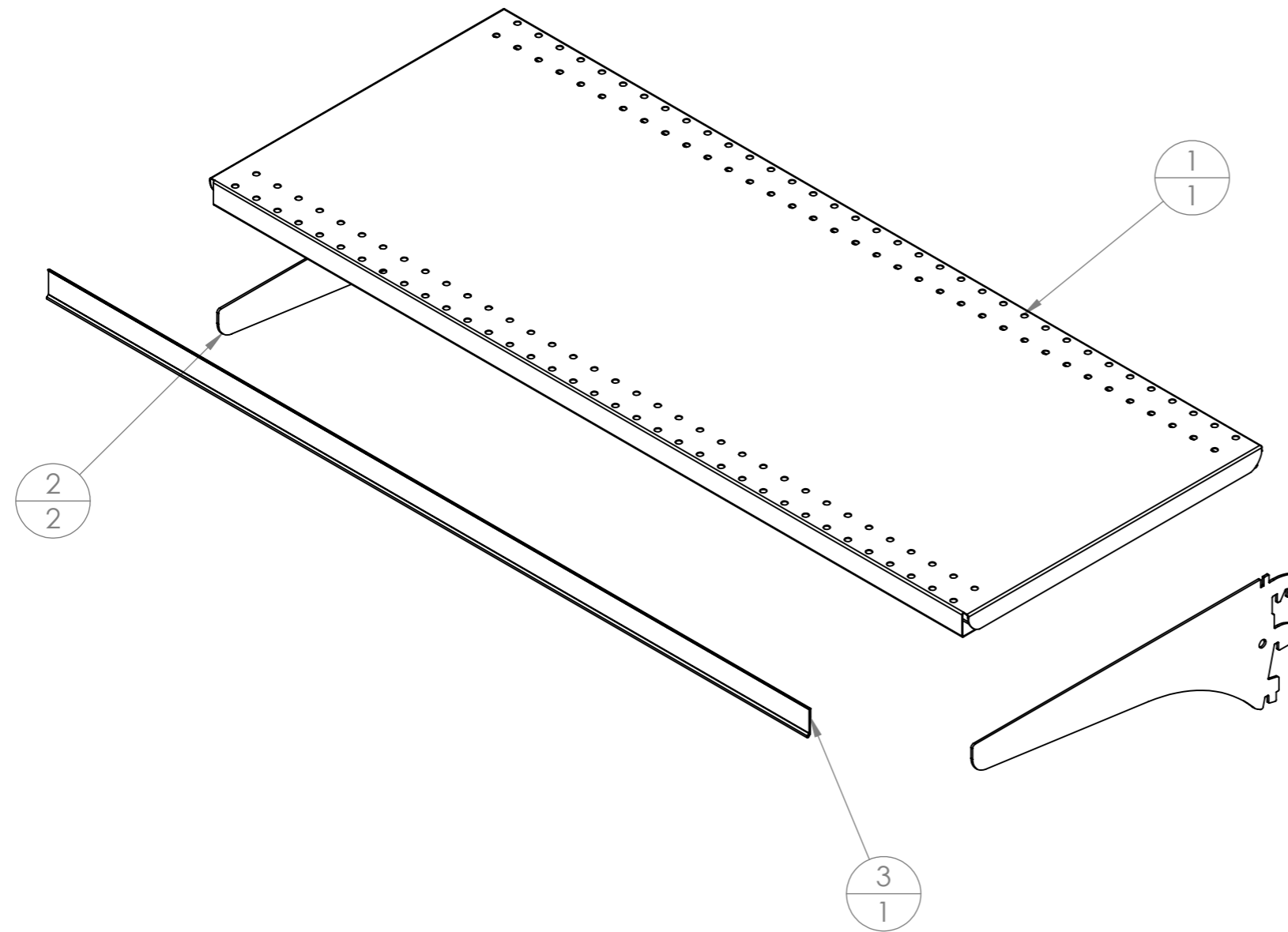
Checked by --



DO NOT SCALE

Scale@A3 1:5

ITEM NO.	PartNo	DESCRIPTION	QTY.
1	RFA0409	SHELF - STEEL	1
2	RFA2501	SHELF STEEL SUPPORT BRACKET	2
3	RFA0036	DATA STRIP	1



Rev	Date	Description

ALL DIMENSIONS IN (mm)
UNLESS OTHERWISE SPECIFIED
BREAK ALL SHARP EDGES

TOLERANCES
(BEFORE PAINTING
& AFTER PLATING)
X ± 1.00
X.X ± 0.50
X.XX ± 0.10
ANGLES ± 0.5°

A03- EXPLODED

CLIENT: RFA

PROJ. NO.: TBA

PART NO.: --

Revision --

Page 3

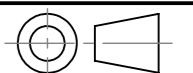
SHELF KIT - STEEL
W900 x D350

PRODUCT CODE: **RFA2910**

Date: 25/02/2025

Drawn by PS

Checked by --



DO NOT SCALE

Scale@A3 1:5