

T 03 8787 3000 F 03 8787 3025
 48-58 Cyber Loop, Dandenong South
 VIC 3175 (AUSTRALIA)

© COPYRIGHT. This drawing is the exclusive property of Associated Projects Pty Ltd. It is subject to protection and is strictly confidential. Reproduction in whole or in part is prohibited without obtaining prior permission in writing from the proprietor.

Rev	Date	Description

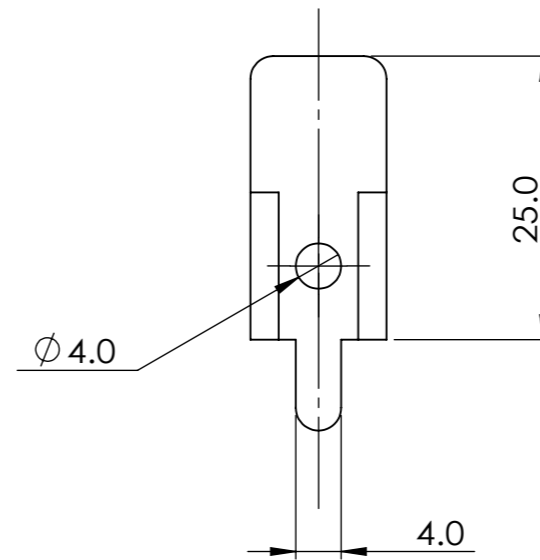
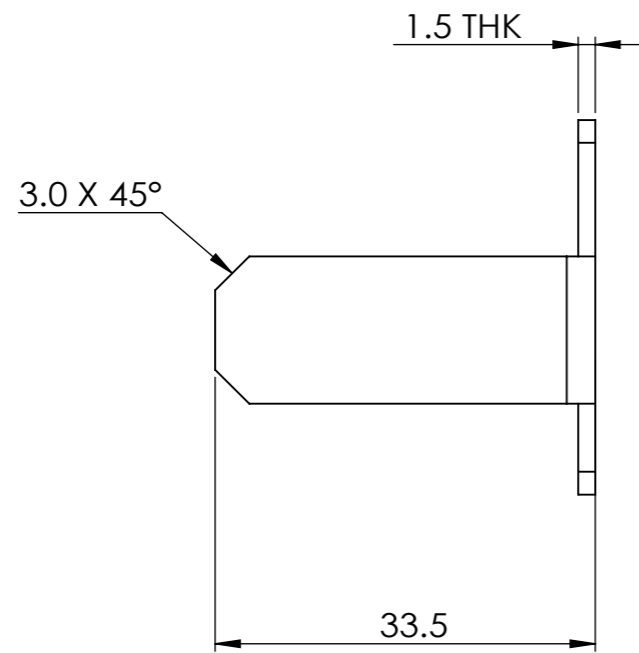
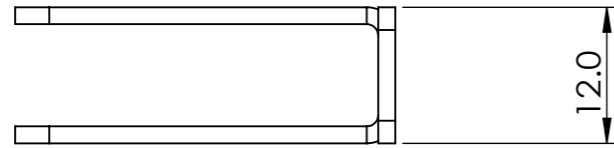
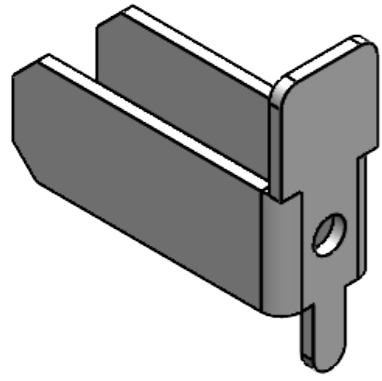
ALL DIMENSIONS IN (mm)
 UNLESS OTHERWISE SPECIFIED
 BREAK ALL SHARP EDGES

TOLERANCES
 (BEFORE PAINTING
 & AFTER PLATING)
 X ± 1.00
 X.X ± 0.50
 X.XX ± 0.10
 ANGLES ± 0.5°

A01- RENDER
 CLIENT: RFA
 PROJ. NO.: TBA
 FINISH: P/C PEARL WHITE
 MAT'L: MILD STEEL
 Page 1

QUEUE GONDOLA - LOCKING CLIP

-	
PRODUCT CODE: RFA2725	
Date: 21/10/2023	DO NOT SCALE
Drawn by DH	Scale@A3 1:1
Checked by NP	



T 03 8787 3000 F 03 8787 3025
48-58 Cyber Loop, Dandenong South
VIC 3175 (AUSTRALIA)

© COPYRIGHT. This drawing is the exclusive property of Associated Projects Pty Ltd. It is subject to protection and is strictly confidential. Reproduction in whole or in part is prohibited without obtaining prior permission in writing from the proprietor.

Rev	Date	Description

ALL DIMENSIONS IN (mm)
UNLESS OTHERWISE SPECIFIED
BREAK ALL SHARP EDGES

TOLERANCES
(BEFORE PAINTING
& AFTER PLATING)
X ± 1.00
X.X ± 0.50
X.XX ± 0.10
ANGLES ± 0.5°

A02- -
CLIENT: RFA
PROJ. NO.: TBA
FINISH: P/C PEARL WHITE
MAT'L: MILD STEEL
Page 2

QUEUE GONDOLA - LOCKING CLIP

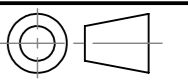
-

PRODUCT CODE: **RFA2725**

Date: 21/10/2023

Drawn by DH

Checked by NP



DO NOT SCALE

Scale@A3 1.5:1