



FINISH: P/C MATTE BLACK

AP ASSOCIATED PROJECTS COMMERCIAL BUILDERS,
PROJECT MANAGERS,
PLANNERS & DESIGNERS

T 03 8787 3000 F 03 8787 3025
48-58 Cyber Loop, Dandenong South VIC 3175

Rev	Date	Description

ALL DIMENSIONS IN (mm)
UNLESS OTHERWISE SPECIFIED
BREAK ALL SHARP EDGES

TOLERANCES
(BEFORE PAINTING
& AFTER PLATING)
X ± 1.00
X.X ± 0.50
X.XX ± 0.10
ANGLES ± 0.5°

A01- RENDER

CLIENT: RFA

PROJ. NO.: TBA

PART NO.: --

Revision --

Page 1

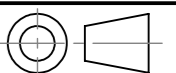
600mm(W) x 1500mm(H) x 1800mm(D)
HANGING GONDOLA - MODULAR Z FRAME

PRODUCT CODE: **RFA2138**

Date: 3/11/2023

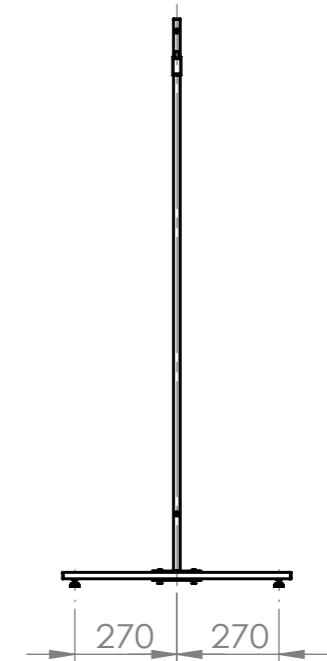
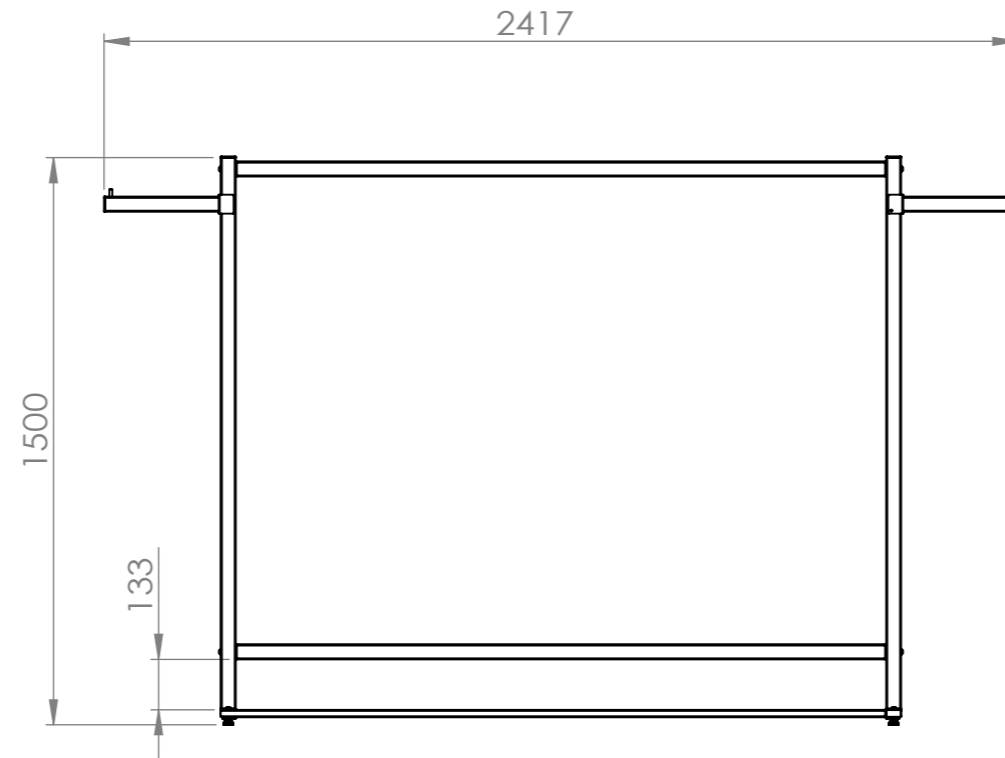
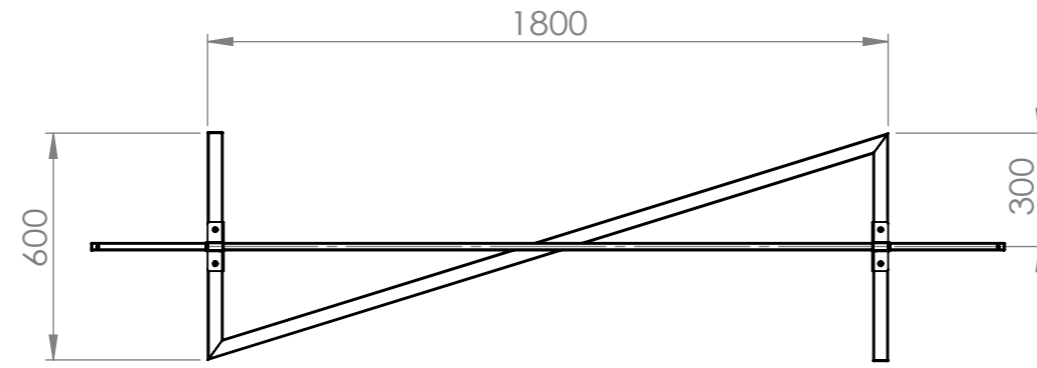
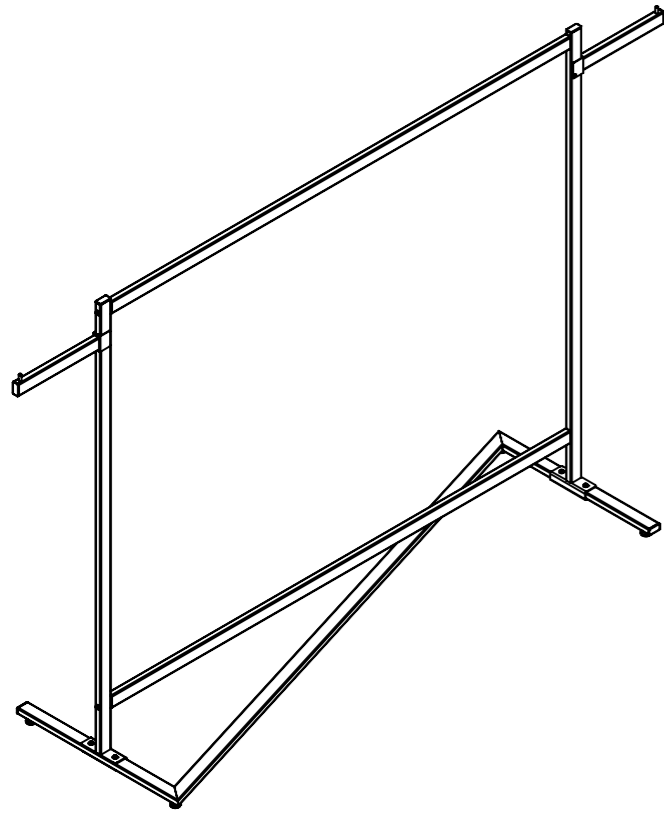
Drawn by PS

Checked by --



DO NOT SCALE

Scale@A3 1:10



Rev	Date	Description

ALL DIMENSIONS IN (mm)
UNLESS OTHERWISE SPECIFIED
BREAK ALL SHARP EDGES

TOLERANCES
(BEFORE PAINTING
& AFTER PLATING)
X ± 1.00
X.X ± 0.50
X.XX ± 0.10
ANGLES ± 0.5°

A02- DIMENSIONS

CLIENT: RFA
PROJ. NO.: TBA
PART NO.: --
Revision --
Page 2

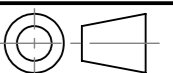
600mm(W) x 1500mm(H) x 1800mm(D)
HANGING GONDOLA - MODULAR Z FRAME

PRODUCT CODE: **RFA2138**

Date: 3/11/2023

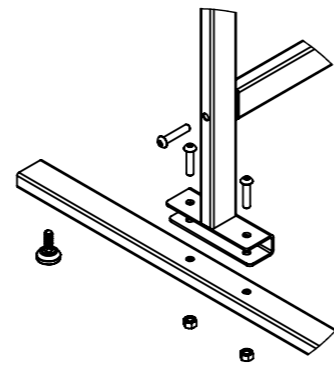
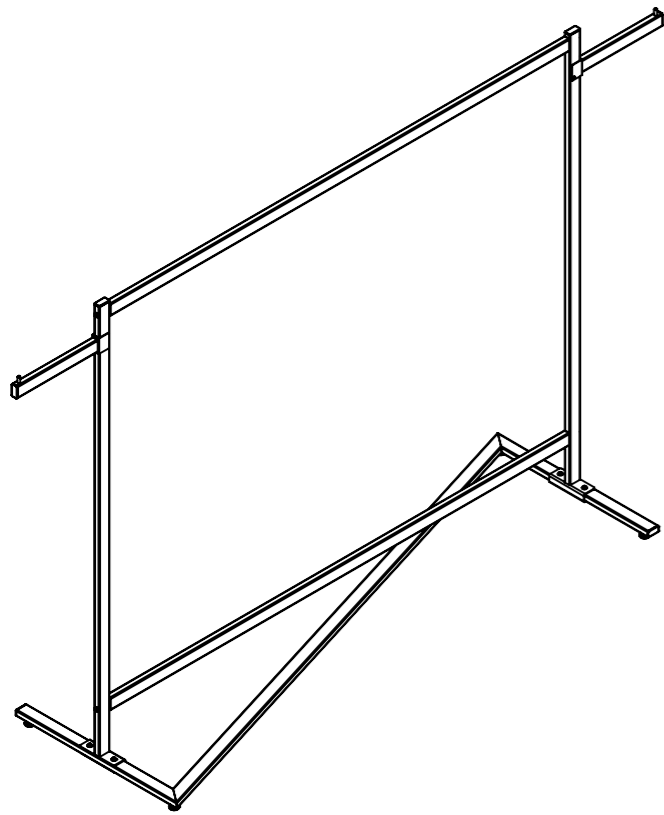
Drawn by PS

Checked by --



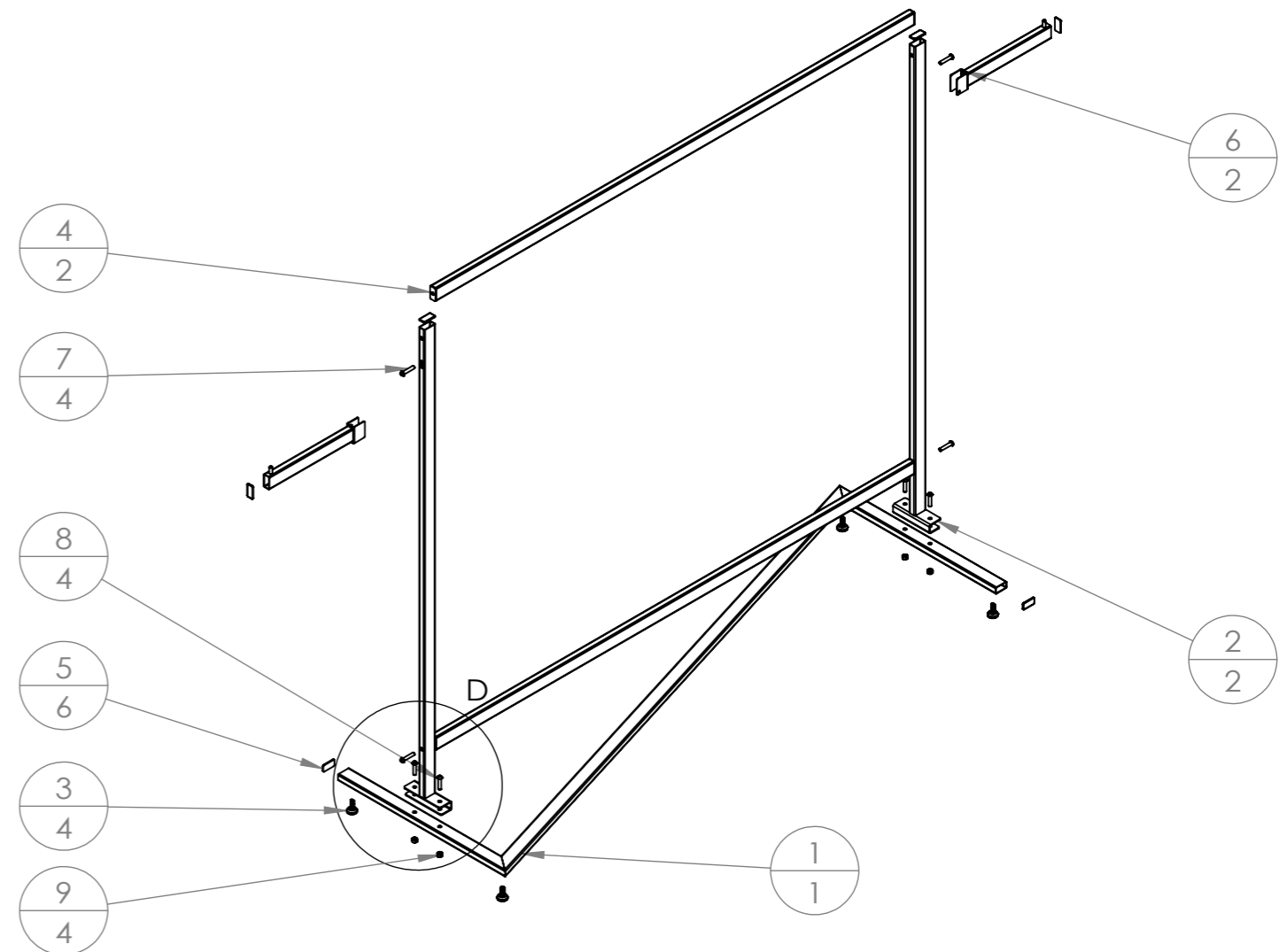
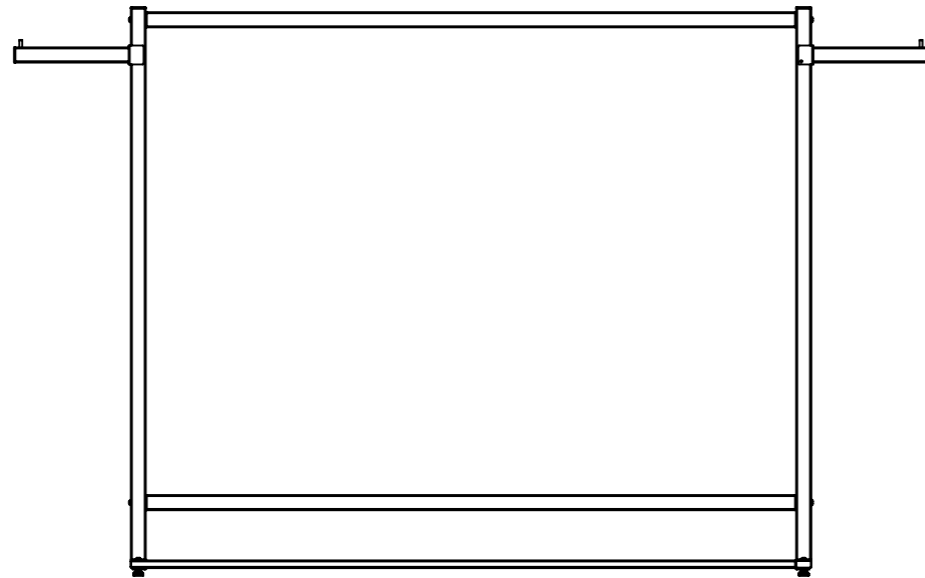
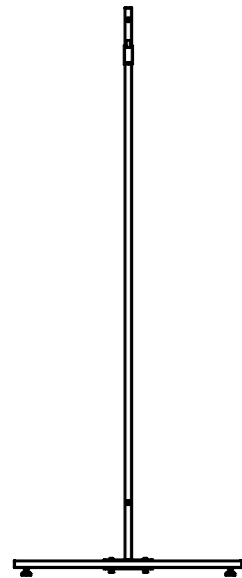
DO NOT SCALE

Scale@A3 1:20



DETAIL D
SCALE 2 : 17

ITEM NO.	PartNo	DESCRIPTION	QTY.
1		BASE	1
2		POST	2
3		M8 LEVELER	4
4		CROSS BAR	2
5		PLASTIC PLUG	6
6		SIDE HANGER	2
7			4
8			4
9			4



Rev	Date	Description

ALL DIMENSIONS IN (mm)
UNLESS OTHERWISE SPECIFIED
BREAK ALL SHARP EDGES

TOLERANCES
(BEFORE PAINTING
& AFTER PLATING)
X ± 1.00
X.X ± 0.50
X.XX ± 0.10
ANGLES ± 0.5°

A03- EXPLODED

CLIENT: RFA

PROJ. NO.: TBA

PART NO.: --

Revision --

Page 3

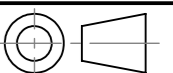
600mm(W) x 1500mm(H) x 1800mm(D)
HANGING GONDOLA - MODULAR Z FRAME

PRODUCT CODE: **RFA2138**

Date: 3/11/2023

Drawn by PS

Checked by --



DO NOT SCALE

Scale@A3 1:10