



This product is an Add Bay
 * Supplied with (1) post only
 * Connects to the post of the neighboring Bay



T 03 8787 3000 F 03 8787 3025
 48-58 Cyber Loop, Dandenong South
 VIC 3175 (AUSTRALIA)

© COPYRIGHT. This drawing is the exclusive property of Associated Projects Pty Ltd. It is subject to protection and is strictly confidential. Reproduction in whole or in part is prohibited without obtaining prior permission in writing from the proprietor.

Rev	Date	Description

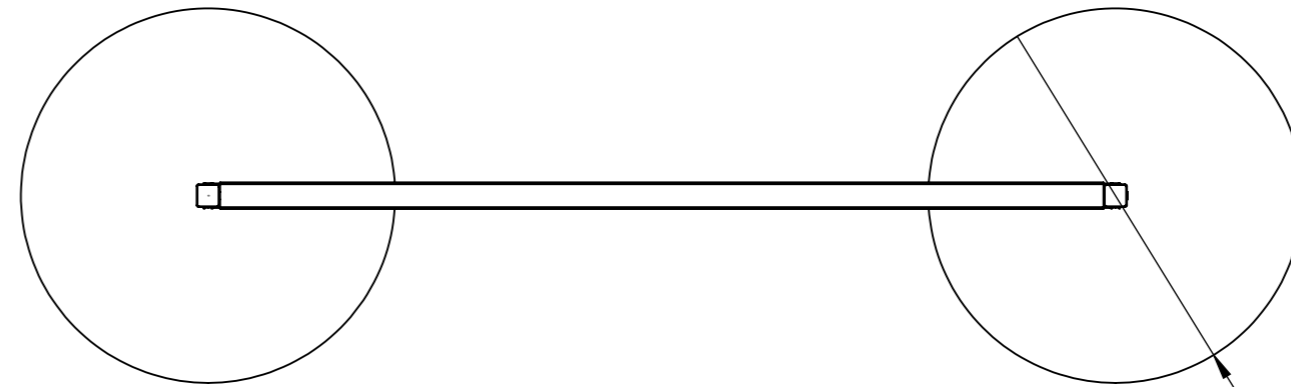
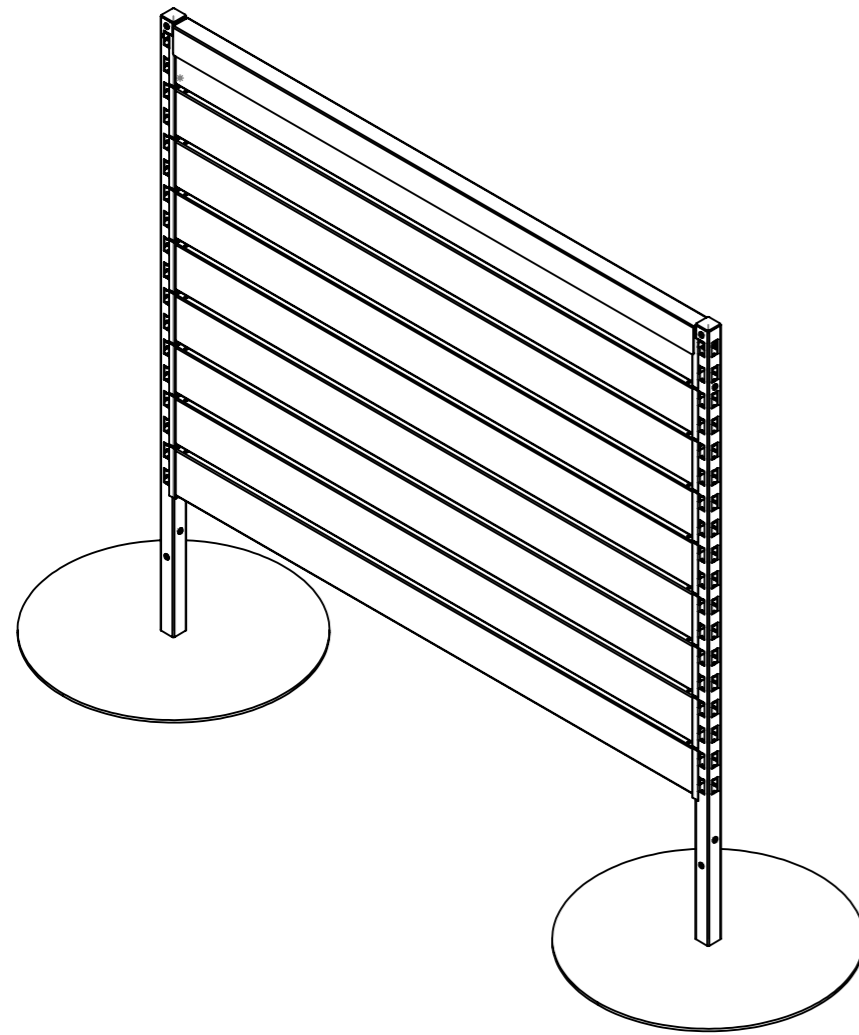
ALL DIMENSIONS IN (mm)
 UNLESS OTHERWISE SPECIFIED
 BREAK ALL SHARP EDGES

TOLERANCES
 (BEFORE PAINTING
 & AFTER PLATING)
 X ± 1.00
 X.X ± 0.50
 X.XX ± 0.10
 ANGLES ± 0.5°

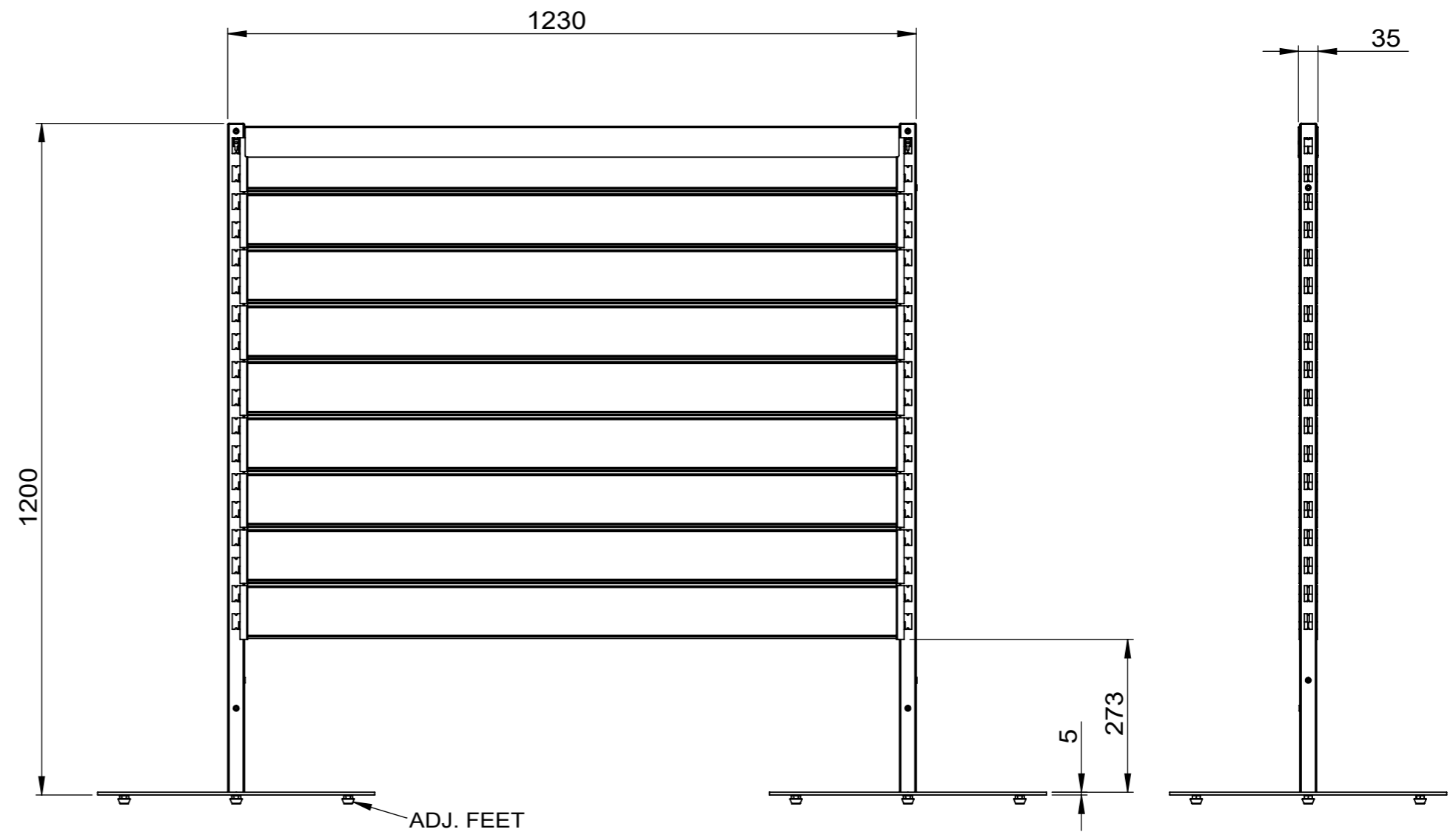
A01- RENDER
 CLIENT: -
 PROJ. NO.: TBA
 FINISH: P/C PEARL WHITE
 MAT'L: VARIOUS
 Page 1

ADD BAY -QUEUE GONDOLA -W1200 H1200 -SLAT -PANELS

PRODUCT CODE: RFA2113		
Date:	18/10/2023	
Drawn by	DH	DO NOT SCALE
Checked by	NP	Scale@A3 1:1



Ø 495.0



ADJ. FEET



T 03 8787 3000 F 03 8787 3025
48-58 Cyber Loop, Dandenong South
VIC 3175 (AUSTRALIA)

© COPYRIGHT. This drawing is the exclusive property of Associated Projects Pty Ltd. It is subject to protection and is strictly confidential. Reproduction in whole or in part is prohibited without obtaining prior permission in writing from the proprietor.

Rev	Date	Description

ALL DIMENSIONS IN (mm)
UNLESS OTHERWISE SPECIFIED
BREAK ALL SHARP EDGES

TOLERANCES
(BEFORE PAINTING
& AFTER PLATING)
X ± 1.00
X.X ± 0.50
X.XX ± 0.10
ANGLES ± 0.5°

A02- CLIENT

CLIENT: -

PROJ. NO.: TBA

FINISH: P/C PEARL WHITE

MAT'L: VARIOUS

Page 2

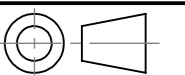
ADD BAY -QUEUE GONDOLA -W1200 H1200 -SLAT -PANELS

PRODUCT CODE: **RFA2113**

Date: 18/10/2023

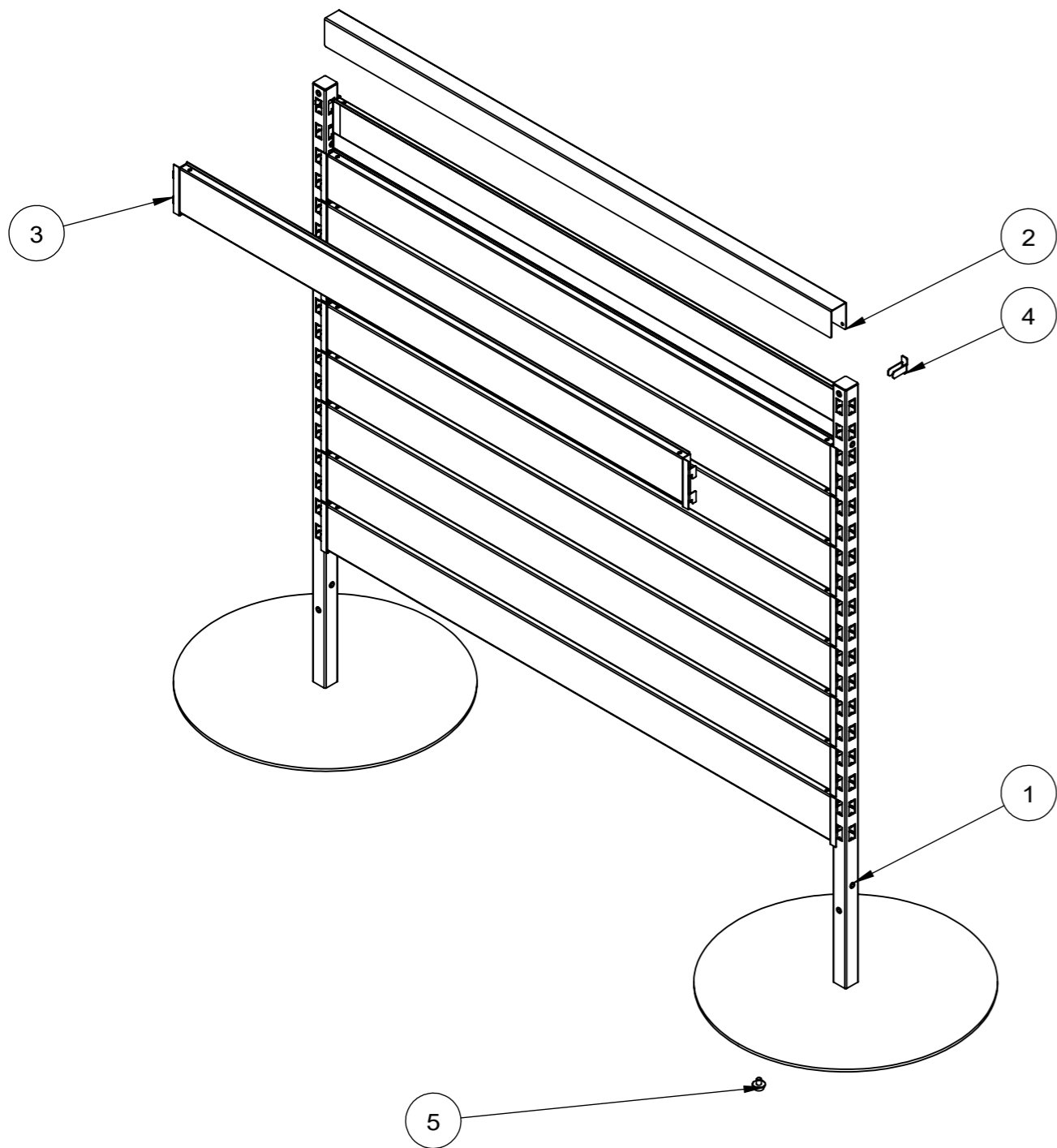
Drawn by DH

Checked by NP



DO NOT SCALE

Scale@A3 1:10



ITEM NO.	PRODUCT CODE	DESCRIPTION	FINISH	QTY.
1	RFA2700	POST - QUEUE GONDOLA	P/C PEARL WHITE	2
2	RFA2725	QUEUE GONDOLA - TOP CAP	P/C PEARL WHITE	1
3	RFA2755	CLIP IN PANEL - W1200XH100 - SLAT WALL	P/C PEARL WHITE	18
4	-	LOCKING CLLP	SAME AS THE POST	2
5	-	ADJ. FEET, M8 x6mm THD, BASE OD25mm, 5mm THK	RAW	8



T 03 8787 3000 F 03 8787 3025
 48-58 Cyber Loop, Dandenong South
 VIC 3175 (AUSTRALIA)

© COPYRIGHT. This drawing is the exclusive property of Associated Projects Pty Ltd. It is subject to protection and is strictly confidential. Reproduction in whole or in part is prohibited without obtaining prior permission in writing from the proprietor.

Rev	Date	Description

ALL DIMENSIONS IN (mm)
 UNLESS OTHERWISE SPECIFIED
 BREAK ALL SHARP EDGES

TOLERANCES
 (BEFORE PAINTING
 & AFTER PLATING)
 X ± 1.00
 X.X ± 0.50
 X.XX ± 0.10
 ANGLES ± 0.5°

A04- EXPLODED VIEW

CLIENT: -
 PROJ. NO.: TBA
 FINISH: P/C PEARL WHITE
 MAT'L: VARIOUS
 Page 4

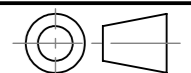
ADD BAY -QUEUE GONDOLA -W1200 H1200 -SLAT -PANELS

PRODUCT CODE: **RFA2113**

Date: 18/10/2023

Drawn by DH

Checked by NP



DO NOT SCALE

Scale@A3 1:10