

This product is an Add Bay

*Supplied with (1) post only
 *Add Bay connects to the post of the neighboring Bay



T 03 8787 3000 F 03 8787 3025
 48-58 Cyber Loop, Dandenong South
 VIC 3175 (AUSTRALIA)

© COPYRIGHT. This drawing is the exclusive property of Associated Projects Pty Ltd. It is subject to protection and is strictly confidential. Reproduction in whole or in part is prohibited without obtaining prior permission in writing from the proprietor.

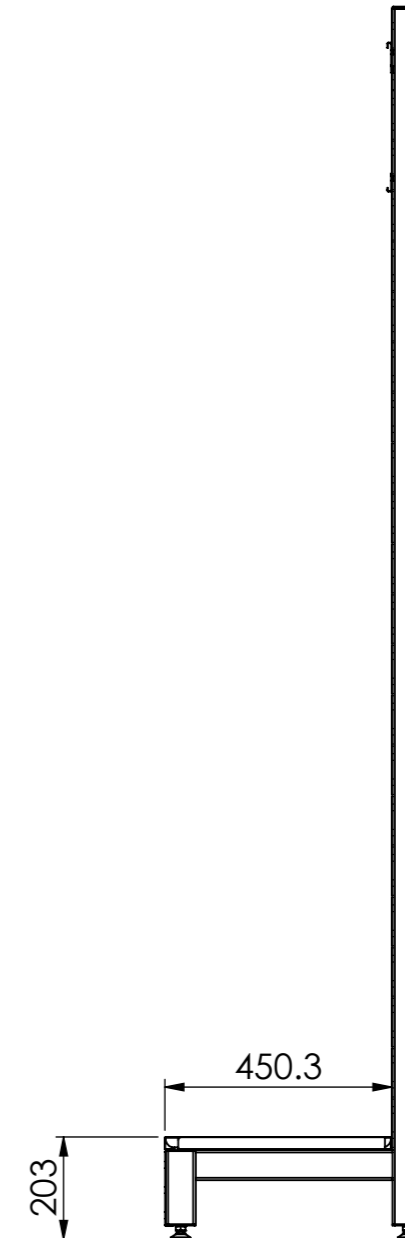
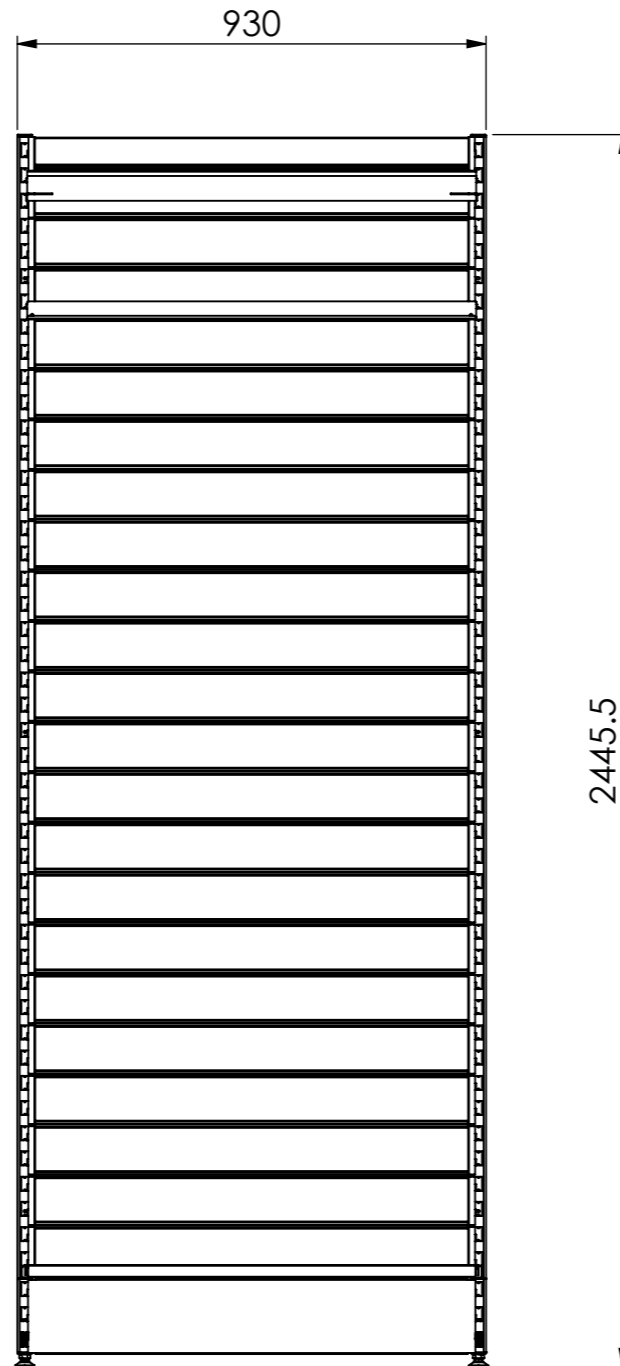
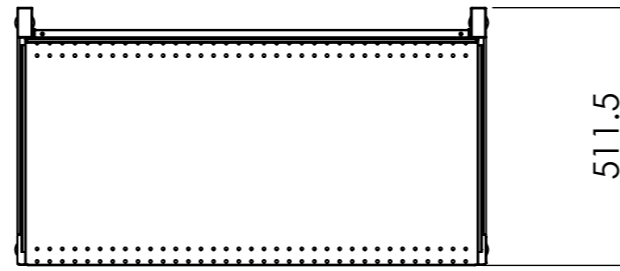
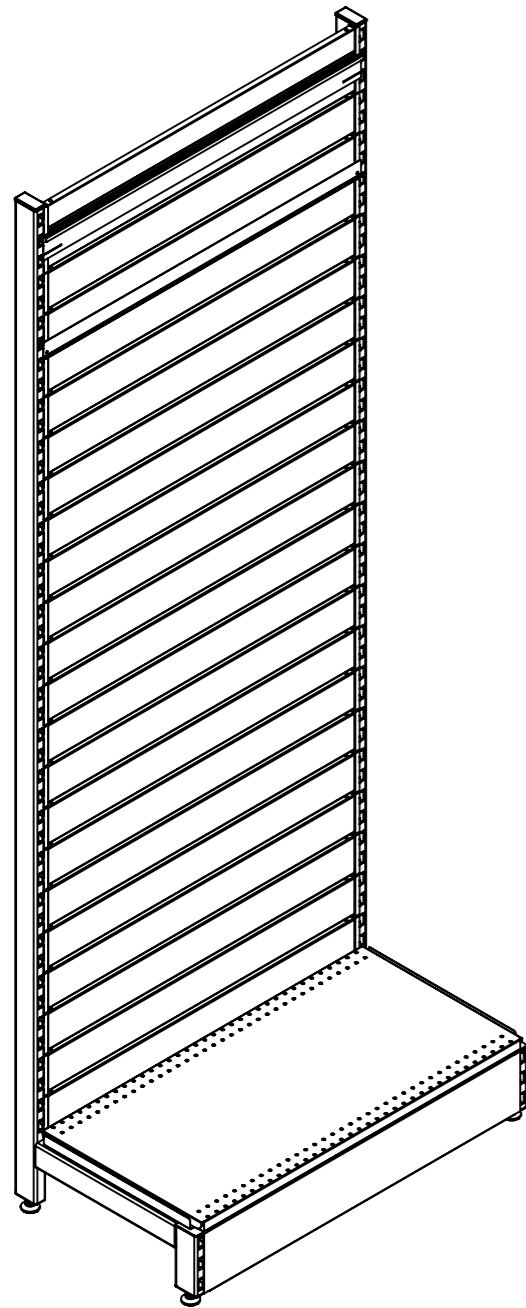
Rev	Date	Description

ALL DIMENSIONS IN (mm)
 UNLESS OTHERWISE SPECIFIED
 BREAK ALL SHARP EDGES

TOLERANCES
 (BEFORE PAINTING
 & AFTER PLATING)
 X ± 1.00
 X.X ± 0.50
 X.XX ± 0.10
 ANGLES ± 0.5°

A01- RENDER
CLIENT: -
PROJ. NO.: TBA
FINISH: P/C MATTE BLACK
MAT'L: VARIOUS
Page 1

ADD BAY - WALL BAY - SOFT SHELL - SLAT WALL W900 x H2400 x D450		
PRODUCT CODE: RFA2017		
Date:	3/07/2024	DO NOT SCALE
Drawn by	DH	
Checked by	NP	
Scale@A3		1:20



T 03 8787 3000 F 03 8787 3025
 48-58 Cyber Loop, Dandenong South
 VIC 3175 (AUSTRALIA)

© COPYRIGHT. This drawing is the exclusive property of Associated Projects Pty Ltd. It is subject to protection and is strictly confidential. Reproduction in whole or in part is prohibited without obtaining prior permission in writing from the proprietor.

Rev	Date	Description

ALL DIMENSIONS IN (mm)
 UNLESS OTHERWISE SPECIFIED
 BREAK ALL SHARP EDGES

TOLERANCES
 (BEFORE PAINTING
 & AFTER PLATING)
 X ± 1.00
 X.X ± 0.50
 X.XX ± 0.10
 ANGLES ± 0.5°

A02- CLIENT
 CLIENT: -
 PROJ. NO.: TBA
 FINISH: P/C MATTE BLACK
 MAT'L: VARIOUS
 Page 2

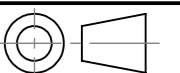
ADD BAY - WALL BAY - SOFT SHELL - SLAT WALL
 W900 x H2400 x D450

PRODUCT CODE: **RFA2017**

Date: 3/07/2024

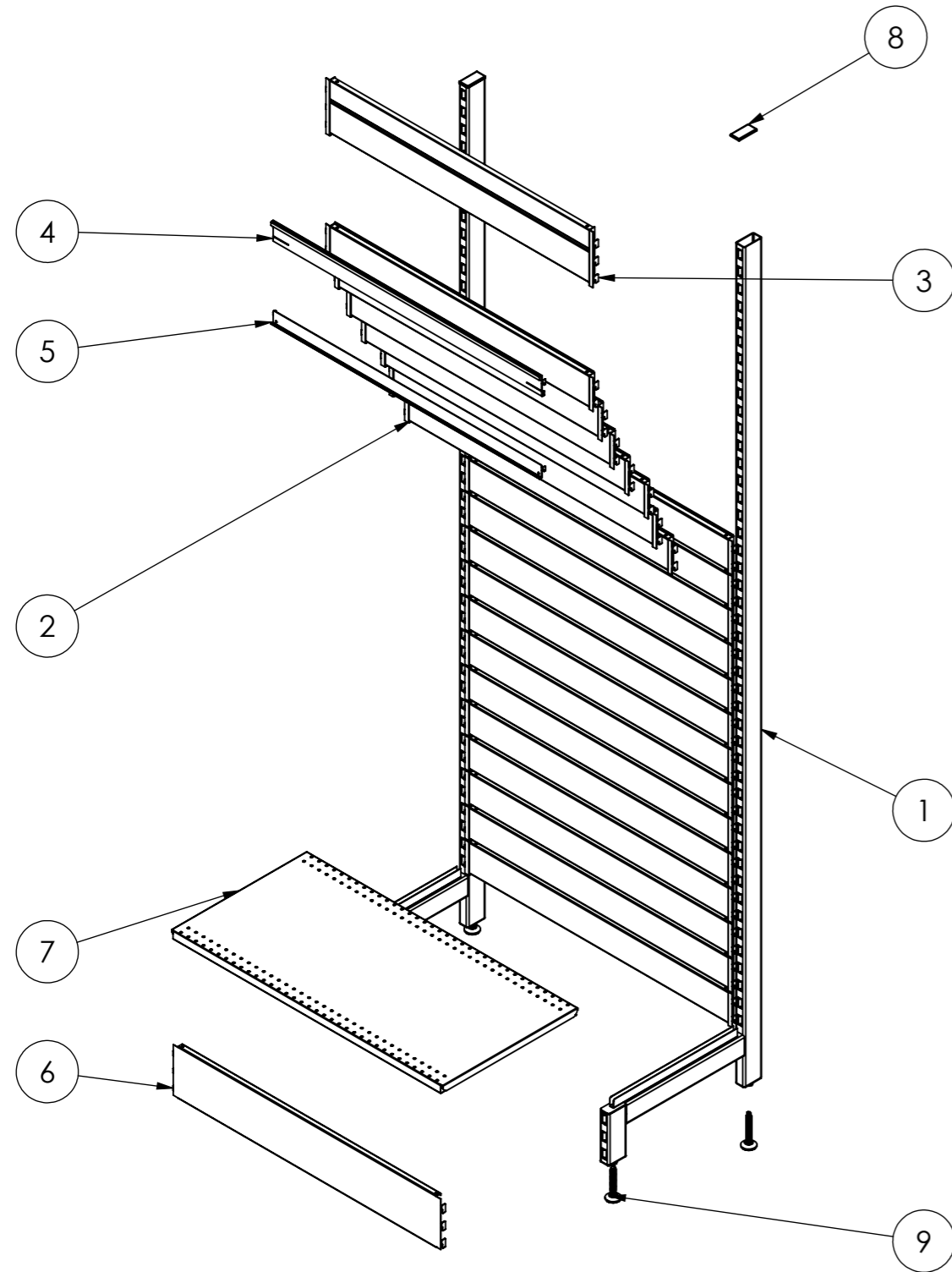
Drawn by DH

Checked by NP



DO NOT SCALE

Scale@A3 1:15



ITEM NO.	PRODUCT CODE	DESCRIPTION	FINISH	QTY.
1	RFA2302	POST - WALL BAY - H2400 - W/. LEG - HD	P/C MATTE BLACK	2
2	RFA2316	CLIP IN PANEL - W900XH100 - SLAT WALL	P/C MATTE BLACK	21
3	RFA2319	CLIP IN PANEL - W900XH150 - SLAT WALL	P/C MATTE BLACK	1
4	RFA2326	SIGNAGE SUPPORT (SLIDER) BRACKET - W900 - TOP BRACKET	P/C MATTE BLACK	1
5	RFA2327	SIGNAGE SUPPORT (SLIDER) BRACKET - W900 - BOTTOM BRACKET	P/C MATTE BLACK	1
6	RFA2322	900W X 150H SKIRT	P/C MATTE BLACK	1
7	RFA0411	SHELF - W900XD450 - W/. DOUBLE STIFFENER	P/C MATTE BLACK	1
8	-	PLASTIC ENDCAP	BLACK	2
9	-	ADJ. FEET OD38_M12_H70THD	RAW	4

Rev	Date	Description

ALL DIMENSIONS IN (mm)
 UNLESS OTHERWISE SPECIFIED
 BREAK ALL SHARP EDGES

TOLERANCES
 (BEFORE PAINTING
 & AFTER PLATING)
 X ± 1.00
 X.X ± 0.50
 X.XX ± 0.10
 ANGLES ± 0.5°

A03- EXPLODED VIEW
 CLIENT: -
 PROJ. NO.: TBA
 FINISH: P/C MATTE BLACK
 MAT'L: VARIOUS
 Page 3

ADD BAY - WALL BAY - SOFT SHELL - SLAT WALL
 W900 x H2400 x D450

PRODUCT CODE: RFA2017		 DO NOT SCALE
Date:	3/07/2024	
Drawn by	DH	Scale@A3 1:15
Checked by	NP	