

T 03 8787 3000 F 03 8787 3025
 48-58 Cyber Loop, Dandenong South
 VIC 3175 (AUSTRALIA)

© COPYRIGHT. This drawing is the exclusive property of Associated Projects Pty Ltd. It is subject to protection and is strictly confidential. Reproduction in whole or in part is prohibited without obtaining prior permission in writing from the proprietor.

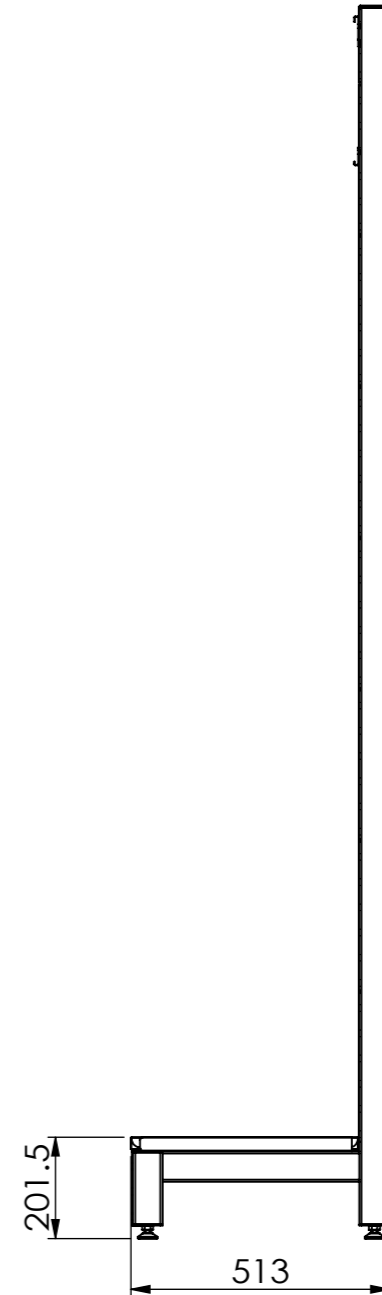
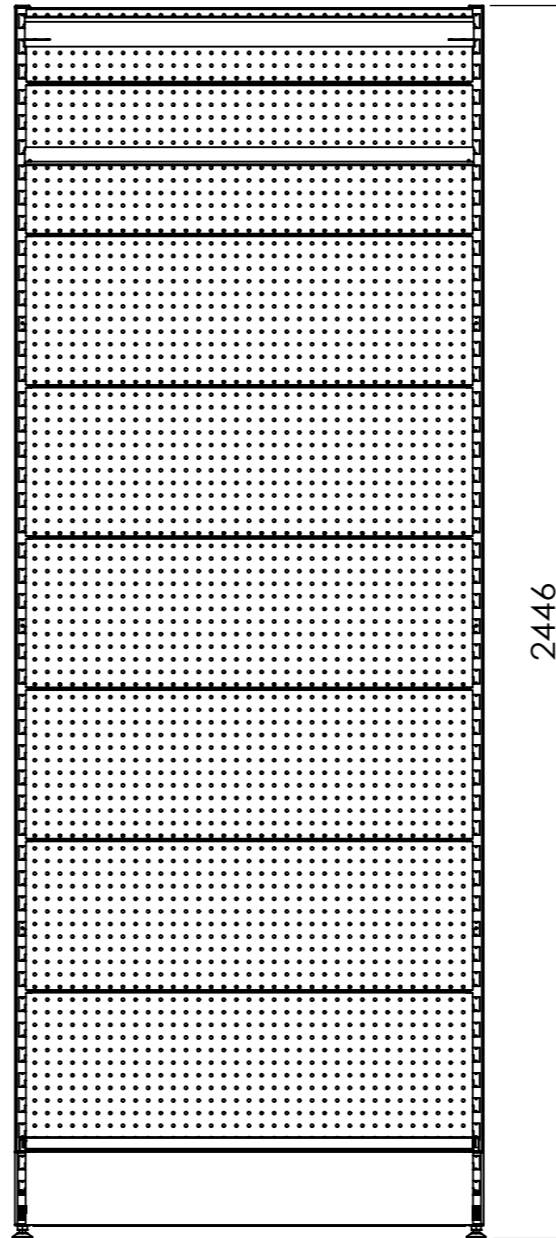
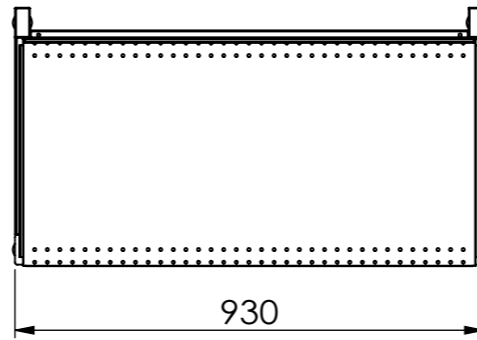
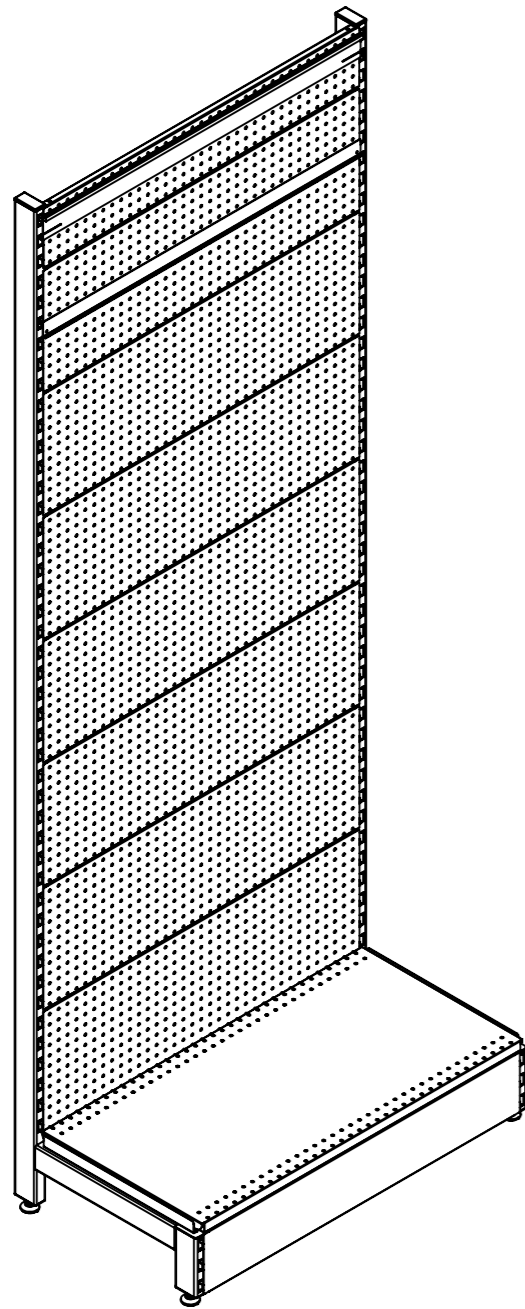
| Rev | Date | Description |
|-----|------|-------------|
| | | |
| | | |
| | | |
| | | |

ALL DIMENSIONS IN (mm)
 UNLESS OTHERWISE SPECIFIED
 BREAK ALL SHARP EDGES

TOLERANCES
 (BEFORE PAINTING
 & AFTER PLATING)
 X ± 1.00
 X.X ± 0.50
 X.XX ± 0.10
 ANGLES ± 0.5°

A01- RENDER
CLIENT: -
PROJ. NO.: TBA
FINISH: P/C MATTE BLACK
MAT'L: "SW-
Material@@W900_PREF
Page @Part2/SLDPRT"

| | | |
|--|-----------|---|
| START BAY -WALL BAY-SOFTSHELL - W900XH2400XD450 -PERFORATED | | |
| PRODUCT CODE: RFA2004 | | |
| Date: | 4/10/2023 | DO NOT SCALE Scale@A3 1:20 |
| Drawn by | DH | |
| Checked by | NP | |



T 03 8787 3000 F 03 8787 3025
48-58 Cyber Loop, Dandenong South
VIC 3175 (AUSTRALIA)

© COPYRIGHT. This drawing is the exclusive property of Associated Projects Pty Ltd. It is subject to protection and is strictly confidential. Reproduction in whole or in part is prohibited without obtaining prior permission in writing from the proprietor.

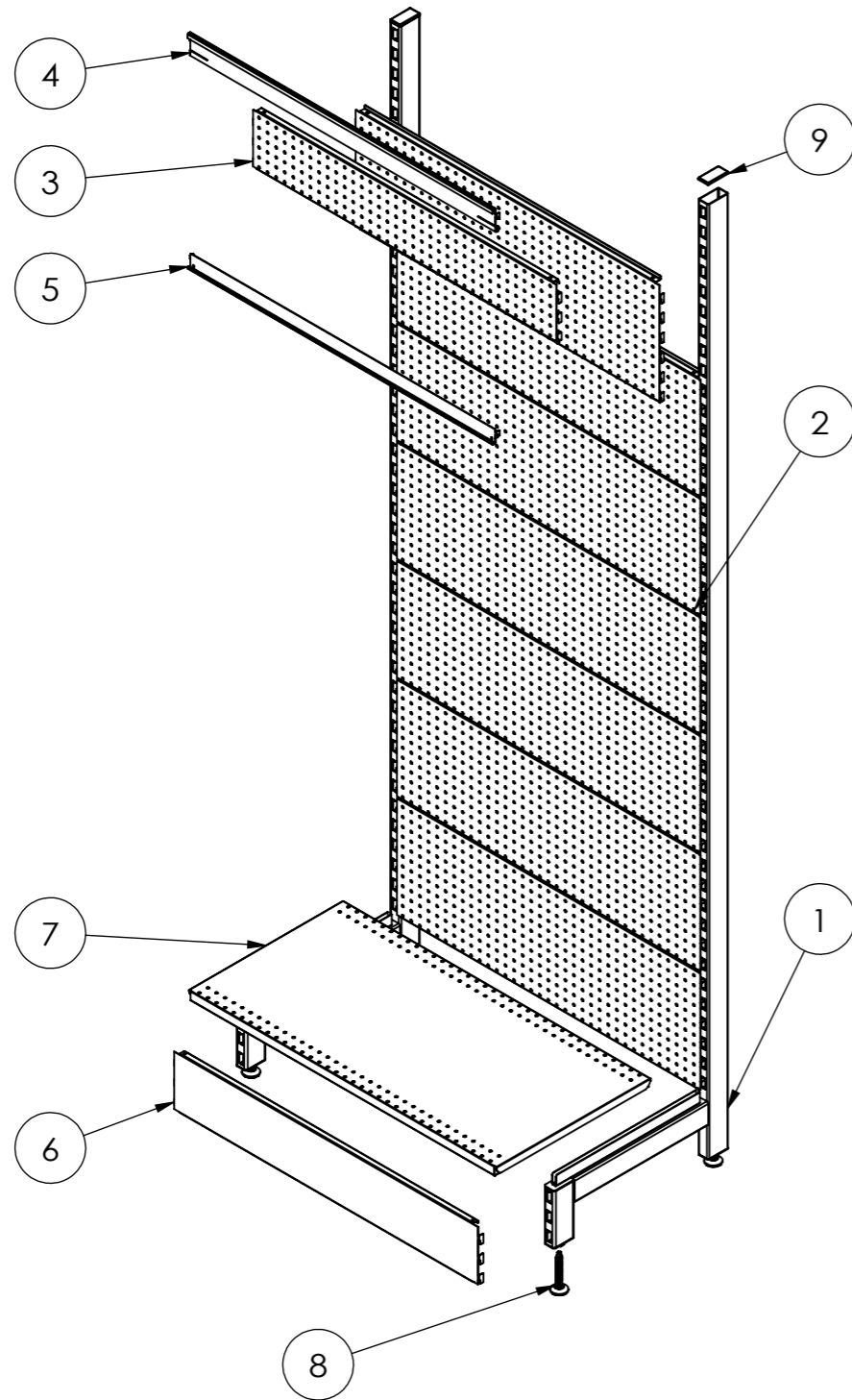
| Rev | Date | Description |
|-----|------|-------------|
| | | |
| | | |
| | | |
| | | |

ALL DIMENSIONS IN (mm)
UNLESS OTHERWISE SPECIFIED
BREAK ALL SHARP EDGES

TOLERANCES
(BEFORE PAINTING
& AFTER PLATING)
X ± 1.00
X.X ± 0.50
X.XX ± 0.10
ANGLES ± 0.5°

A02- CLIENT
CLIENT: -
PROJ. NO.: TBA
FINISH: P/C MATTE BLACK
MAT'L: "SW-
Material@@W900_PREF
Page @PartZSLDPRT"

| | | |
|--|-----------------|--------------|
| START BAY -WALL BAY-SOFTSHELL - W900XH2400XD450 -PERFORATED | | |
| PRODUCT CODE: RFA2004 | Date: 4/10/2023 | |
| Drawn by: DH | Checked by: NP | DO NOT SCALE |
| Scale@A3 1:15 | | |



| ITEM NO. | PRODUCT CODE | DESCRIPTION | FINISH | QTY. |
|----------|--------------|--|-----------------|------|
| 1 | RFA2302 | POST - WALL BAY - H2400 - W/. LEG - HD | P/C MATTE BLACK | 2 |
| 2 | RFA2307 | CLIP IN PANEL - W900XH300 - PERFORATED | P/C MATTE BLACK | 7 |
| 3 | RFA2304 | CLIP IN PANEL - W900XH150 - PERFORATED | P/C MATTE BLACK | 1 |
| 4 | RFA2326 | SIGNAGE SUPPORT (SLIDER) BRACKET - W900 - TOP BRACKET | P/C MATTE BLACK | 1 |
| 5 | RFA2327 | SIGNAGE SUPPORT (SLIDER) BRACKET - W900 - BOTTOM BRACKET | P/C MATTE BLACK | 1 |
| 6 | RFA2322 | 900W X 150H SKIRT | P/C MATTE BLACK | 1 |
| 7 | RFA0411 | SHELF - W900XD450 - W/. DOUBLE STIFFENER | P/C MATTE BLACK | 1 |
| 8 | - | ADJ. FEET OD38_M12_H70THD | RAW | 4 |
| 9 | - | PLASTIC ENDCAP | BLACK | 2 |



T 03 8787 3000 F 03 8787 3025
48-58 Cyber Loop, Dandenong South
VIC 3175 (AUSTRALIA)

© COPYRIGHT. This drawing is the exclusive property of Associated Projects Pty Ltd. It is subject to protection and is strictly confidential. Reproduction in whole or in part is prohibited without obtaining prior permission in writing from the proprietor.

| Rev | Date | Description |
|-----|------|-------------|
| | | |
| | | |
| | | |
| | | |

ALL DIMENSIONS IN (mm)
UNLESS OTHERWISE SPECIFIED
BREAK ALL SHARP EDGES

TOLERANCES
(BEFORE PAINTING
& AFTER PLATING)
X ± 1.00
X.X ± 0.50
X.XX ± 0.10
ANGLES ± 0.5°

A03- EXPLODED VIEW

CLIENT: -

PROJ. NO.: TBA

FINISH: P/C MATTE BLACK

MAT'L: "SW-
Material@@W900_PREF
Page @Part2@SLDPRT"

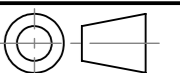
START BAY -WALL BAY-SOFTSHELL -
W900XH2400XD450 -PERFORATED

PRODUCT CODE: **RFA2004**

Date: 4/10/2023

Drawn by DH

Checked by NP



DO NOT SCALE

Scale@A3 1:15