

FINISH: P/C PEARL WHITE

AP ASSOCIATED PROJECTS COMMERCIAL BUILDERS,
PROJECT MANAGERS,
PLANNERS & DESIGNERS

T 03 8787 3000 F 03 8787 3025
48-58 Cyber Loop, Dandenong South VIC 3175

Rev	Date	Description

ALL DIMENSIONS IN (mm)
UNLESS OTHERWISE SPECIFIED
BREAK ALL SHARP EDGES

TOLERANCES
(BEFORE PAINTING
& AFTER PLATING)
X ± 1.00
X.X ± 0.50
X.XX ± 0.10
ANGLES ± 0.5°

A01- RENDER

CLIENT: RFA

PROJ. NO.: TBA

PART NO.: --

Revision --

Page 1

START BAY - DOUBLE SIDED GONDOLA - NON
PERFORATED - SPECIAL

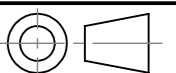
W900 x H2115 x D270

PRODUCT CODE: **RFA1528**

Date: 10/07/2024

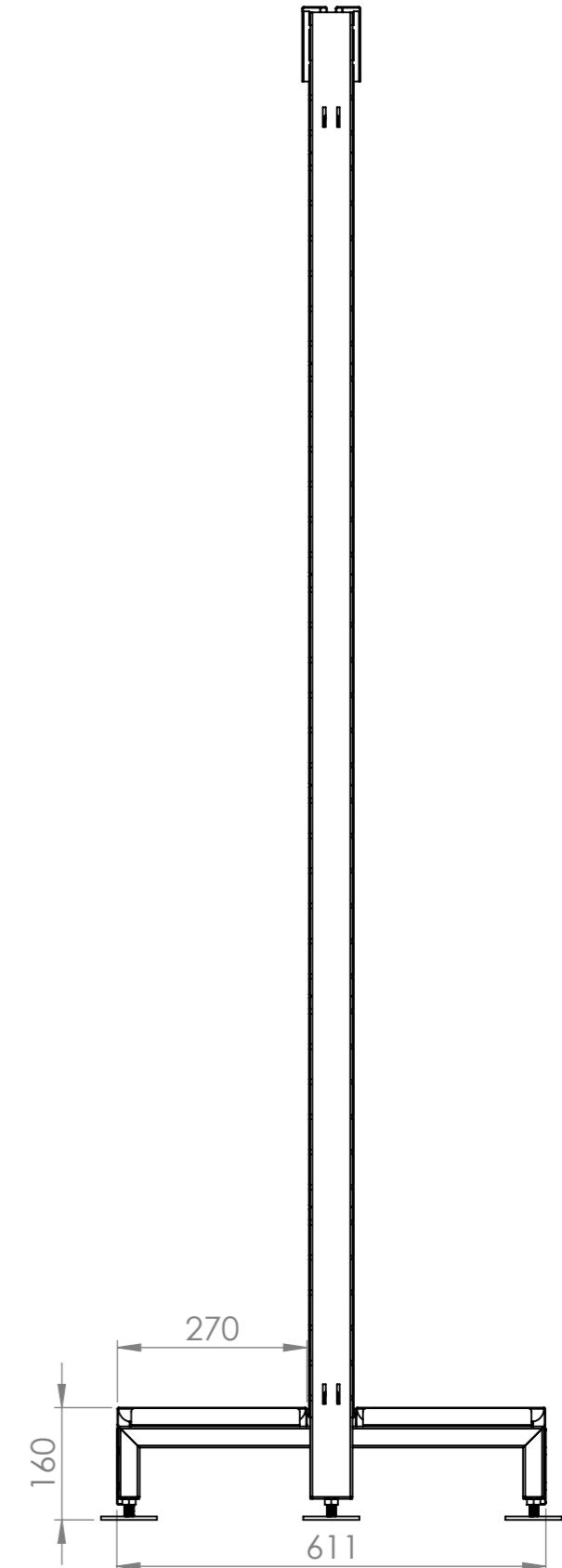
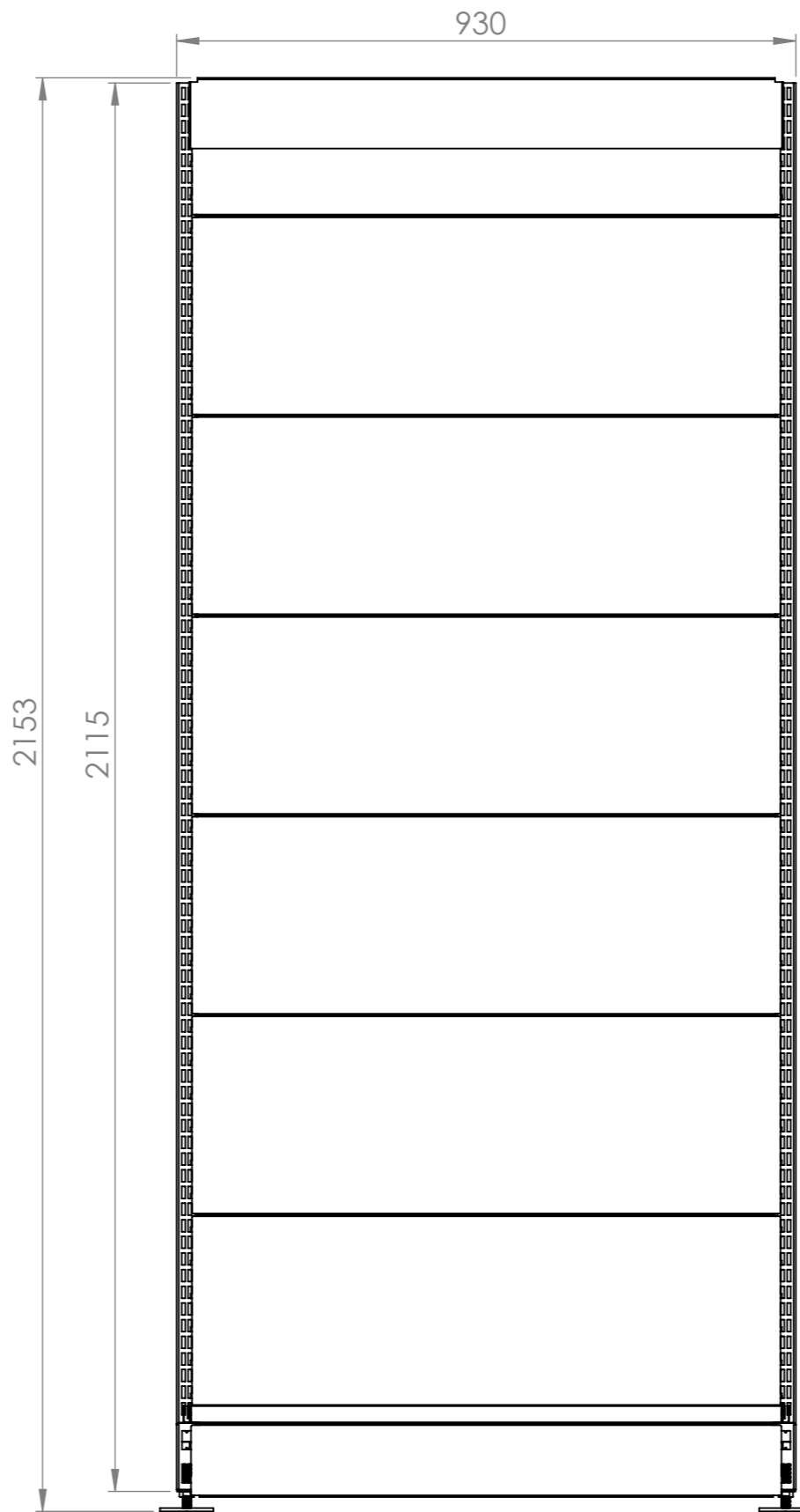
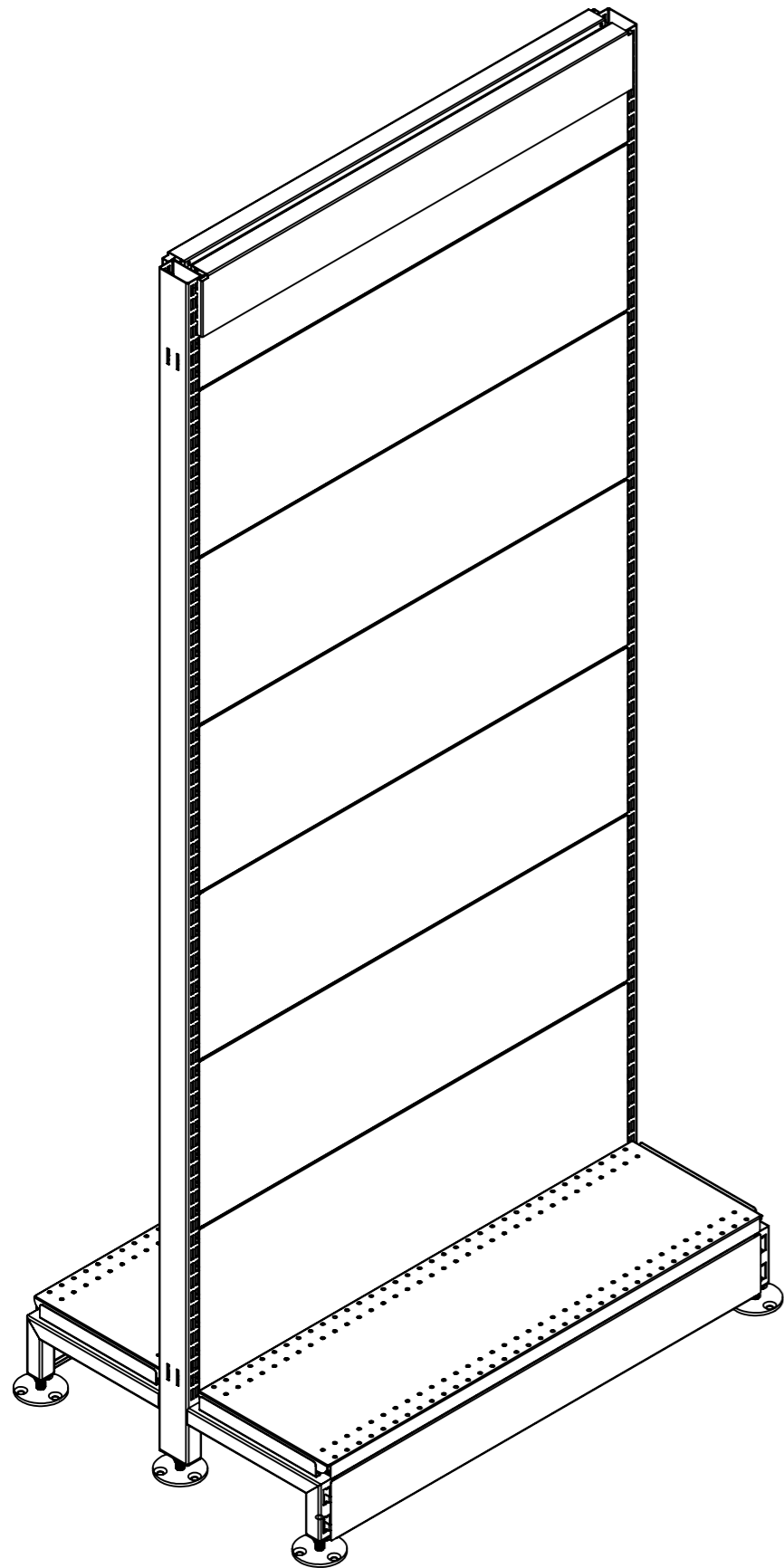
Drawn by PS

Checked by --



DO NOT SCALE

Scale@A3 1:20



Rev	Date	Description

ALL DIMENSIONS IN (mm)
UNLESS OTHERWISE SPECIFIED
BREAK ALL SHARP EDGES

TOLERANCES
(BEFORE PAINTING
& AFTER PLATING)
X ± 1.00
X.X ± 0.50
X.XX ± 0.10
ANGLES ± 0.5°

A02- DIMENSIONS

CLIENT: RFA
PROJ. NO.: TBA
PART NO.: --
Revision --
Page 2

START BAY - DOUBLE SIDED GONDOLA - NON PERFORATED - SPECIAL

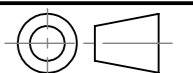
W900 x H2115 x D270

PRODUCT CODE: **RFA1528**

Date: 10/07/2024

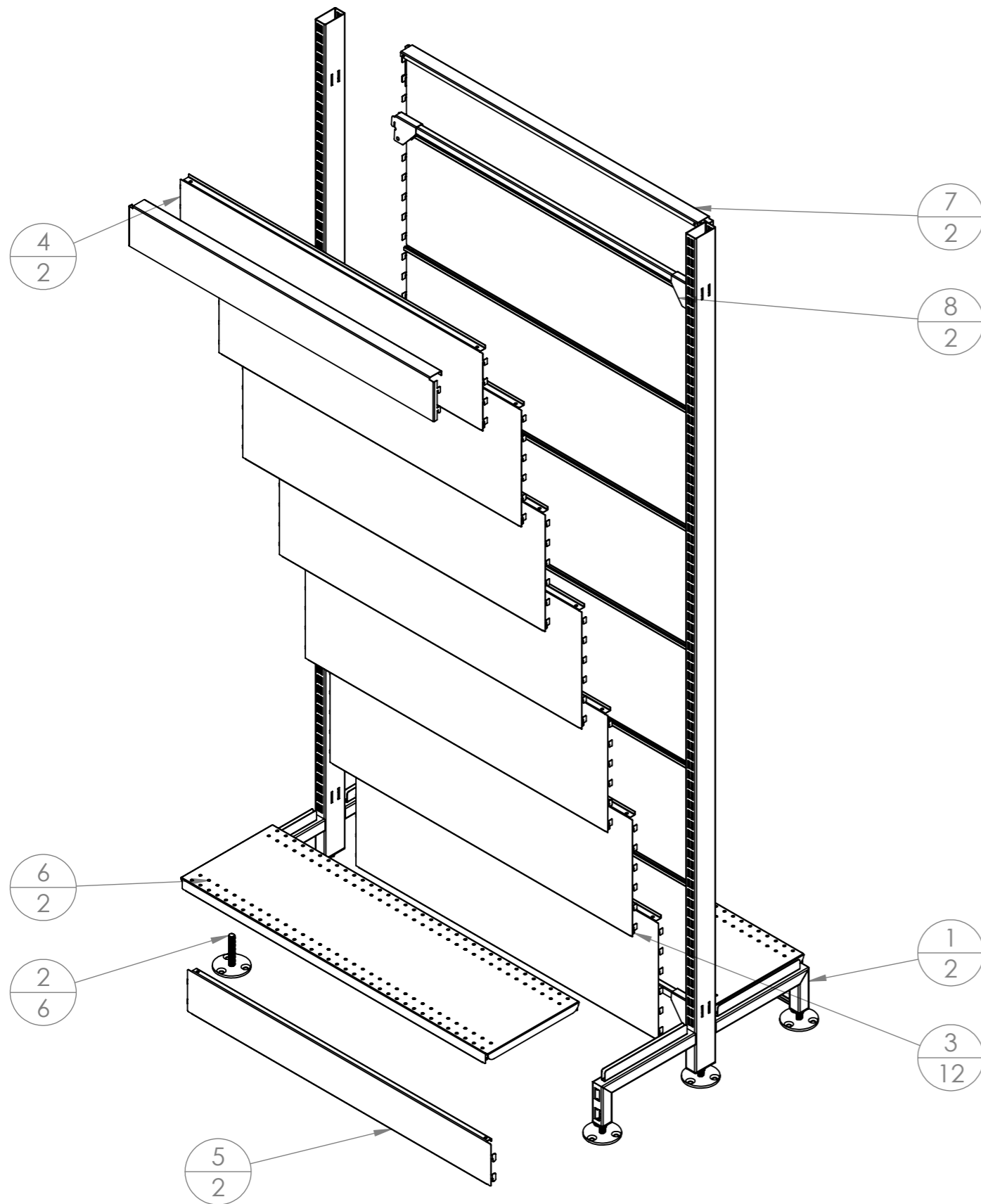
Drawn by PS

Checked by --



DO NOT SCALE

Scale@A3 1:10



ITEM NO.	PartNo	DESCRIPTION	QTY.
1	RFA1152	2115mm (H) WALL BAY POST	2
2	RFA1153	BOLT DOWN LEVELLER DIA 80-3 HOLE	6
3	RFA1108	CLIP IN PANEL - 900(W) X 300(H) - NON PERFORATED - PEARL WHITE	12
4	RFA1107	CLIP IN PANEL - W900 X H200 - NON PERFORATED - PEARL WHITE	2
5	RFA1110	900 BOTTOM SKIRT	2
6	RFA0402	SHELF-STEEL-W900xD270	2
7	RFA1124	SNAP IN TOP CAP_BLACK	2
8	RFA1138	POST - SPACER BRACKET	2

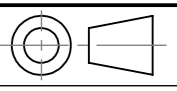
Rev	Date	Description

ALL DIMENSIONS IN (mm)
 UNLESS OTHERWISE SPECIFIED
 BREAK ALL SHARP EDGES

TOLERANCES
 (BEFORE PAINTING
 & AFTER PLATING)
 X ± 1.00
 X.X ± 0.50
 X.XX ± 0.10
 ANGLES ± 0.5°

A03- EXPLODED
 CLIENT: RFA
 PROJ. NO.: TBA
 PART NO.: --
 Revision --
 Page 3

START BAY - DOUBLE SIDED GONDOLA - NON PERFORATED - SPECIAL
 W900 x H2115 x D270
 PRODUCT CODE: **RFA1528**

Date:	10/07/2024	 DO NOT SCALE
Drawn by	PS	
Checked by	--	

Scale@A3 1:10