

FINISH: P/C PEARL WHITE

**AP ASSOCIATED PROJECTS** COMMERCIAL BUILDERS,  
PROJECT MANAGERS,  
PLANNERS & DESIGNERS

T 03 8787 3000 F 03 8787 3025  
48-58 Cyber Loop, Dandenong South VIC 3175

Rev	Date	Description

ALL DIMENSIONS IN (mm)  
UNLESS OTHERWISE SPECIFIED  
BREAK ALL SHARP EDGES

TOLERANCES  
(BEFORE PAINTING  
& AFTER PLATING)  
X ± 1.00  
X.X ± 0.50  
X.XX ± 0.10  
ANGLES ± 0.5°

A01- RENDER

CLIENT: RFA

PROJ. NO.: TBA

PART NO.: --

Revision --

Page 1

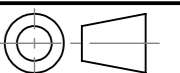
ADD BAY - DOUBLE SIDED GONDOLA - NON PERF  
W600 x H1815 x D270

PRODUCT CODE: **RFA1509**

Date: 5/07/2024

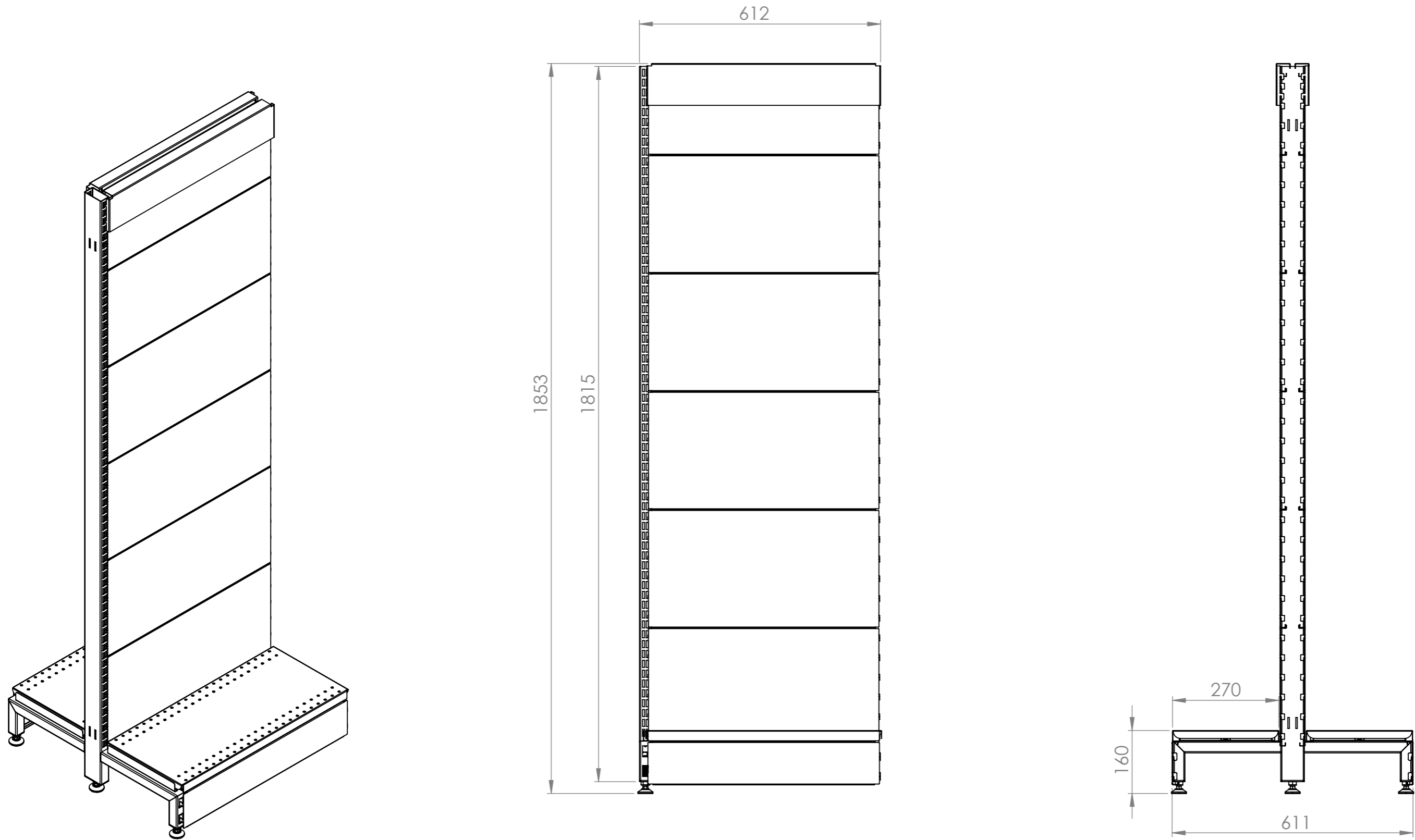
Drawn by PS

Checked by --



DO NOT SCALE

Scale@A3 1:20



Rev	Date	Description

ALL DIMENSIONS IN (mm)  
UNLESS OTHERWISE SPECIFIED  
BREAK ALL SHARP EDGES

TOLERANCES  
(BEFORE PAINTING  
& AFTER PLATING)  
X ± 1.00  
X.X ± 0.50  
X.XX ± 0.10  
ANGLES ± 0.5°

**A02- DIMENSIONS**

CLIENT: RFA  
PROJ. NO.: TBA  
PART NO.: --  
Revision --  
Page 2

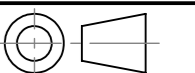
ADD BAY - DOUBLE SIDED GONDOLA - NON PERF  
W600 x H1815 x D270

PRODUCT CODE: **RFA1509**

Date: 5/07/2024

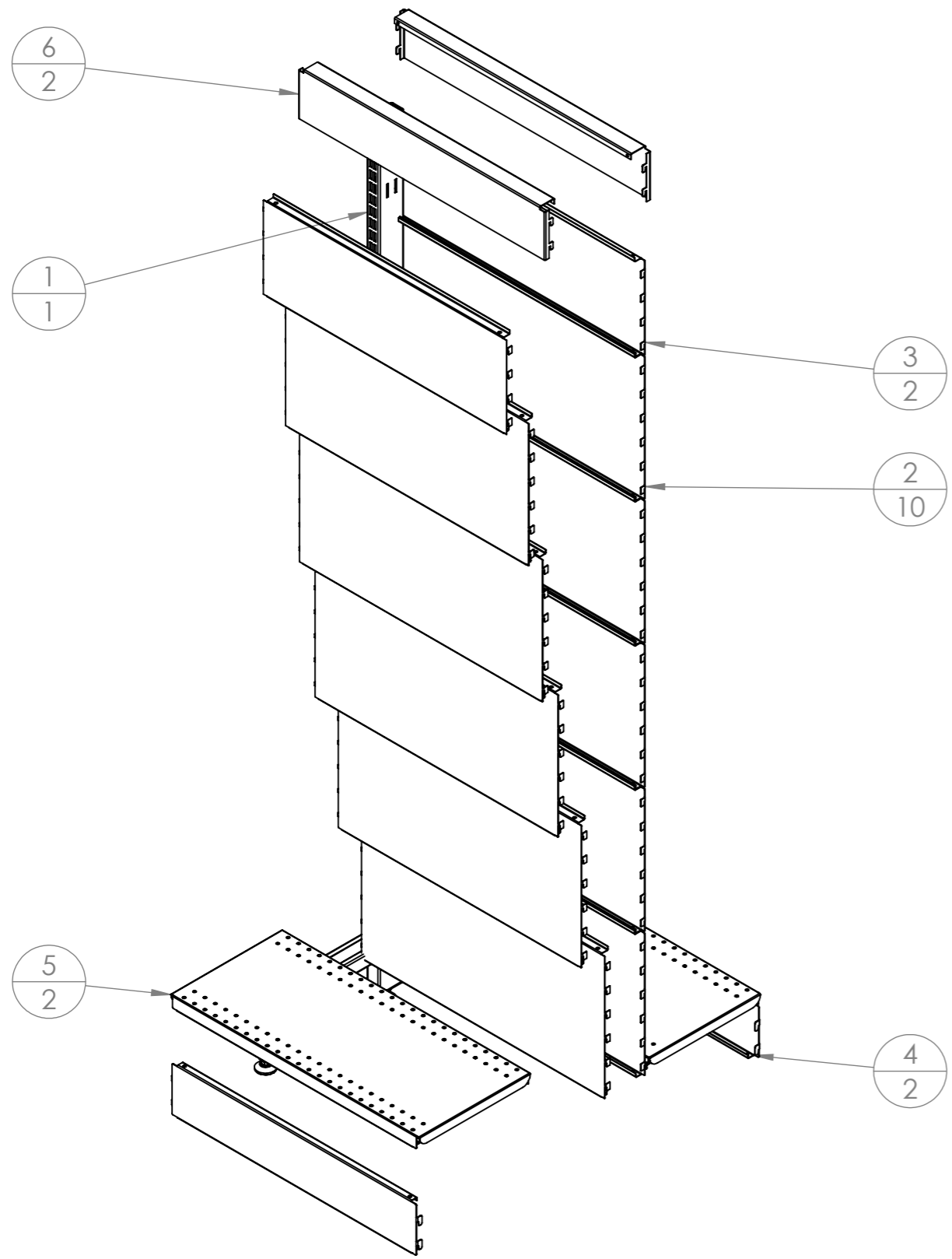
Drawn by PS

Checked by --



DO NOT SCALE

Scale@A3 1:10



ITEM NO.	PartNo	DESCRIPTION	QTY.
1	RFA1150	1815mm (H) WALL BAY POST	1
2	RFA1106	CLIP IN PANEL - 600(W) X 300(H) - NON PERFORATED - PEARL WHITE	10
3	RFA1105	CLIP IN PANEL - 600(W) X 200(H) - NON PERFORATED - PEARL WHITE	2
4	RFA1109	600 BOTTOM SKIRT	2
5	RFA0400	600mm(W)x270mm(D) STEEL SHELF	2
6	RFA1123	SNAP IN TOP CAP	2

**AP ASSOCIATED PROJECTS** COMMERCIAL BUILDERS, PROJECT MANAGERS, PLANNERS & DESIGNERS  
 T 03 8787 3000 F 03 8787 3025  
 48-58 Cyber Loop, Dandenong South VIC 3175

Rev	Date	Description

ALL DIMENSIONS IN (mm)  
 UNLESS OTHERWISE SPECIFIED  
 BREAK ALL SHARP EDGES

TOLERANCES  
 (BEFORE PAINTING  
 & AFTER PLATING)  
 X ± 1.00  
 X.X ± 0.50  
 X.XX ± 0.10  
 ANGLES ± 0.5°

**A03- EXPLODED**  
 CLIENT: RFA  
 PROJ. NO.: TBA  
 PART NO.: --  
 Revision --  
 Page 3

**ADD BAY - DOUBLE SIDED GONDOLA - NON PERF**  
 W600 x H1815 x D270

PRODUCT CODE: **RFA1509**

Date: 5/07/2024  
 Drawn by PS  
 Checked by --

DO NOT SCALE  
 Scale@A3 1:10