

T 03 8787 3000 F 03 8787 3025  
 48-58 Cyber Loop, Dandenong South  
 VIC 3175 (AUSTRALIA)

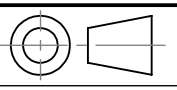
© COPYRIGHT. This drawing is the exclusive property of Associated Projects Pty Ltd. It is subject to protection and is strictly confidential. Reproduction in whole or in part is prohibited without obtaining prior permission in writing from the proprietor.

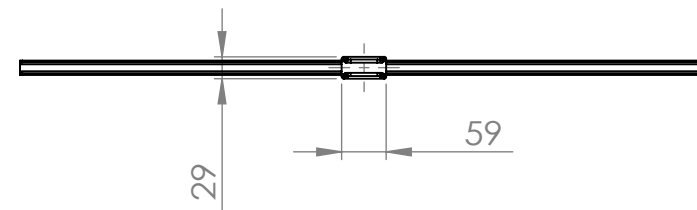
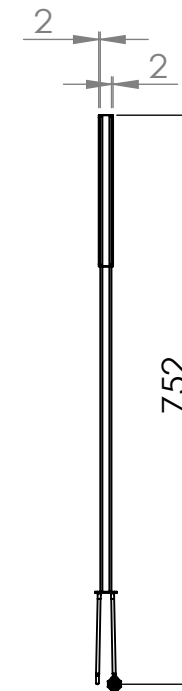
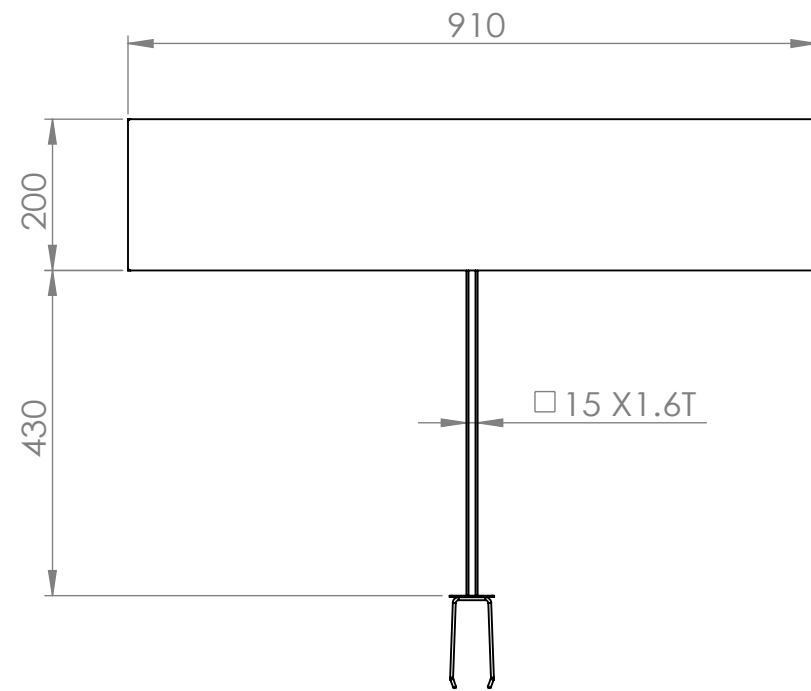
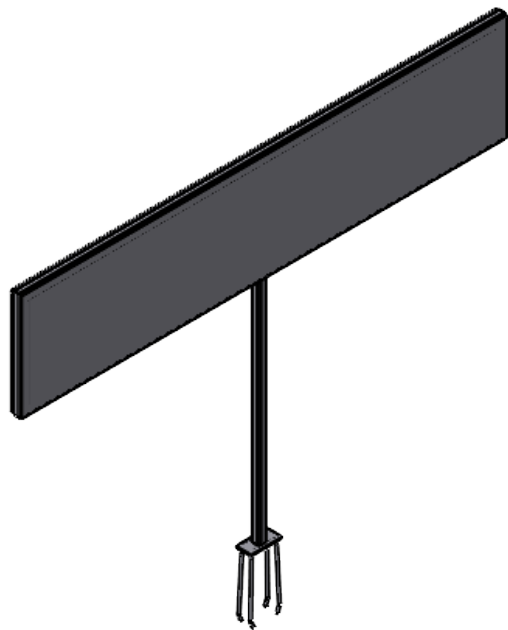
Rev	Date	Description

ALL DIMENSIONS IN (mm)  
 UNLESS OTHERWISE SPECIFIED  
 BREAK ALL SHARP EDGES

TOLERANCES  
 (BEFORE PAINTING  
 & AFTER PLATING)  
 X ± 1.00  
 X.X ± 0.50  
 X.XX ± 0.10  
 ANGLES ± 0.5°

**A01- RENDER**  
**CLIENT: -**  
**PROJ. NO.: TBA**  
**FINISH: P/C MATTE BLACK**  
**MAT'L: MILD STEEL**  
**Page 1**

<b>SIGN - GONDOLA BUS STOP</b>		
-		
<b>PRODUCT CODE: RFA1368</b>		<b>DO NOT SCALE</b> <b>Scale@A3 1:1</b>
Date:	11/09/2023	
Drawn by	DH	
Checked by	NP	



T 03 8787 3000 F 03 8787 3025  
48-58 Cyber Loop, Dandenong South  
VIC 3175 (AUSTRALIA)

© COPYRIGHT. This drawing is the exclusive property of Associated Projects Pty Ltd. It is subject to protection and is strictly confidential. Reproduction in whole or in part is prohibited without obtaining prior permission in writing from the proprietor.

Rev	Date	Description

ALL DIMENSIONS IN (mm)  
UNLESS OTHERWISE SPECIFIED  
BREAK ALL SHARP EDGES

TOLERANCES  
(BEFORE PAINTING  
& AFTER PLATING)  
X ± 1.00  
X.X ± 0.50  
X.XX ± 0.10  
ANGLES ± 0.5°

**A02- COMPONENT**  
**CLIENT:** -  
**PROJ. NO.:** TBA  
**FINISH:** P/C MATTE BLACK  
**MAT'L:** MILD STEEL  
**Page** 2

**SIGN - GONDOLA BUS STOP**

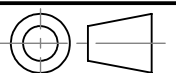
-

**PRODUCT CODE:** RFA1368

**Date:** 11/09/2023

**Drawn by:** DH

**Checked by:** NP



DO NOT SCALE

Scale@A3 1:10