

Rev	Date	Description

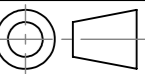
ALL DIMENSIONS IN (mm)
UNLESS OTHERWISE SPECIFIED
BREAK ALL SHARP EDGES

TOLERANCES
(BEFORE PAINTING
& AFTER PLATING)
X ± 1.00
X.X ± 0.50
X.XX ± 0.10
ANGLES ± 0.5°

A01- RENDER
CLIENT: -
PROJ. NO.: TBA
PART NO.: --
Revision --
Page 1

WIRE BASKET DIVIDER

PRODUCT CODE: **RFA1382**
Date: 13/07/2022
Drawn by DH
Checked by --


DO NOT SCALE
Scale@A3 1:2



Rev	Date	Description

ALL DIMENSIONS IN (mm)
UNLESS OTHERWISE SPECIFIED
BREAK ALL SHARP EDGES

TOLERANCES
(BEFORE PAINTING
& AFTER PLATING)
X ± 1.00
X.X ± 0.50
X.XX ± 0.10
ANGLES ± 0.5°

A02- CLIENT

CLIENT: -
PROJ. NO.: TBA
PART NO.: --
Revision --
Page 2

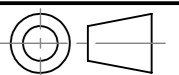
WIRE BASKET DIVIDER

PRODUCT CODE: **RFA1382**

Date: 13/07/2022

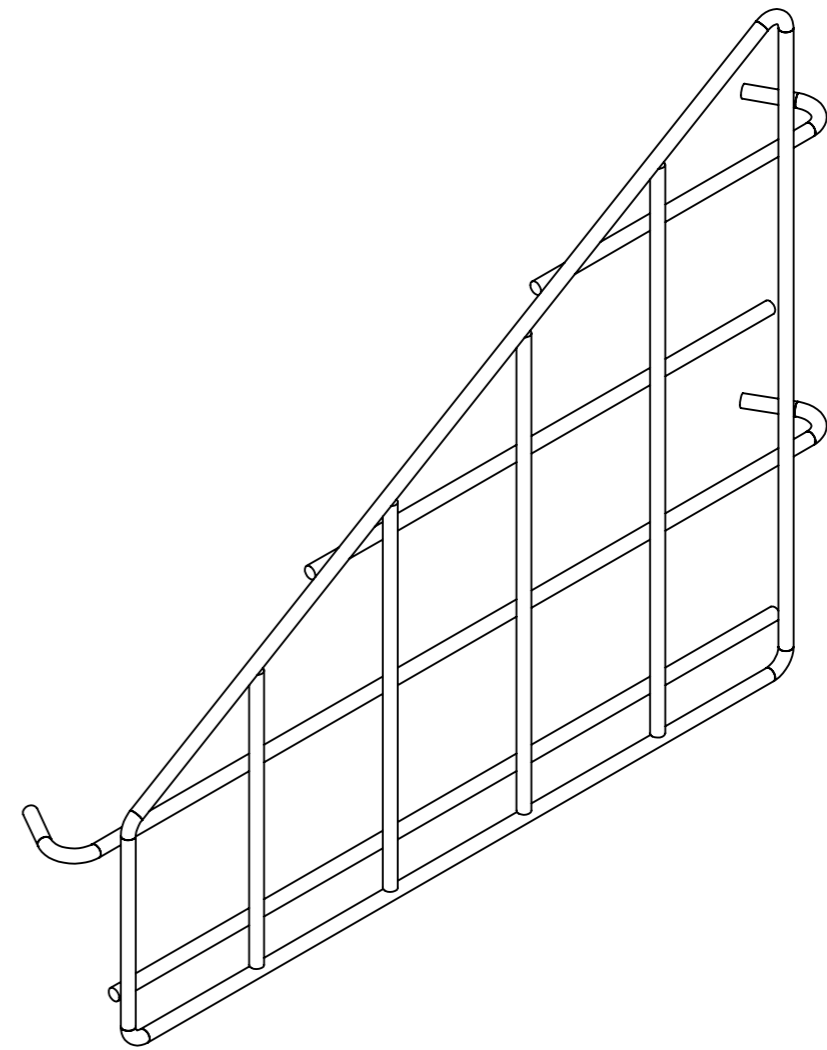
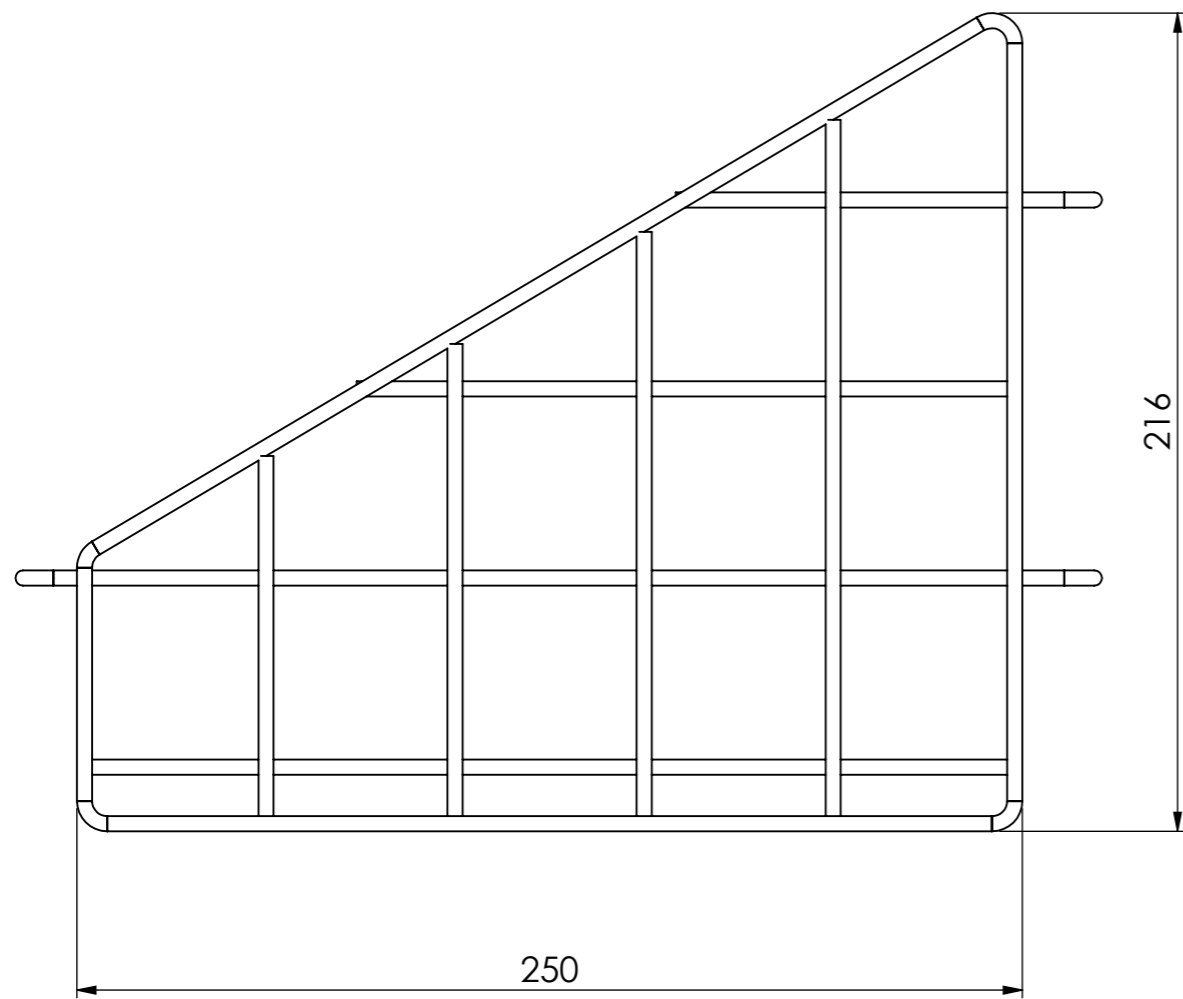
Drawn by DH

Checked by --



DO NOT SCALE

Scale@A3 1:2



Rev	Date	Description

ALL DIMENSIONS IN (mm)
UNLESS OTHERWISE SPECIFIED
BREAK ALL SHARP EDGES

TOLERANCES
(BEFORE PAINTING
& AFTER PLATING)
X ± 1.00
X.X ± 0.50
X.XX ± 0.10
ANGLES ± 0.5°

A03- CLIENT

CLIENT: -
PROJ. NO.: TBA
PART NO.: --
Revision --
Page 3

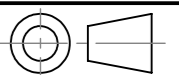
WIRE BASKET DIVIDER

PRODUCT CODE: **RFA1382**

Date: 13/07/2022

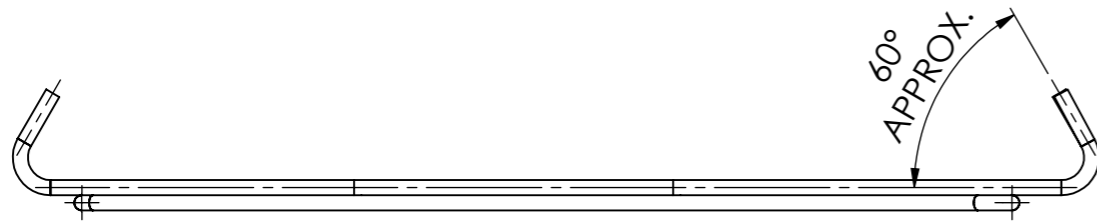
Drawn by DH

Checked by --

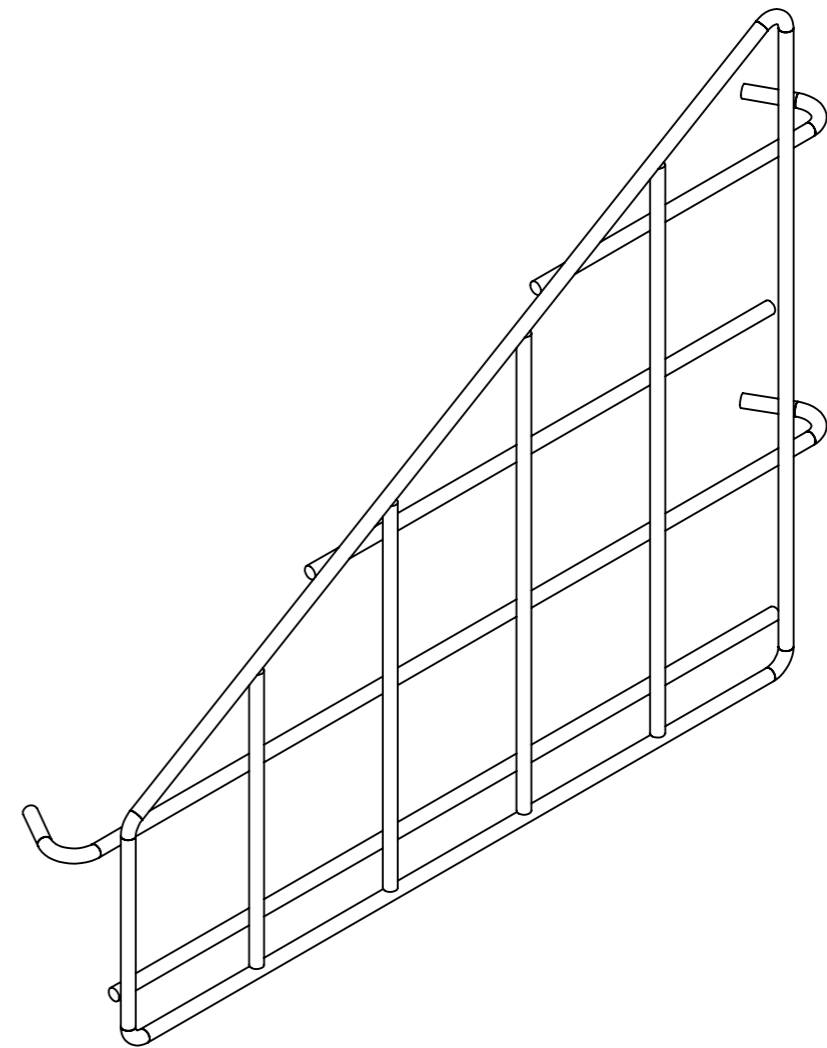
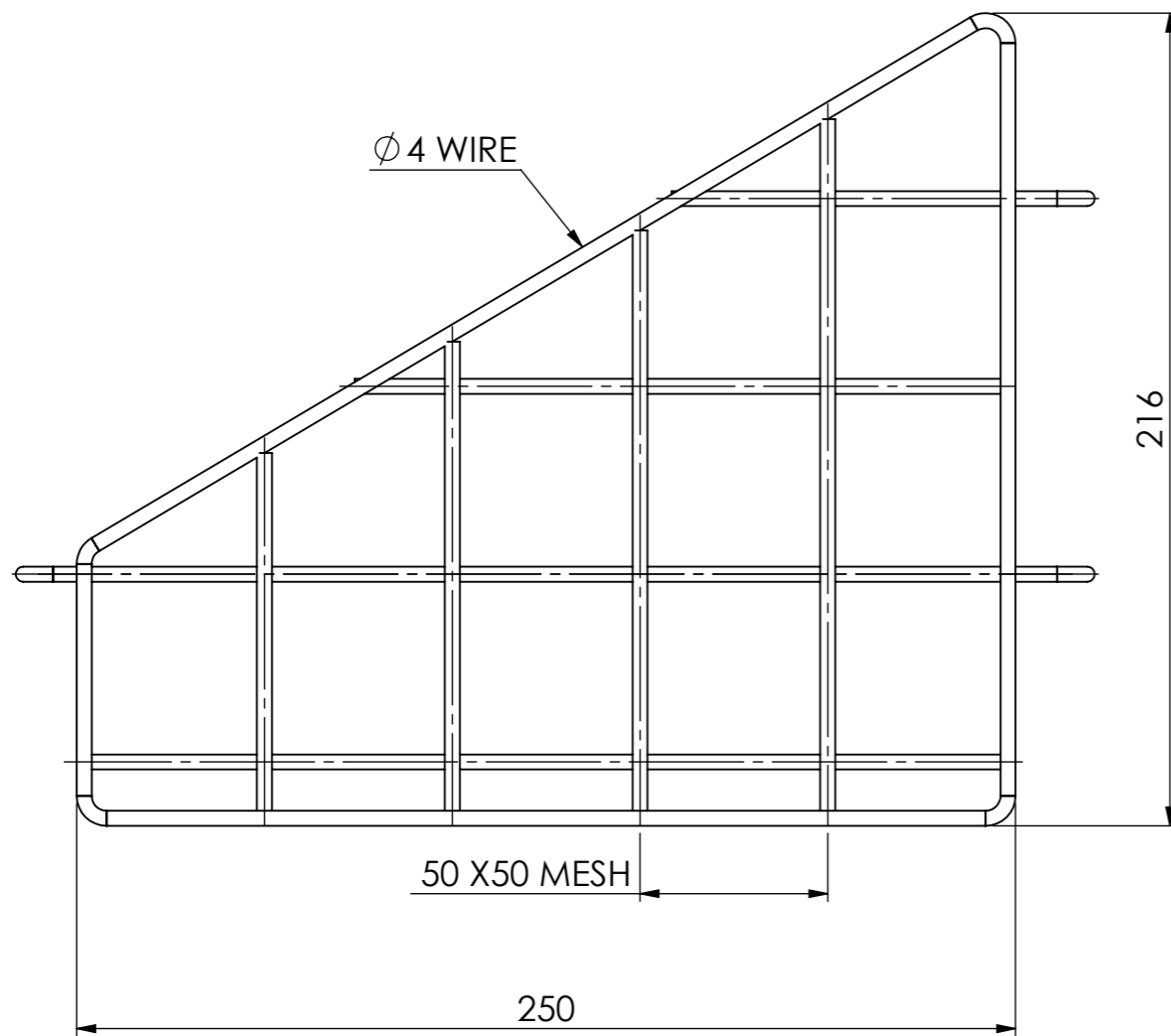


DO NOT SCALE

Scale@A3 1:2



** THIS DIVIDER NEED TO FIT WITH THE WIRE BASKET



Rev	Date	Description

ALL DIMENSIONS IN (mm)
UNLESS OTHERWISE SPECIFIED
BREAK ALL SHARP EDGES

TOLERANCES
(BEFORE PAINTING
& AFTER PLATING)
X ± 1.00
X.X ± 0.50
X.XX ± 0.10
ANGLES ± 0.5°

A04- MECHANICAL
CLIENT: -
PROJ. NO.: TBA
PART NO.: --
Revision --
Page 4

WIRE BASKET DIVIDER	
PRODUCT CODE:	RFA1382
Date:	13/07/2022
Drawn by	DH
Checked by	--

DO NOT SCALE
Scale@A3 1:2