



Rev	Date	Description

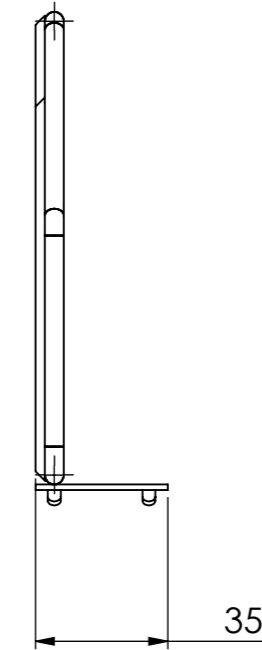
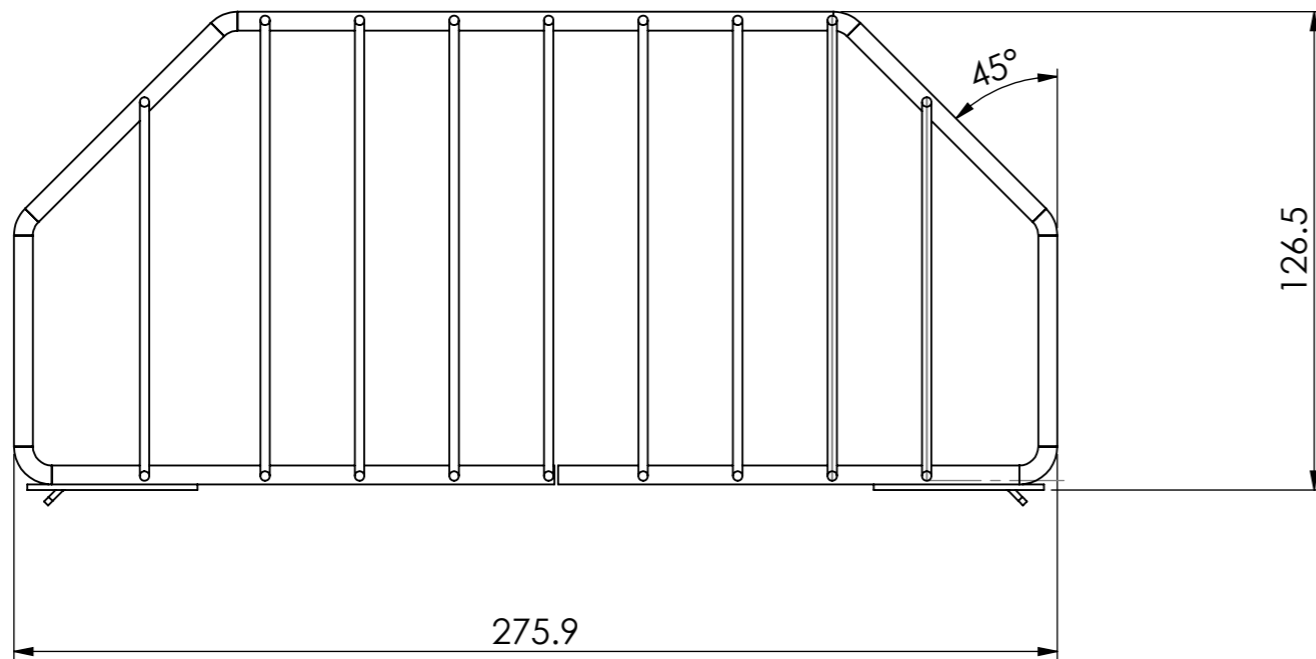
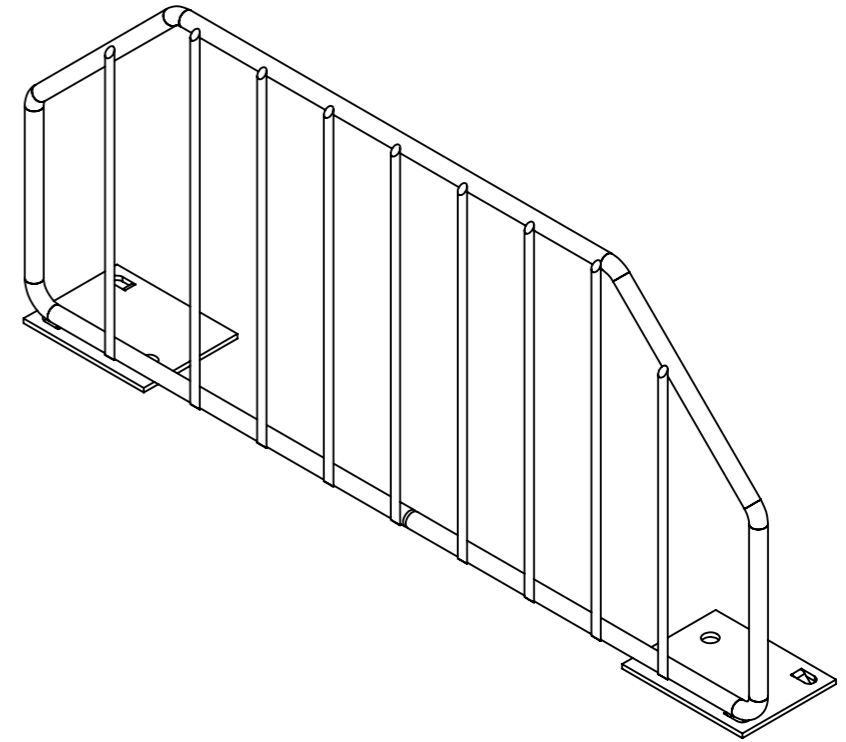
ALL DIMENSIONS IN (mm)
UNLESS OTHERWISE SPECIFIED
BREAK ALL SHARP EDGES

TOLERANCES
(BEFORE PAINTING
& AFTER PLATING)
X ± 1.00
X.X ± 0.50
X.XX ± 0.10
ANGLES ± 0.5°

A01- RENDER
CLIENT: RFA
PROJ. NO.: TBA
PART NO.: --
Revision --
Page 1

RFA 600(W) X 270(W) WIRE DIVIDER

PRODUCT CODE:	RFA1348	
Date:	11/07/2022	
Drawn by	DH	DO NOT SCALE
Checked by	--	Scale@A3 1:2



Rev	Date	Description

ALL DIMENSIONS IN (mm)
UNLESS OTHERWISE SPECIFIED
BREAK ALL SHARP EDGES

TOLERANCES
(BEFORE PAINTING
& AFTER PLATING)
X ± 1.00
X.X ± 0.50
X.XX ± 0.10
ANGLES ± 0.5°

A02-CLIENT
CLIENT: RFA
PROJ. NO.: TBA
PART NO.: --
Revision --
Page 2

RFA 600(W) X 270(W) WIRE DIVIDER	
PRODUCT CODE:	RFA1348
Date:	11/07/2022
Drawn by	DH
Checked by	--

DO NOT SCALE
Scale@A3 1:2