



FINISH: PEARL WHITE

AP ASSOCIATED PROJECTS COMMERCIAL BUILDERS,
PROJECT MANAGERS,
PLANNERS & DESIGNERS

T 03 8787 3000 F 03 8787 3025
48-58 Cyber Loop, Dandenong South VIC 3175

Rev	Date	Description

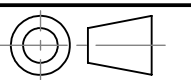
ALL DIMENSIONS IN (mm)
UNLESS OTHERWISE SPECIFIED
BREAK ALL SHARP EDGES

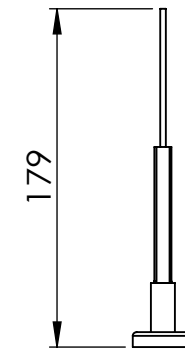
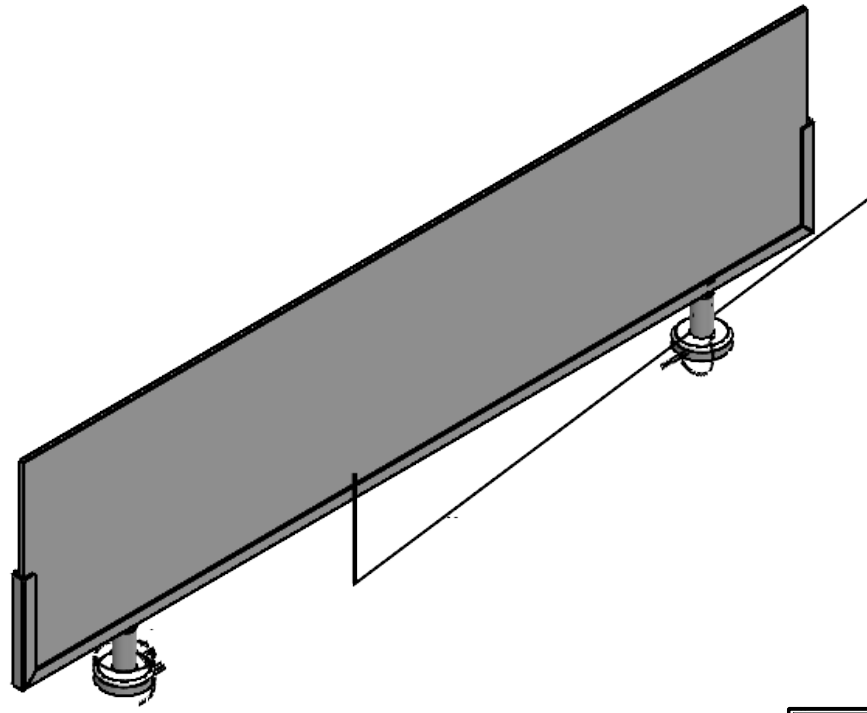
TOLERANCES
(BEFORE PAINTING
& AFTER PLATING)
X ± 1.00
X.X ± 0.50
X.XX ± 0.10
ANGLES ± 0.5°

A01- RENDER
CLIENT: RFA1327
PROJ. NO.: TBA
PART NO.: --
Revision --
Page 1

**200(H) GONDOLA TOPPER SIGNS - W/.
MAGNETS (PEARL WHITE)**
-

PRODUCT CODE: -
Date: 8/08/2023
Drawn by DH
Checked by --


DO NOT SCALE
Scale@A3 1:1



Rev	Date	Description

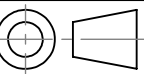
ALL DIMENSIONS IN (mm)
UNLESS OTHERWISE SPECIFIED
BREAK ALL SHARP EDGES

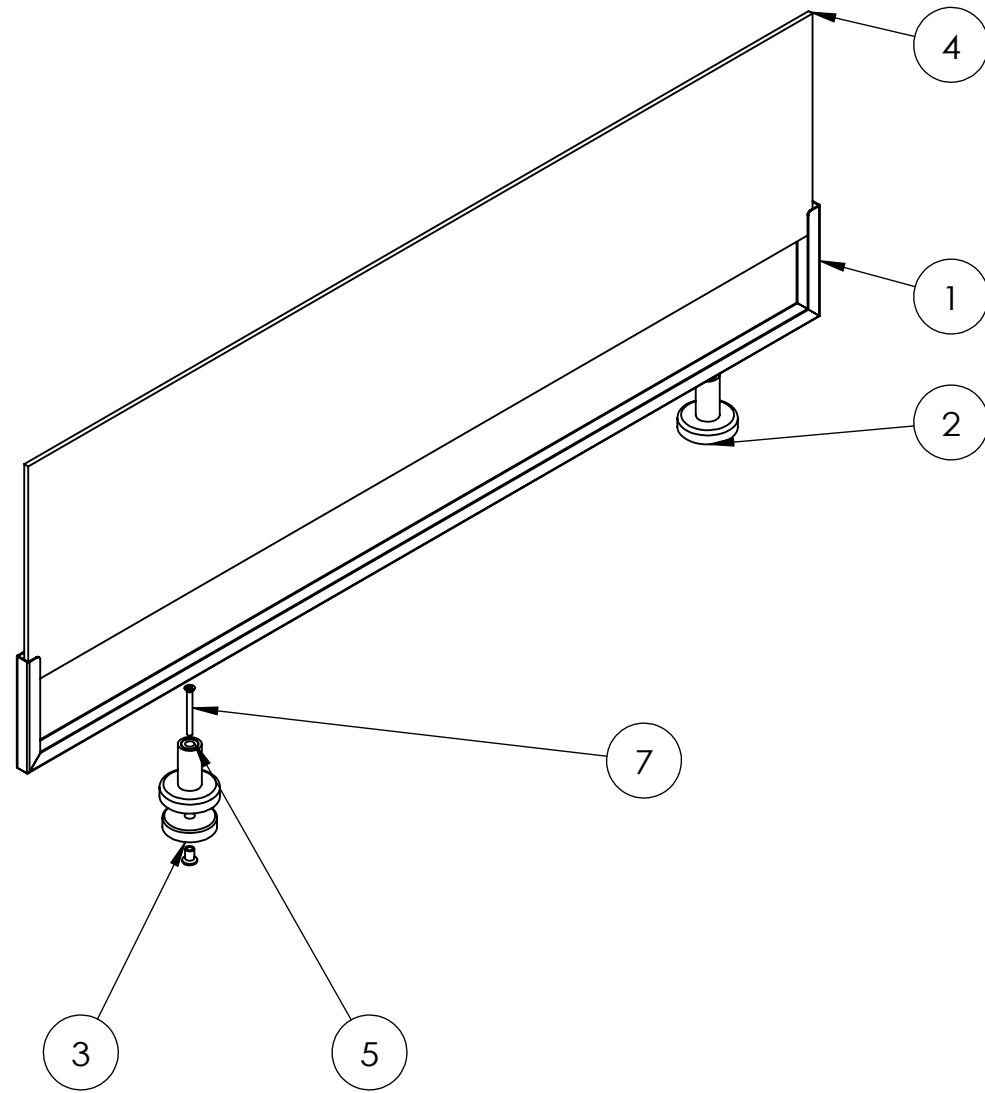
TOLERANCES
(BEFORE PAINTING
& AFTER PLATING)
X ± 1.00
X.X ± 0.50
X.XX ± 0.10
ANGLES ± 0.5°

A02- RENDER
CLIENT: RFA1327
PROJ. NO.: TBA
PART NO.: --
Revision --
Page 2

200(H) GONDOLA TOPPER SIGNS - W/
MAGNETS (PEARL WHITE)

PRODUCT CODE: -
Date: 8/08/2023
Drawn by DH
Checked by --


DO NOT SCALE
Scale@A3 1:4



ITEM NO.	PRODUCT CODE	DESCRIPTION	FINISH	QTY.
1	RFA1327	SIGN GONDOLA TOPPER FRAME	PEARL WHITE	1
2	RFA1327	GTS MAGNET HOLDER	PEARL WHITE	2
3	RFA1327	GST HOLED MANGET	PEARL WHITE	2
4	RFA1327	GTS SIGN PANEL - ARTWORK	-	1
5	RFA1327	GTS SLEEVE	PEARL WHITE	2
6	-	BARREL NUT CSK M3	RAW	2
7		M3 X 30 CSK HEX SCREW		2

Rev	Date	Description

ALL DIMENSIONS IN (mm)
UNLESS OTHERWISE SPECIFIED
BREAK ALL SHARP EDGES

TOLERANCES
(BEFORE PAINTING
& AFTER PLATING)
X ± 1.00
X.X ± 0.50
X.XX ± 0.10
ANGLES ± 0.5°

A03- RENDER

CLIENT: RFA1327

PROJ. NO.: TBA

PART NO.: --

Revision --

Page 3

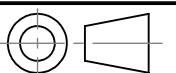
200(H) GONDOLA TOPPER SIGNS - W/
MAGNETS (PEARL WHITE)

PRODUCT CODE: -

Date: 8/08/2023

Drawn by DH

Checked by --



DO NOT SCALE

Scale@A3 1:5