

Rev	Date	Description

ALL DIMENSIONS IN (mm)
UNLESS OTHERWISE SPECIFIED
BREAK ALL SHARP EDGES

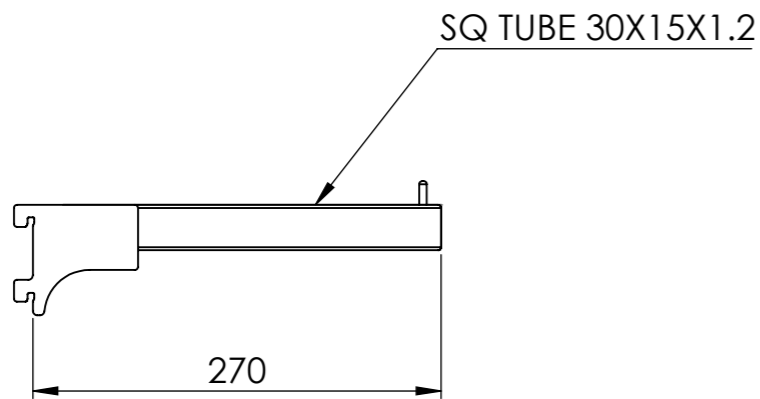
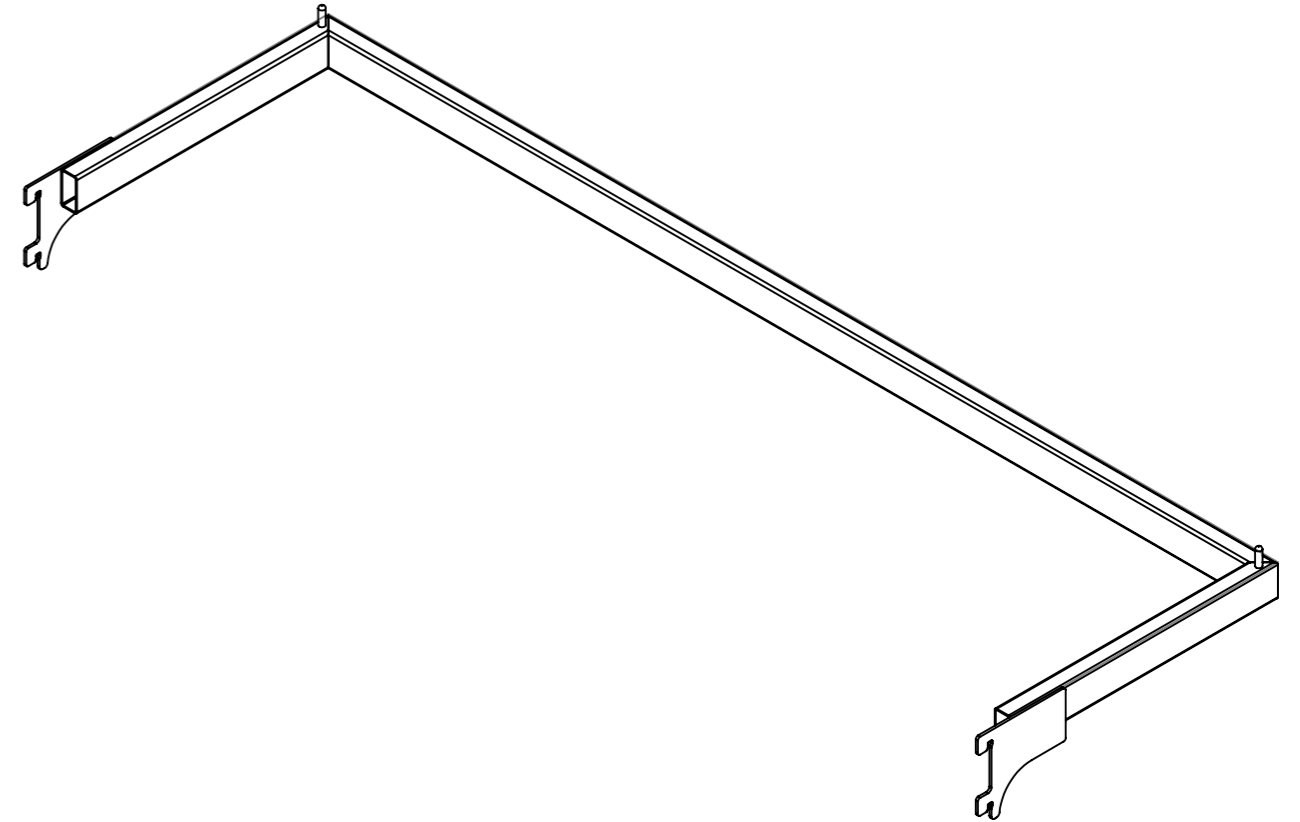
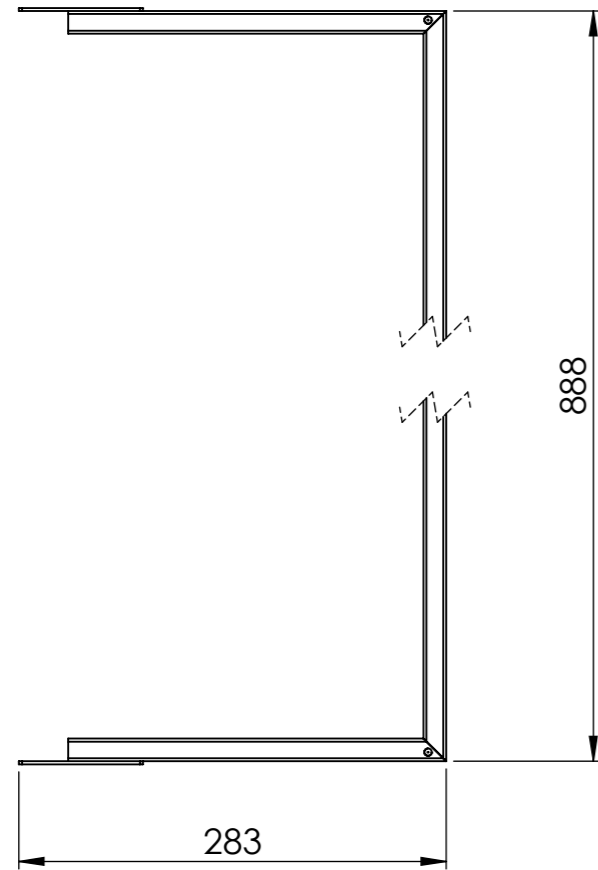
TOLERANCES
(BEFORE PAINTING
& AFTER PLATING)
X ± 1.00
X.X ± 0.50
X.XX ± 0.10
ANGLES ± 0.5°

A01-RENDER

CLIENT: RFA
PROJ. NO.: TBA
PART NO.: --
Revision --
Page 1

900mm(W) X 270mm(D) HANG RAIL

PRODUCT CODE:	-	
Date:	23/06/2022	
Drawn by	DH	DO NOT SCALE
Checked by	--	Scale@A3 1:5



Rev	Date	Description

ALL DIMENSIONS IN (mm)
UNLESS OTHERWISE SPECIFIED
BREAK ALL SHARP EDGES

TOLERANCES
(BEFORE PAINTING
& AFTER PLATING)
X ± 1.00
X.X ± 0.50
X.XX ± 0.10
ANGLES ± 0.5°

A02-CLIENT
CLIENT: RFA
PROJ. NO.: TBA
PART NO.: --
Revision --
Page 2

900mm(W) X 270mm(D) HANG RAIL	
PRODUCT CODE: -	
Date: 23/06/2022	DO NOT SCALE
Drawn by DH	Scale@A3 1:5
Checked by --	