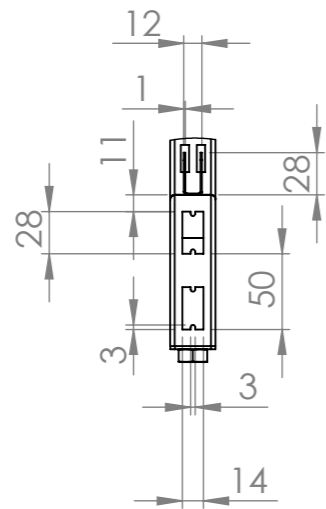
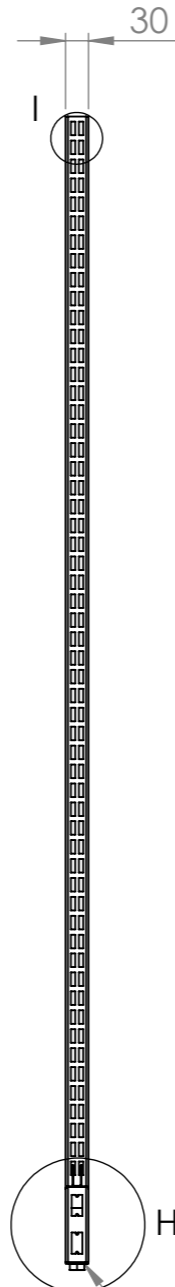


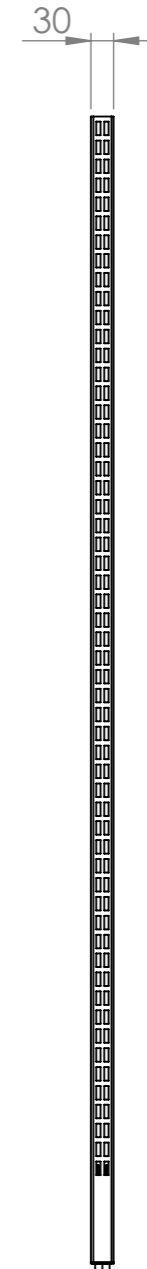
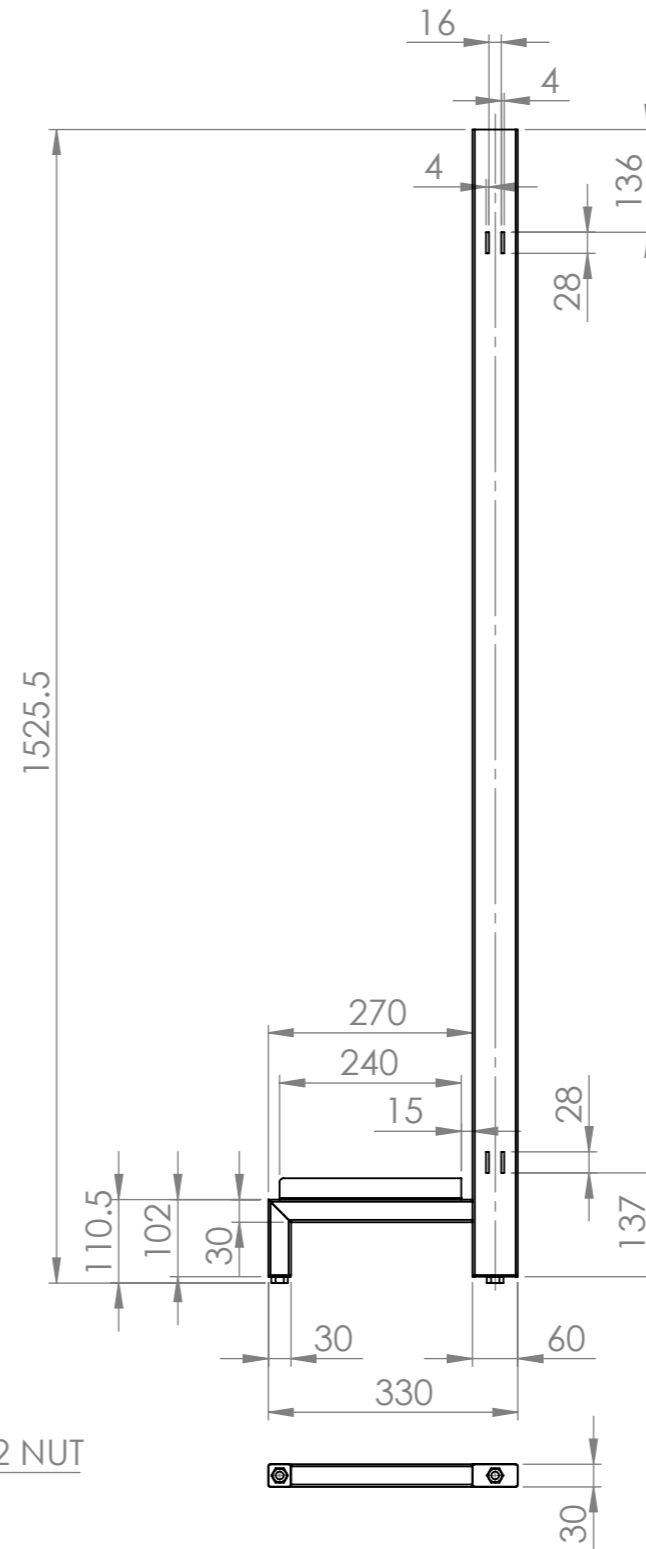
DETAIL I  
SCALE 1 : 5



DETAIL H  
SCALE 1 : 5



WELD M12 NUT



No.	Date	Description