

T 03 8787 3000 F 03 8787 3025
 48-58 Cyber Loop, Dandenong South
 VIC 3175 (AUSTRALIA)

© COPYRIGHT. This drawing is the exclusive property of Associated Projects Pty Ltd. It is subject to protection and is strictly confidential. Reproduction in whole or in part is prohibited without obtaining prior permission in writing from the proprietor.

Rev	Date	Description

ALL DIMENSIONS IN (mm)
 UNLESS OTHERWISE SPECIFIED
 BREAK ALL SHARP EDGES

TOLERANCES
 (BEFORE PAINTING
 & AFTER PLATING)
 X ± 1.00
 X.X ± 0.50
 X.XX ± 0.10
 ANGLES ± 0.5°

A01- RENDER

CLIENT: -

PROJ. NO.: TBA

FINISH: ZINC PLATED

MAT'L: MILD STEEL

Page 1

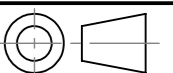
BOLTS AND WINGNUTS - TO SUIT DENSE END BRACKETS

PRODUCT CODE: **RFA1127**

Date: 4/09/2023

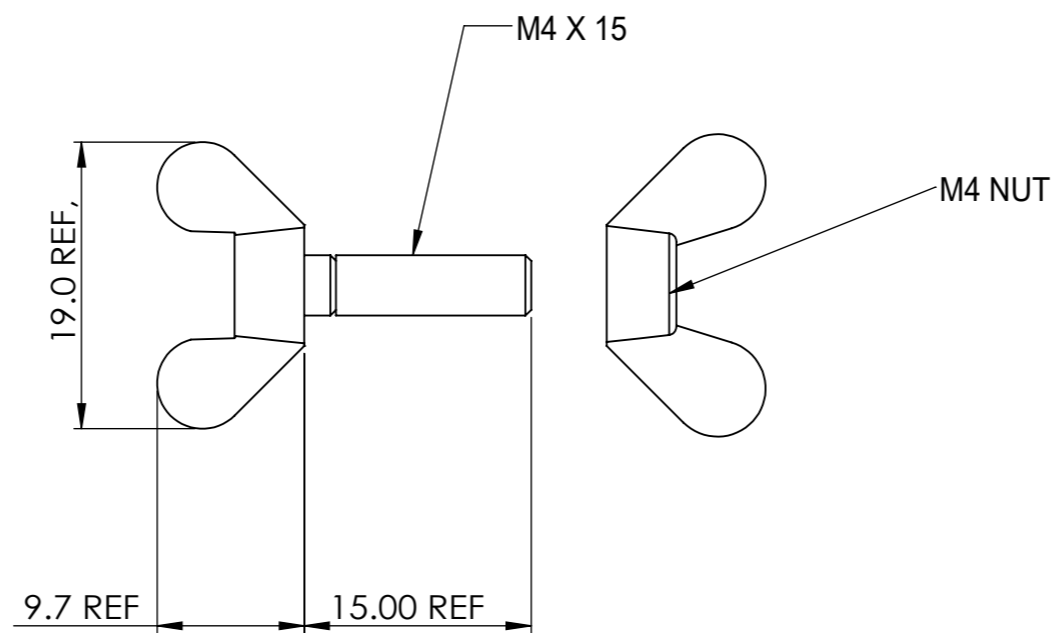
Drawn by DH

Checked by NP



DO NOT SCALE

Scale@A3 2:1



T 03 8787 3000 F 03 8787 3025
 48-58 Cyber Loop, Dandenong South
 VIC 3175 (AUSTRALIA)

© COPYRIGHT. This drawing is the exclusive property of Associated Projects Pty Ltd. It is subject to protection and is strictly confidential. Reproduction in whole or in part is prohibited without obtaining prior permission in writing from the proprietor.

Rev	Date	Description

ALL DIMENSIONS IN (mm)
 UNLESS OTHERWISE SPECIFIED
 BREAK ALL SHARP EDGES

TOLERANCES
 (BEFORE PAINTING
 & AFTER PLATING)
 X ± 1.00
 X.X ± 0.50
 X.XX ± 0.10
 ANGLES ± 0.5°

A02- COMPONENT

CLIENT: -

PROJ. NO.: TBA

FINISH: ZINC PLATED

MAT'L: MILD STEEL

Page 2

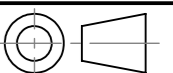
BOLTS AND WINGNUTS - TO SUIT DENSE END BRACKETS

PRODUCT CODE: **RFA1127**

Date: 4/09/2023

Drawn by DH

Checked by NP



DO NOT SCALE

Scale@A3 2:1