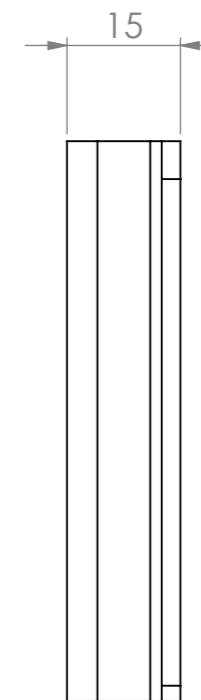
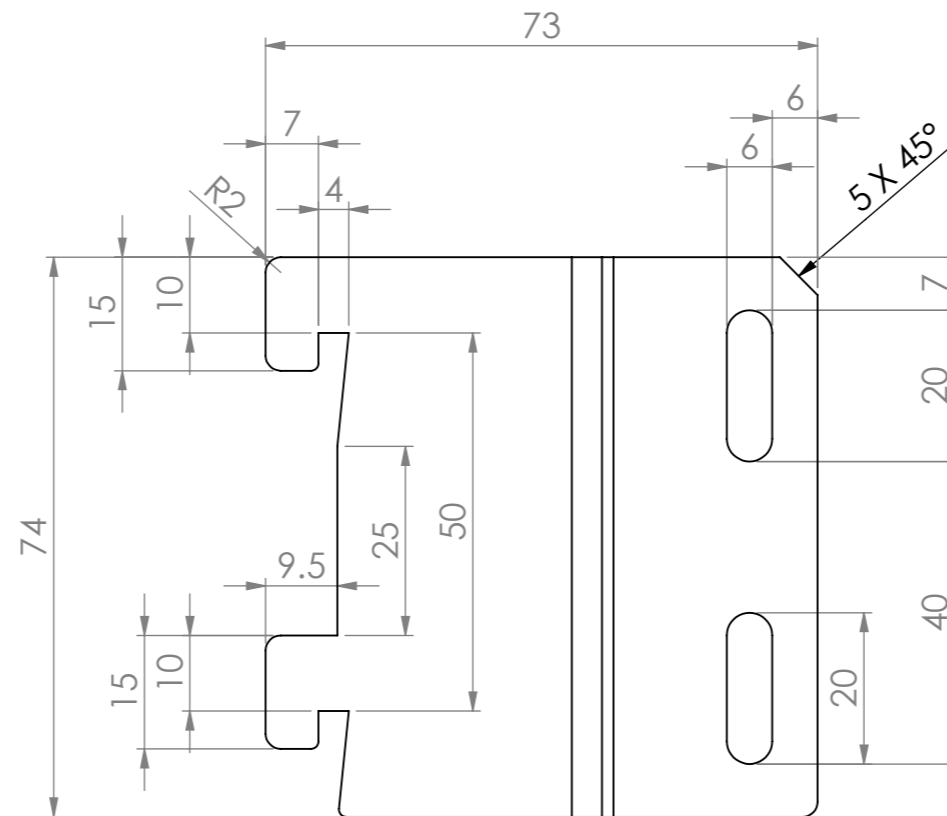
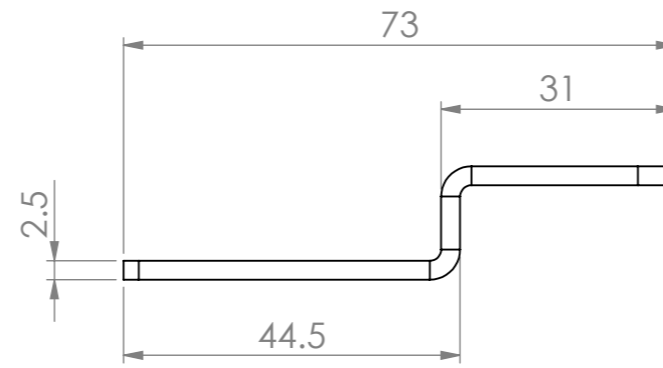


LHS

RHS



Rev	Date	Description

ALL DIMENSIONS IN (mm)
UNLESS OTHERWISE SPECIFIED
BREAK ALL SHARP EDGES

TOLERANCES
(BEFORE PAINTING
& AFTER PLATING)
X ± 1.00
X.X ± 0.50
X.XX ± 0.10
ANGLES ± 0.5°

A010-MECHANICAL
CLIENT: --
PROJ. NO.: TBA
PART NO.: --
Revision --
Page 10

BRACKET	
PRODUCT CODE:	-
Date:	26/10/2022
Drawn by	DH
Checked by	--

DO NOT SCALE

Scale@A3 1:1