

T 03 8787 3000 F 03 8787 3025
 48-58 Cyber Loop, Dandenong South
 VIC 3175 (AUSTRALIA)

© COPYRIGHT. This drawing is the exclusive property of Associated Projects Pty Ltd. It is subject to protection and is strictly confidential. Reproduction in whole or in part is prohibited without obtaining prior permission in writing from the proprietor.

Rev	Date	Description

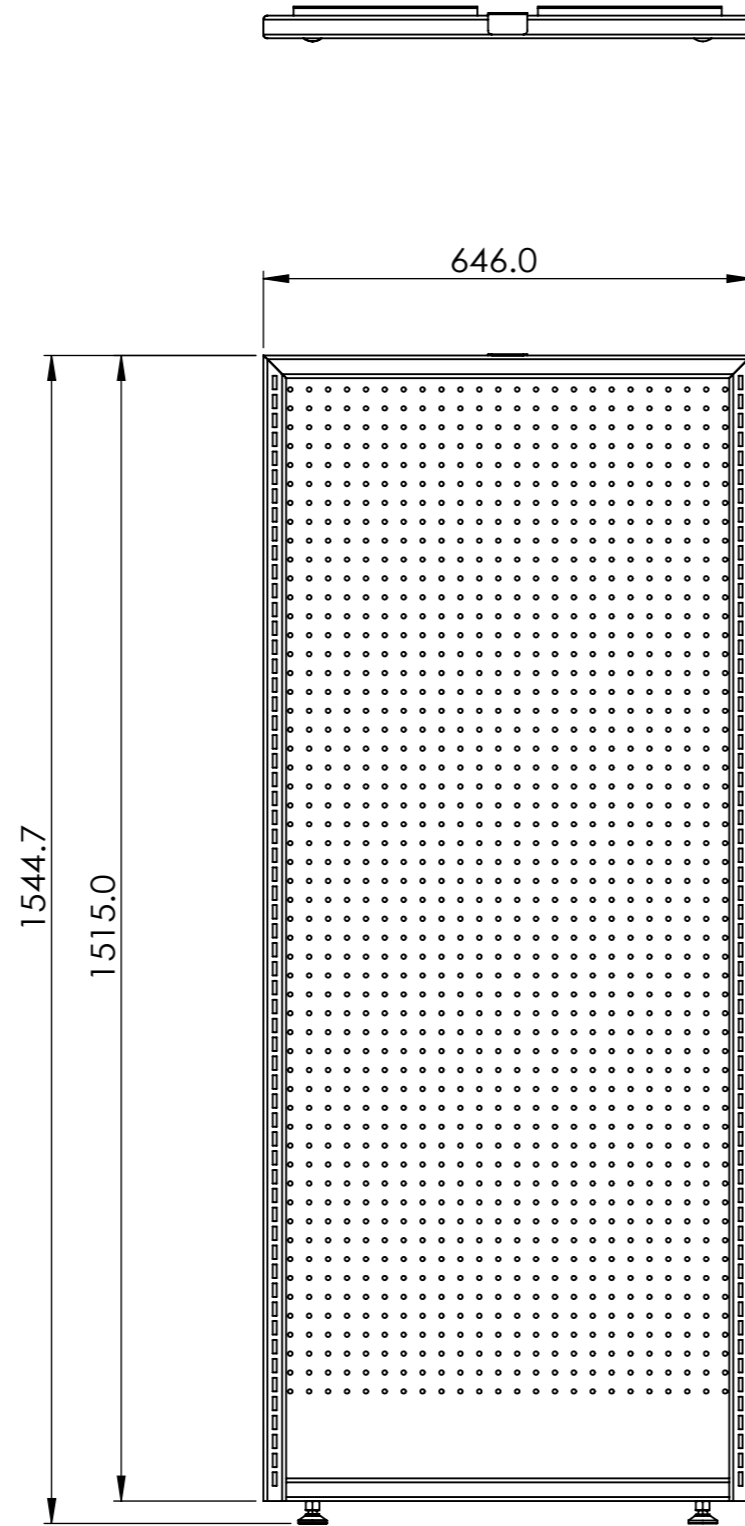
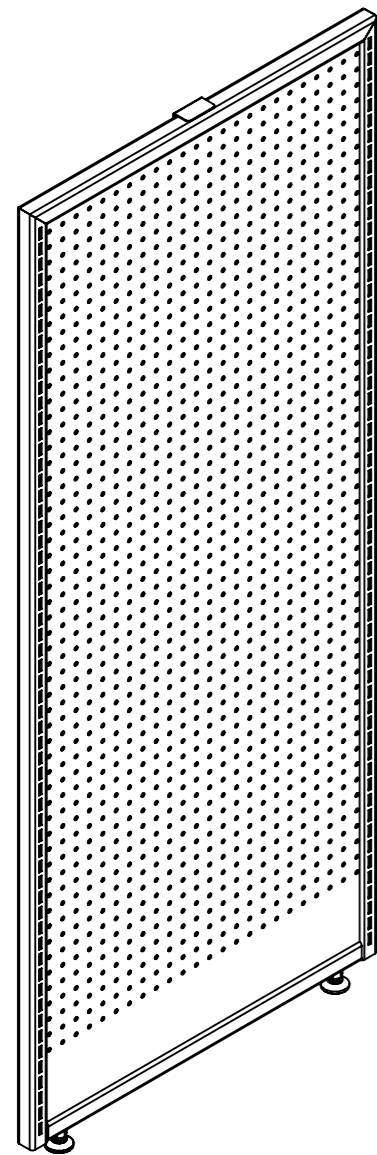
ALL DIMENSIONS IN (mm)
 UNLESS OTHERWISE SPECIFIED
 BREAK ALL SHARP EDGES

TOLERANCES
 (BEFORE PAINTING
 & AFTER PLATING)
 X ± 1.00
 X.X ± 0.50
 X.XX ± 0.10
 ANGLES ± 0.5°

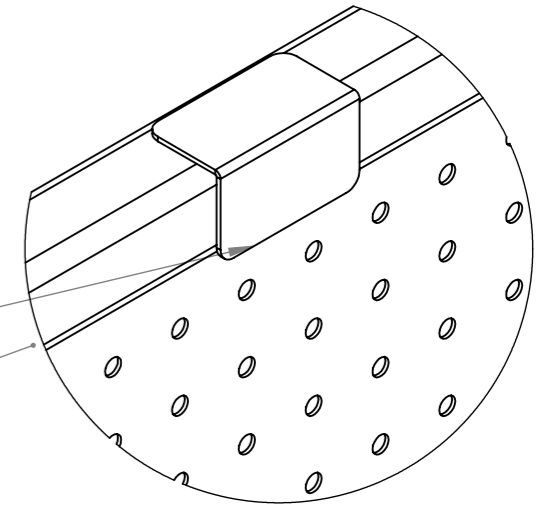
A01- RENDER
CLIENT: RFA
PROJ. NO.: TBA
FINISH: P/C PEARL WHITE
MAT'L: Material <not specified>
Page 1

END PANEL - GONDOLA - 1515 MM (H) X 650 MM (W)
- SOLID CORE - PERFORATED - W/ INTERLOCKER - PEARL WHITE

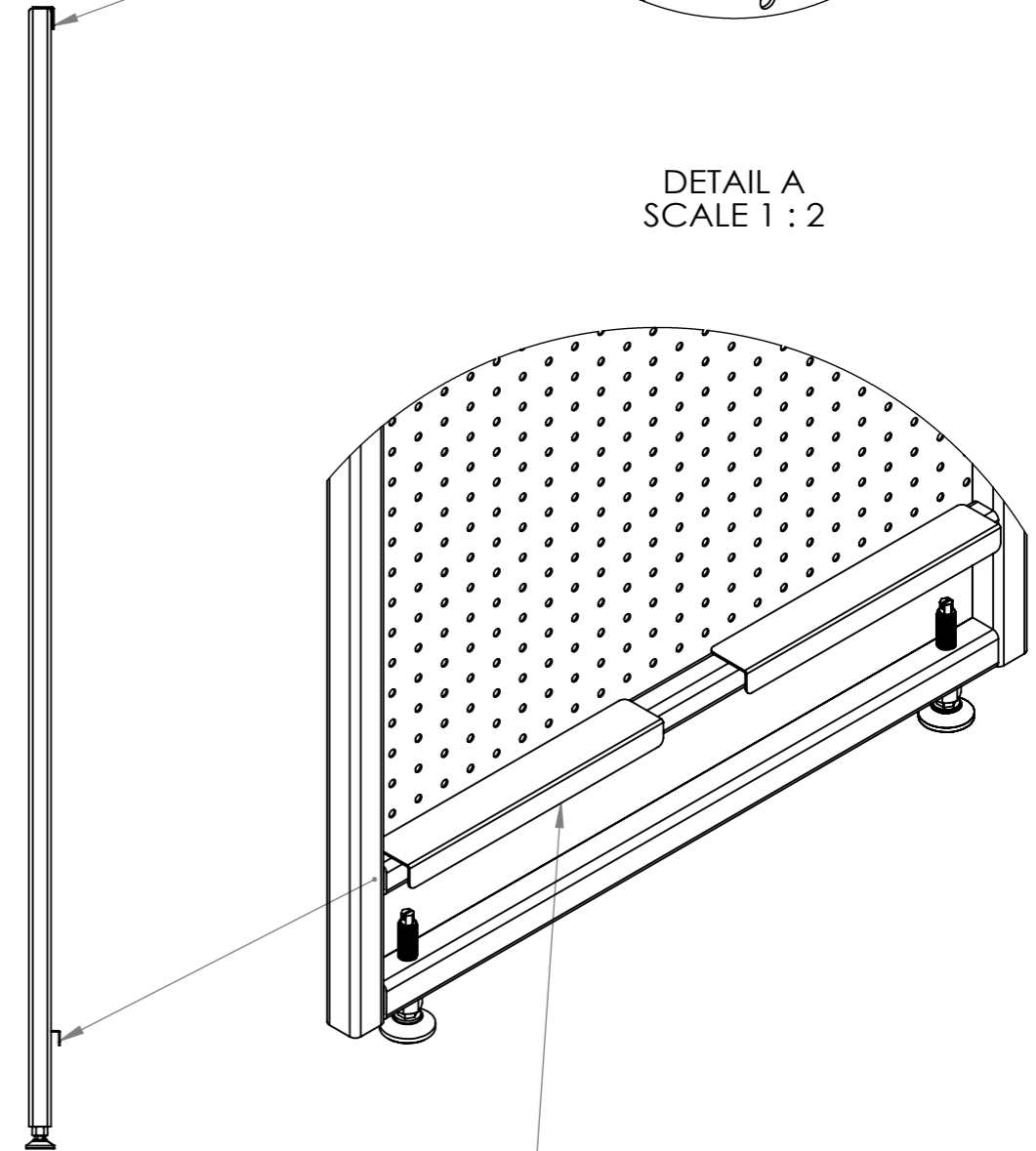
PRODUCT CODE: RFA1121		
Date:	7/09/2023	
Drawn by	PS	DO NOT SCALE
Checked by	NP	Scale@A3 1:10



LOCKS INSIDE OF THE TOP OF THE GONDOLA POST



DETAIL A
SCALE 1 : 2



LOCKS INTO THE U-CHANNEL OF THE GONDOLA POST

DETAIL B
SCALE 1 : 5



T 03 8787 3000 F 03 8787 3025
48-58 Cyber Loop, Dandenong South
VIC 3175 (AUSTRALIA)

© COPYRIGHT. This drawing is the exclusive property of Associated Projects Pty Ltd. It is subject to protection and is strictly confidential. Reproduction in whole or in part is prohibited without obtaining prior permission in writing from the proprietor.

Rev	Date	Description

ALL DIMENSIONS IN (mm)
UNLESS OTHERWISE SPECIFIED
BREAK ALL SHARP EDGES

TOLERANCES
(BEFORE PAINTING
& AFTER PLATING)
X ± 1.00
X.X ± 0.50
X.XX ± 0.10
ANGLES ± 0.5°

A02- CLIENT

CLIENT: RFA

PROJ. NO.: TBA

FINISH: P/C PEARL WHITE

MAT'L: Material <not specified>

Page 2

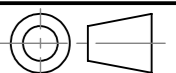
END PANEL - GONDOLA - 1515 MM (H) X 650 MM (W)
- SOLID CORE - PERFORATED - W/ INTERLOCKER -
PEARL WHITE

PRODUCT CODE: **RFA1121**

Date: 7/09/2023

Drawn by PS

Checked by NP



DO NOT SCALE

Scale@A3 1:10