



**FINISH: P/C MATTE BLACK**

**AP ASSOCIATED PROJECTS** COMMERCIAL BUILDERS,  
PROJECT MANAGERS,  
PLANNERS & DESIGNERS

T 03 8787 3000 F 03 8787 3025  
48-58 Cyber Loop, Dandenong South VIC 3175

Rev	Date	Description

ALL DIMENSIONS IN (mm)  
UNLESS OTHERWISE SPECIFIED  
BREAK ALL SHARP EDGES

TOLERANCES  
(BEFORE PAINTING  
& AFTER PLATING)  
X ± 1.00  
X.X ± 0.50  
X.XX ± 0.10  
ANGLES ± 0.5°

**A01- RENDER**

**CLIENT: RFA**

**PROJ. NO.: TBA**

**PART NO.: --**

**Revision --**

**Page 1**

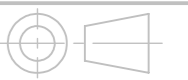
**900mm(W) x 110mm(H) x 270mm(D)**  
**SKIRT DRAWER BOX**

**PRODUCT CODE: RFA1115**

Date: 31/05/2023

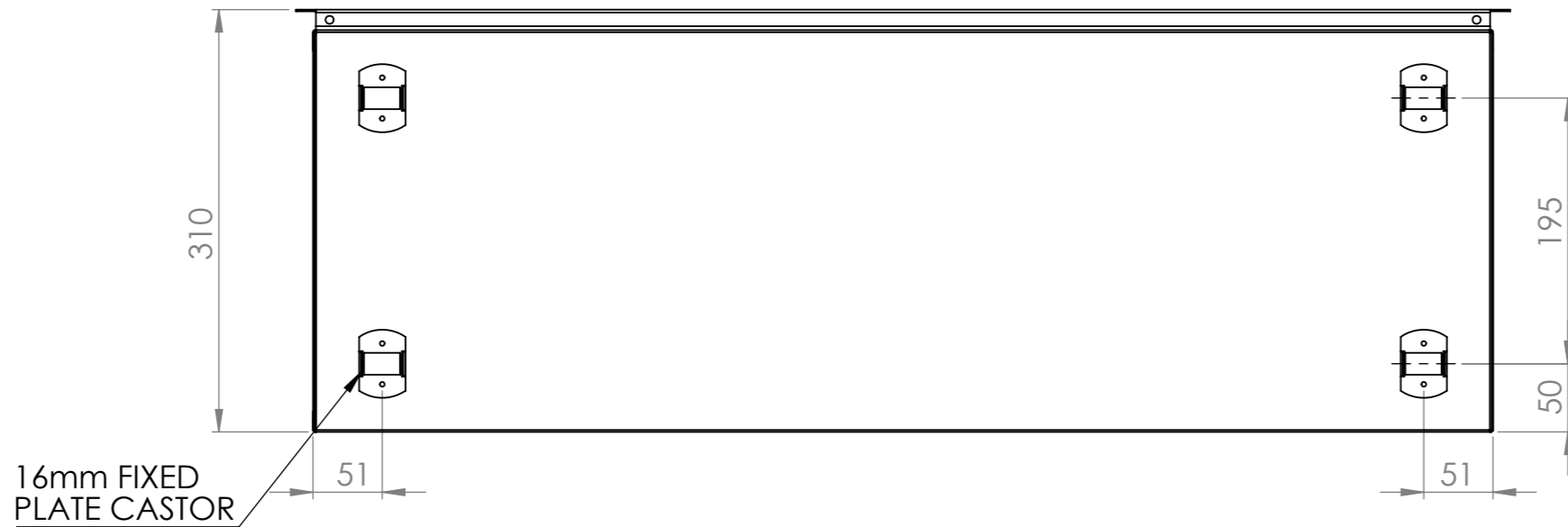
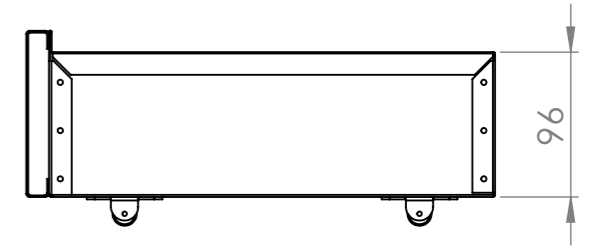
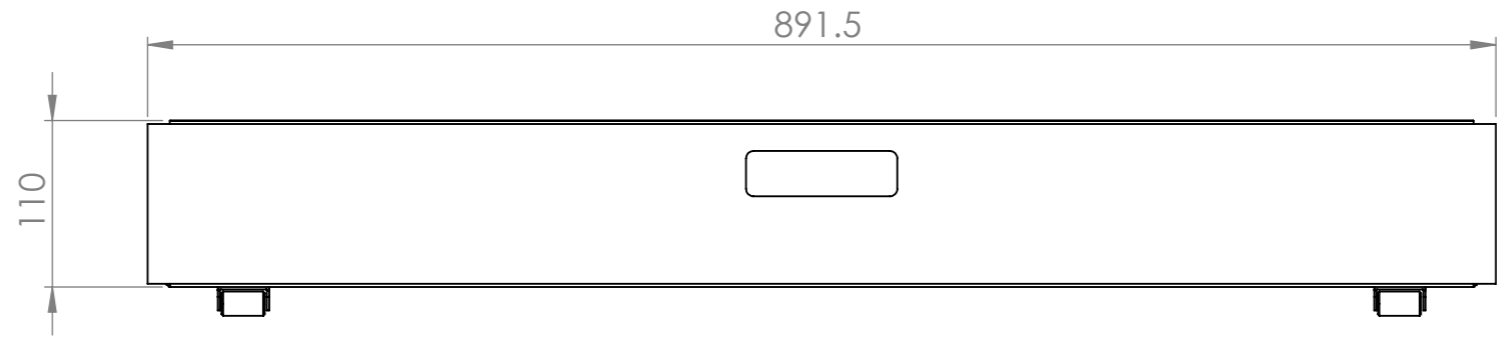
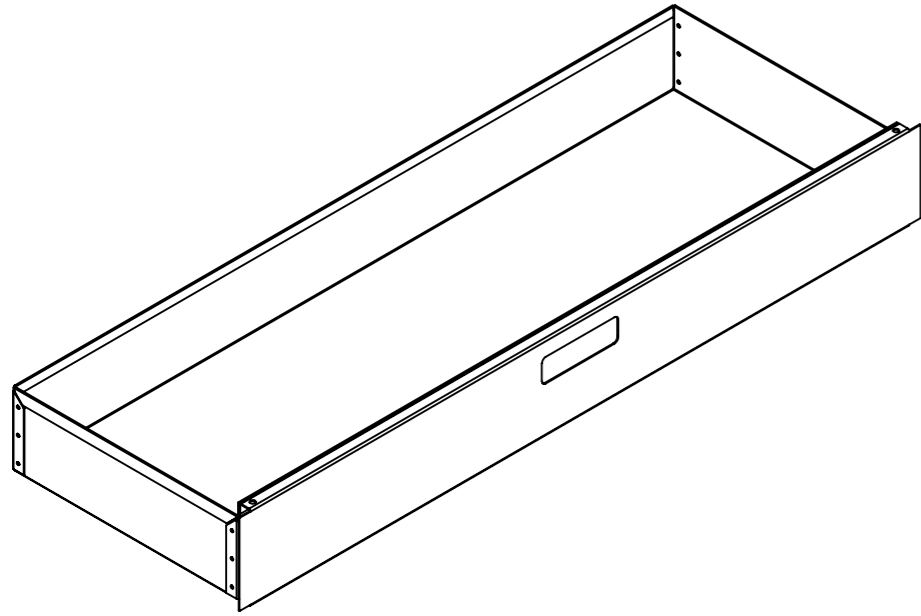
Drawn by PS

Checked by --



DO NOT SCALE

Scale@A3 1:10



Rev	Date	Description

ALL DIMENSIONS IN (mm)  
UNLESS OTHERWISE SPECIFIED  
BREAK ALL SHARP EDGES

TOLERANCES  
(BEFORE PAINTING  
& AFTER PLATING)  
X ± 1.00  
X.X ± 0.50  
X.XX ± 0.10  
ANGLES ± 0.5°

**A02- DIMENSIONS**

CLIENT: RFA  
PROJ. NO.: TBA  
PART NO.: --  
Revision --  
Page 2

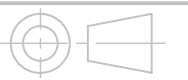
900mm(W) x 110mm(H) x 270mm(D)  
SKIRT DRAWER BOX

PRODUCT CODE: RFA1115

Date: 31/05/2023

Drawn by PS

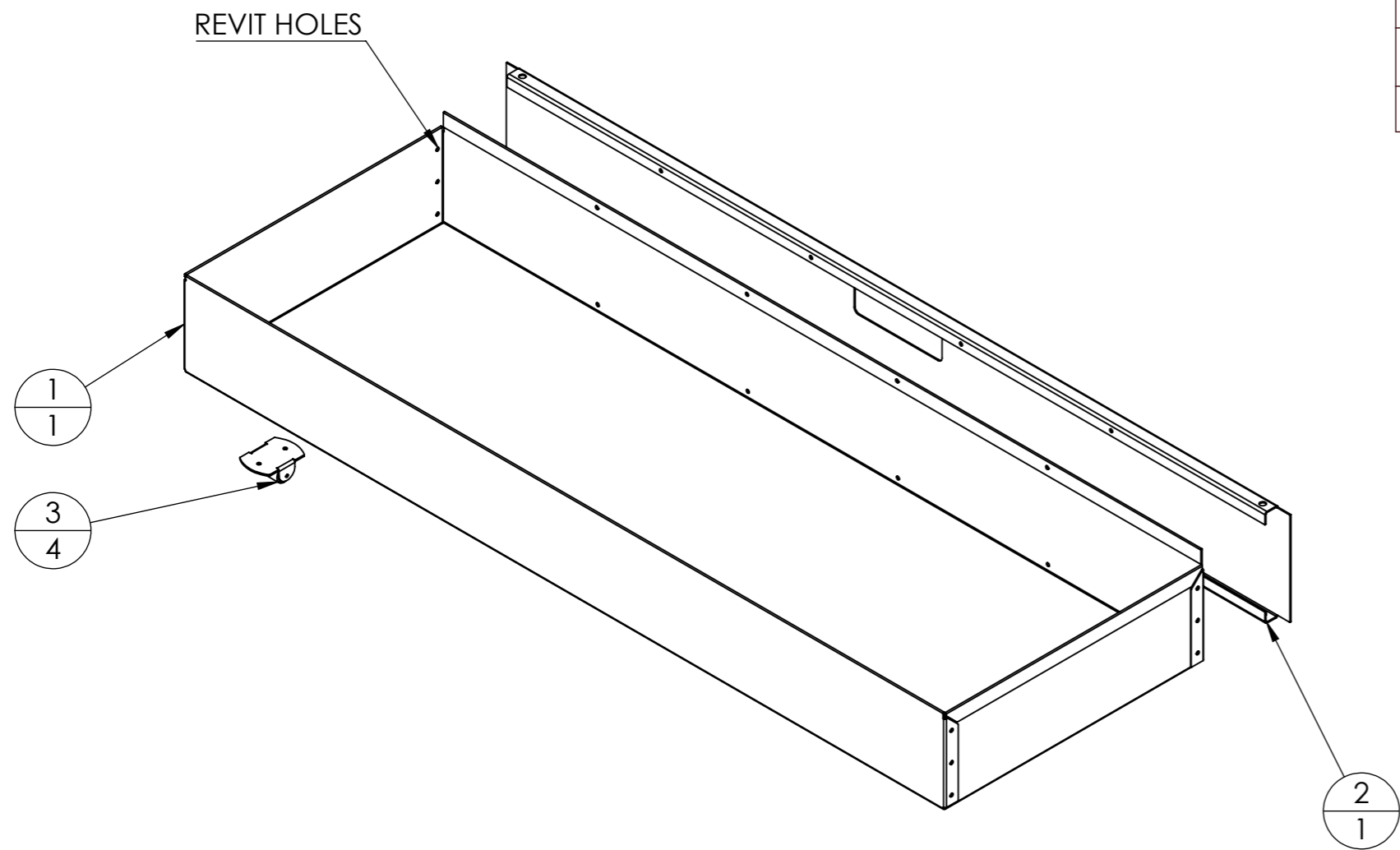
Checked by --



DO NOT SCALE

Scale@A3 1:5

ITEM NO.	PartNo	DESCRIPTION	QTY.
1		900mm(W) x 270mm(D) DRAWER BODY	1
2		900mm(W) x 110mm(H) BOTTOM SKIRT	1
3		16mm FIXED PLATE CASTOR	4



ROLLER CASTOR 16mm - SAMPLE

Rev	Date	Description

ALL DIMENSIONS IN (mm)  
UNLESS OTHERWISE SPECIFIED  
BREAK ALL SHARP EDGES

TOLERANCES  
(BEFORE PAINTING  
& AFTER PLATING)  
X ± 1.00  
X.X ± 0.50  
X.XX ± 0.10  
ANGLES ± 0.5°

A03- EXPLODED

CLIENT: RFA

PROJ. NO.: TBA

PART NO.: --

Revision --

Page 3

900mm(W) x 110mm(H) x 270mm(D)  
SKIRT DRAWER BOX

PRODUCT CODE: RFA1115

Date: 31/05/2023

Drawn by PS

Checked by --



DO NOT SCALE

Scale@A3 1:5