

FINISH: P/C MATTE BLACK

Rev	Date	Description

ALL DIMENSIONS IN (mm)  
UNLESS OTHERWISE SPECIFIED  
BREAK ALL SHARP EDGES

TOLERANCES  
(BEFORE PAINTING  
& AFTER PLATING)  
X ± 1.00  
X.X ± 0.50  
X.XX ± 0.10  
ANGLES ± 0.5°

**A01-RENDER**

CLIENT: RFA  
PROJ. NO.: TBA  
PART NO.: --  
Revision --  
Page 1

**600mm(W) x 110mm(H) x 270mm(D)**

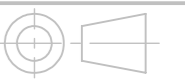
SKIRT DRAWER BOX

PRODUCT CODE: **RFA1114**

Date: 31/05/2023

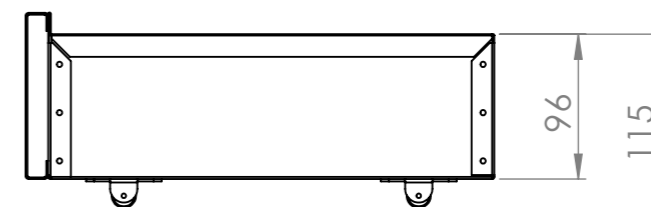
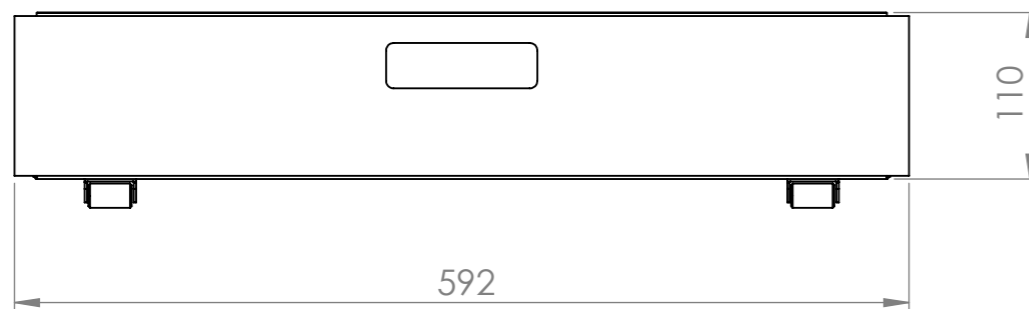
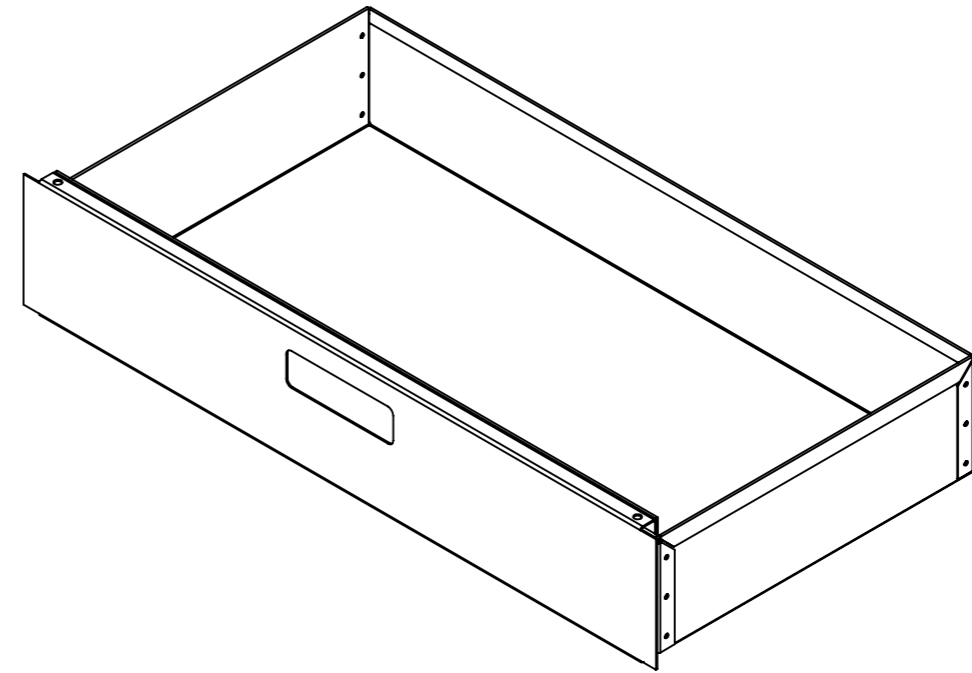
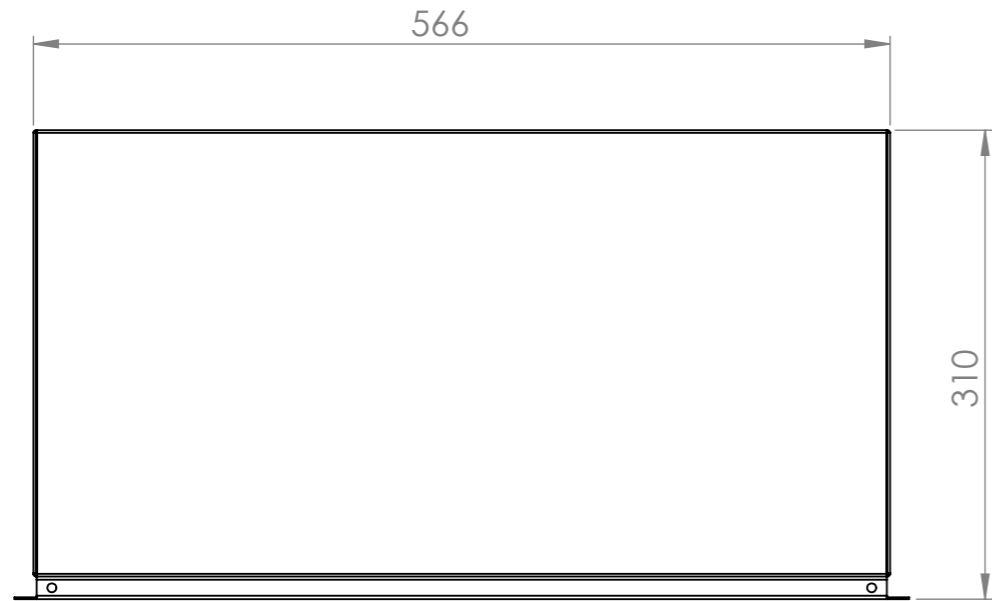
Drawn by DH

Checked by --



DO NOT SCALE

Scale@A3 1:5



Rev	Date	Description

ALL DIMENSIONS IN (mm)  
UNLESS OTHERWISE SPECIFIED  
BREAK ALL SHARP EDGES

TOLERANCES  
(BEFORE PAINTING  
& AFTER PLATING)  
X ± 1.00  
X.X ± 0.50  
X.XX ± 0.10  
ANGLES ± 0.5°

**A02-DIMENSIONS**

CLIENT: RFA  
PROJ. NO.: TBA  
PART NO.: --  
Revision --  
Page 2

**600mm(W) x 110mm(H) x 270mm(D)**

SKIRT DRAWER BOX

PRODUCT CODE: **RFA1114**

Date: 31/05/2023

Drawn by DH

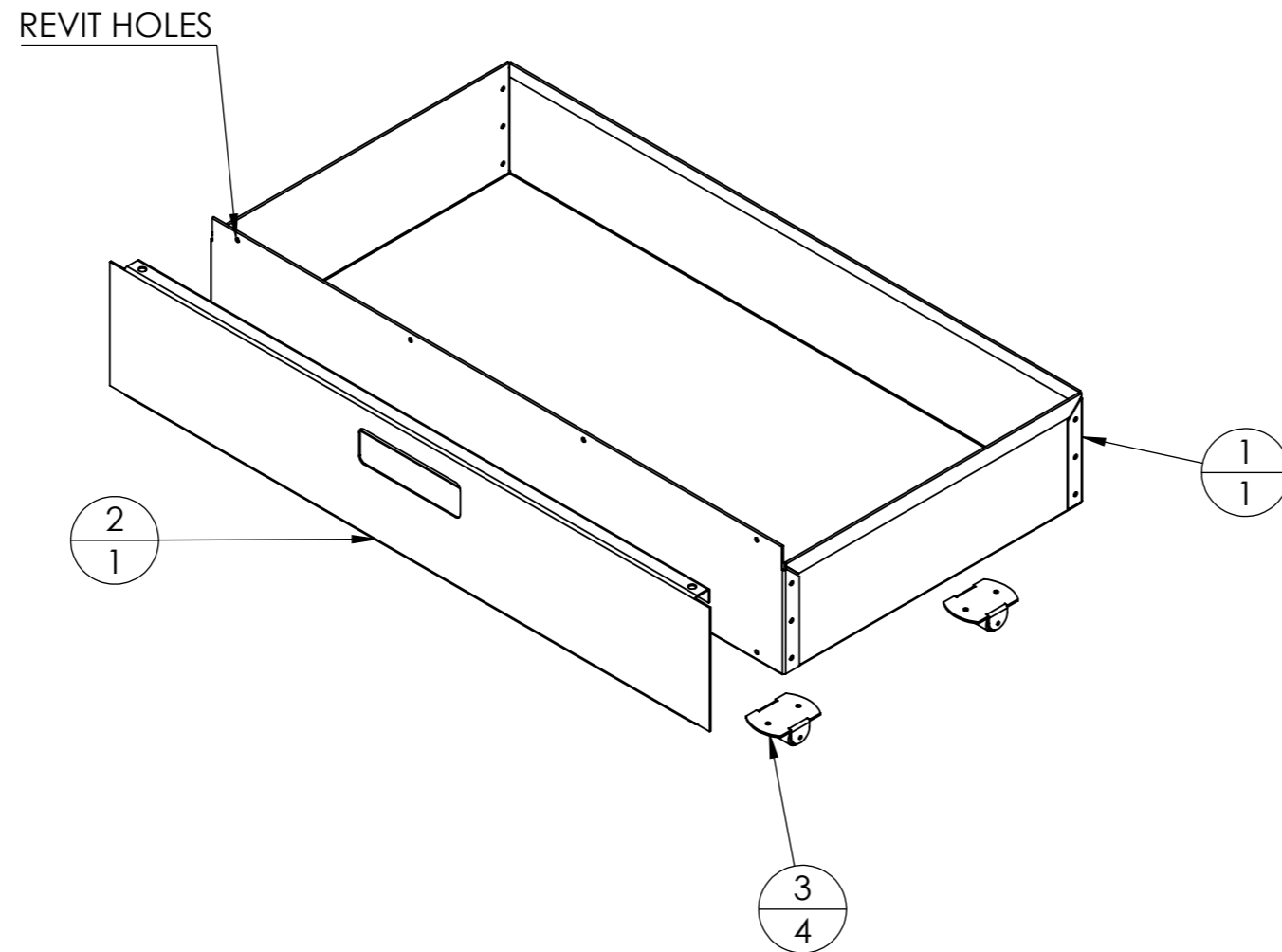
Checked by --



DO NOT SCALE

Scale@A3 1:5

ITEM NO.	PartNo	DESCRIPTION	QTY.
1		600mm(W) x 270mm(D) DRAWER BODY	1
2		600mm(W) x110mm(H) BOTTOM SKIRT	1
3		16mm FIXED PLATE CASTOR	4



ROLLER CASTOR 16mm - SAMPLE

Rev	Date	Description

ALL DIMENSIONS IN (mm)  
UNLESS OTHERWISE SPECIFIED  
BREAK ALL SHARP EDGES

TOLERANCES  
(BEFORE PAINTING  
& AFTER PLATING)  
X ± 1.00  
X.X ± 0.50  
X.XX ± 0.10  
ANGLES ± 0.5°

**A03-EXPLODED**

CLIENT: RFA  
PROJ. NO.: TBA  
PART NO.: --  
Revision --  
Page 3

**600mm(W) x 110mm(H) x 270mm(D)**  
**SKIRT DRAWER BOX**

PRODUCT CODE: **RFA1114**

Date: 31/05/2023

Drawn by DH

Checked by --



DO NOT SCALE

Scale@A3 1:5