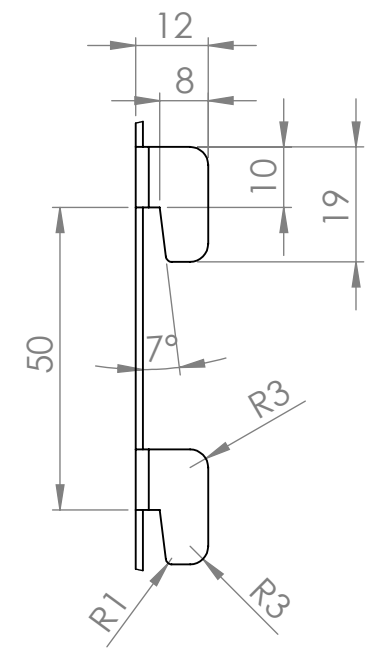
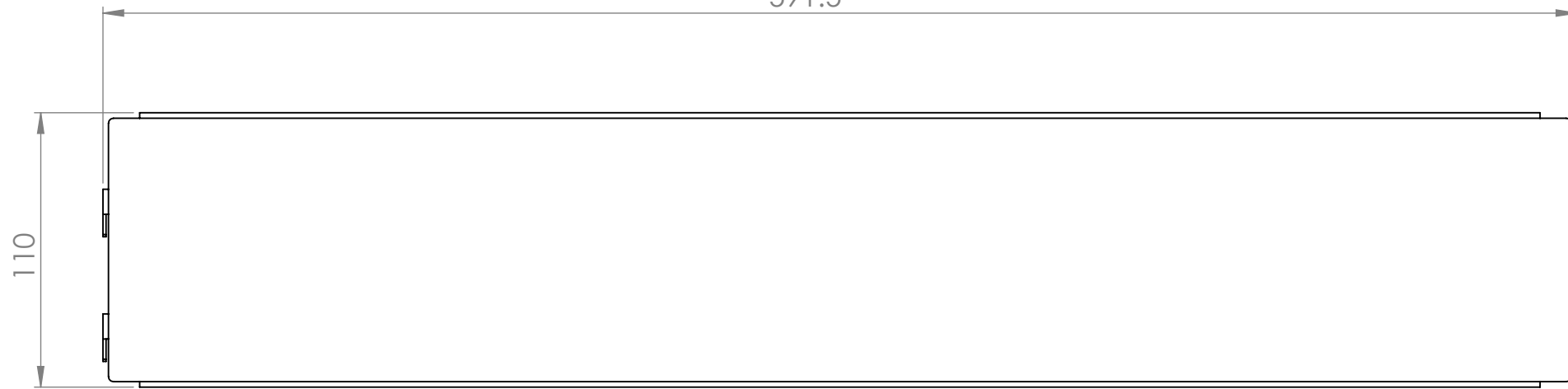
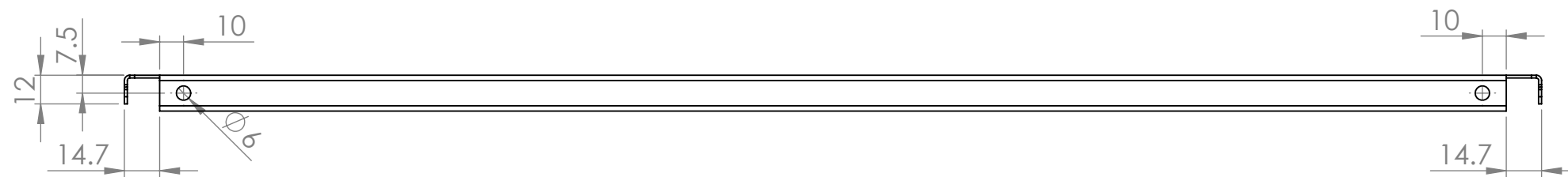
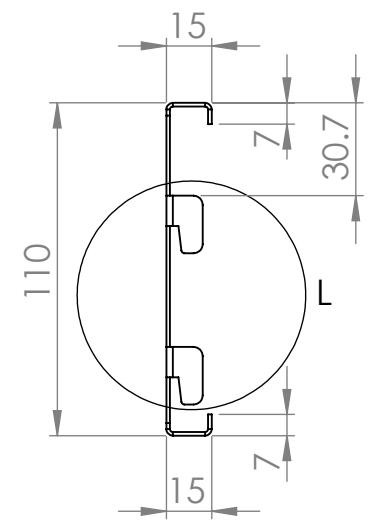


591.5



DETAIL L  
SCALE 2 : 2.5



**AP ASSOCIATED PROJECTS** COMMERCIAL BUILDERS,  
PROJECT MANAGERS,  
PLANNERS & DESIGNERS

T 03 8787 3000 F 03 8787 3025  
48-58 Cyber Loop, Dandenong South VIC 3175

No.	Date	Description

**A23-Mechanical**

<b>Bottom Skirt</b>	
Project number	TBC
Date:	21/01/2022
Drawn by	PS
Checked by	--

