

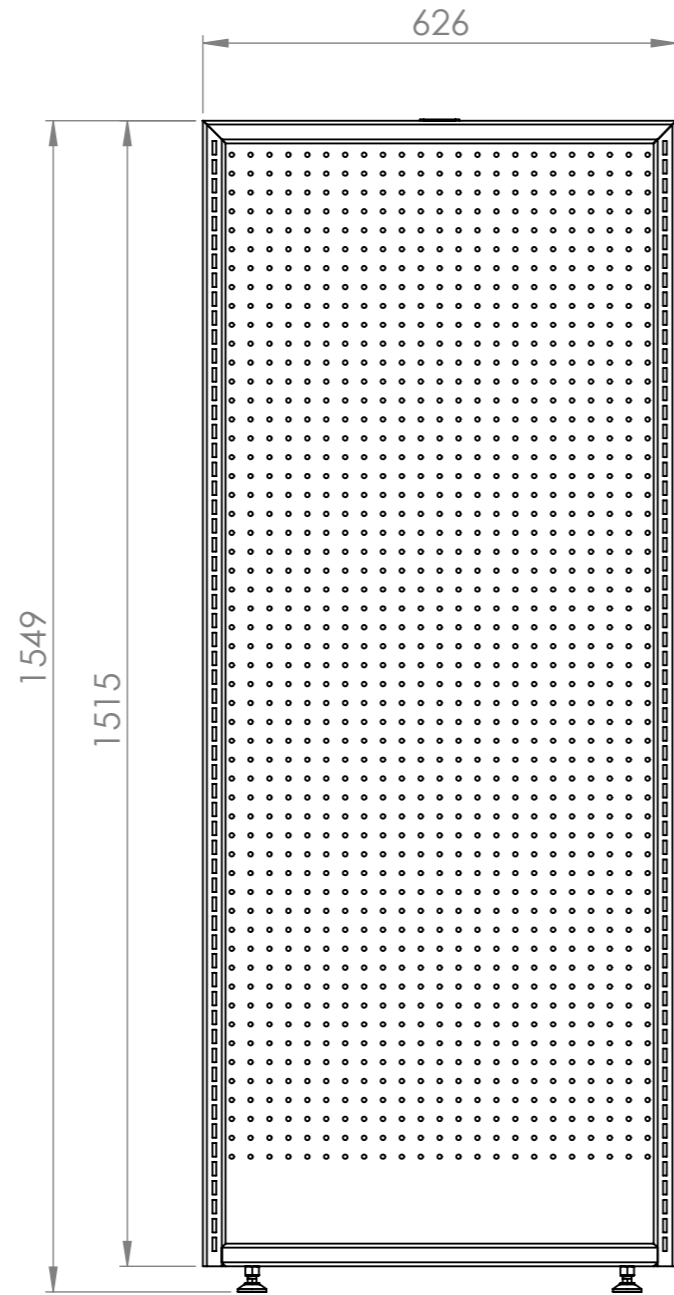
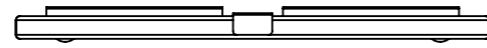
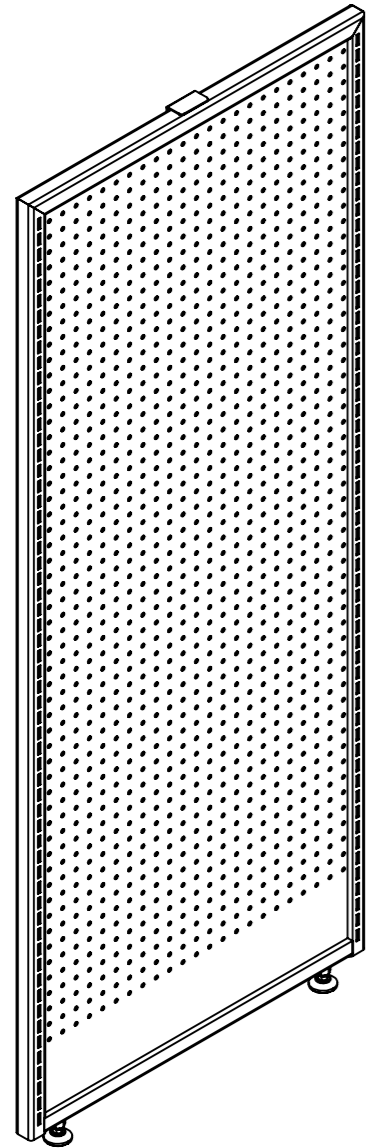
Rev	Date	Description

ALL DIMENSIONS IN (mm)  
UNLESS OTHERWISE SPECIFIED  
BREAK ALL SHARP EDGES

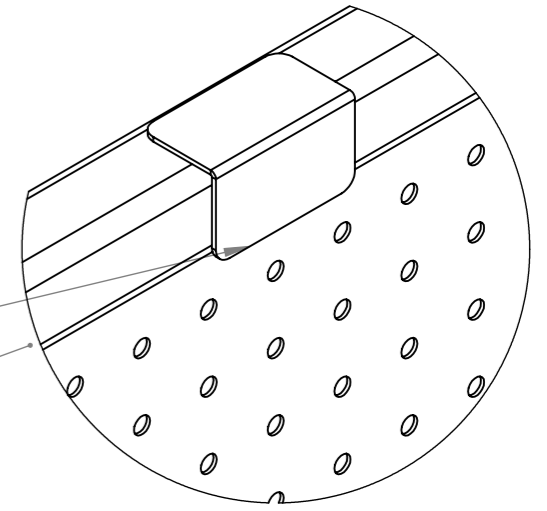
TOLERANCES  
(BEFORE PAINTING  
& AFTER PLATING)  
X ± 1.00  
X.X ± 0.50  
X.XX ± 0.10  
ANGLES ± 0.5°

**A02- RENDER**  
**CLIENT: RFA**  
**PROJ. NO.: TBA**  
**PART NO.: --**  
**Revision --**  
**Page 2**

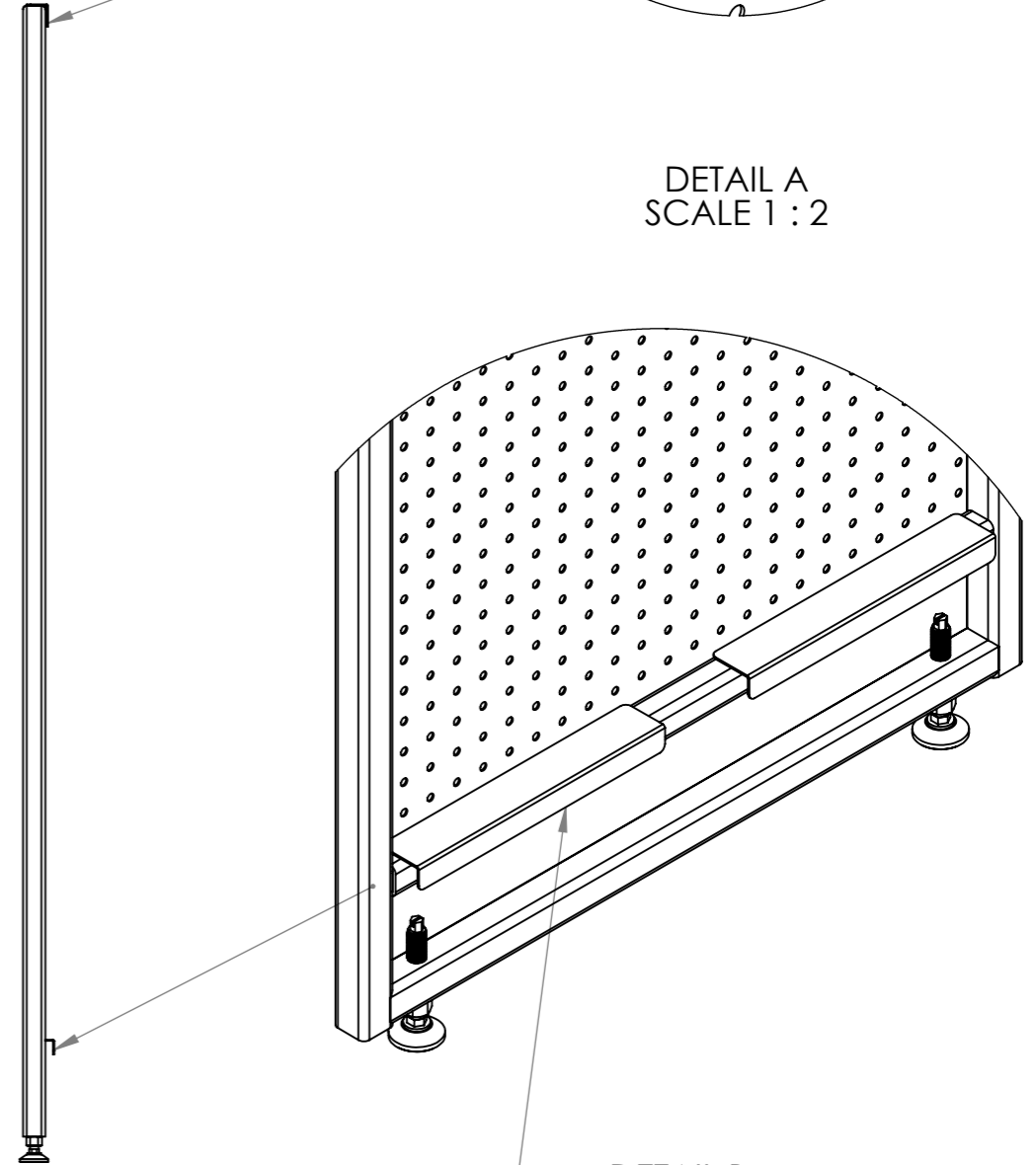
<b>630mm (W) x 1515mm (H) GONDOLA END PANEL PERFORATED (MATTE BLACK)</b>		
<b>PRODUCT CODE: RFA1089</b>		
Date:	2/11/2022	DO NOT SCALE
Drawn by	PS	
Checked by	--	
		Scale@A3 1:10



LOCKS INSIDE OF THE TOP OF THE GONDOLA POST



DETAIL A  
SCALE 1 : 2



LOCKS INTO THE U-CHANNEL OF THE GONDOLA POST

DETAIL B  
SCALE 1 : 5

Rev	Date	Description

ALL DIMENSIONS IN (mm)  
UNLESS OTHERWISE SPECIFIED  
BREAK ALL SHARP EDGES

TOLERANCES  
(BEFORE PAINTING  
& AFTER PLATING)  
X ± 1.00  
X.X ± 0.50  
X.XX ± 0.10  
ANGLES ± 0.5°

**A03- DIMENSIONS**

CLIENT: RFA  
PROJ. NO.: TBA  
PART NO.: --  
Revision --  
Page 3

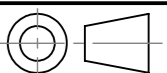
630mm (W) x 1515mm (H) GONDOLA END PANEL  
GONDOLA END PANEL - PERFORATED

PRODUCT CODE: **RFA1052/1089**

Date: 2/11/2022

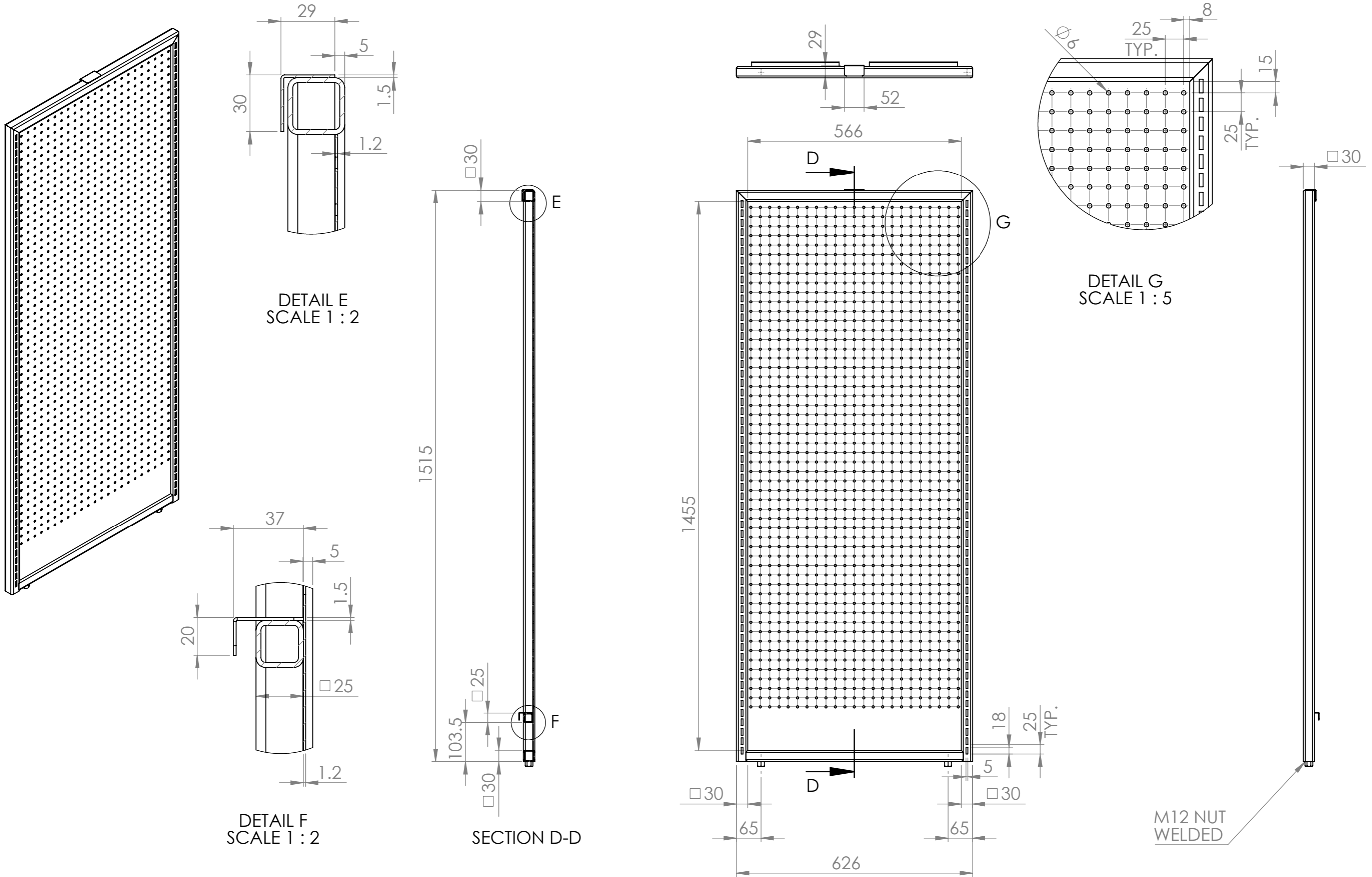
Drawn by PS

Checked by --



DO NOT SCALE

Scale@A3 1:10



DETAIL E  
SCALE 1 : 2

DETAIL G  
SCALE 1 : 5

DETAIL F  
SCALE 1 : 2

SECTION D-D

**AP ASSOCIATED PROJECTS** COMMERCIAL BUILDERS, PROJECT MANAGERS, PLANNERS & DESIGNERS

T 03 8787 3000 F 03 8787 3025  
48-58 Cyber Loop, Dandenong South VIC 3175

Rev	Date	Description

ALL DIMENSIONS IN (mm)  
UNLESS OTHERWISE SPECIFIED  
BREAK ALL SHARP EDGES

TOLERANCES  
(BEFORE PAINTING  
& AFTER PLATING)  
X ± 1.00  
X.X ± 0.50  
X.XX ± 0.10  
ANGLES ± 0.5°

**A04- MECHANICAL**  
CLIENT: RFA  
PROJ. NO.: TBA  
PART NO.: --  
Revision --  
Page 4

630mm (W) x 1515mm (H) GONDOLA END PANEL PERFORATED		
PRODUCT CODE: <b>RFA1052/1089</b>		
Date:	2/11/2022	DO NOT SCALE
Drawn by	PS	
Checked by	--	
Scale@A3		1:10