

This product is an Add Bay  
 \* Supplied with (1) post only  
 \* Connects to the post of the neighboring Bay

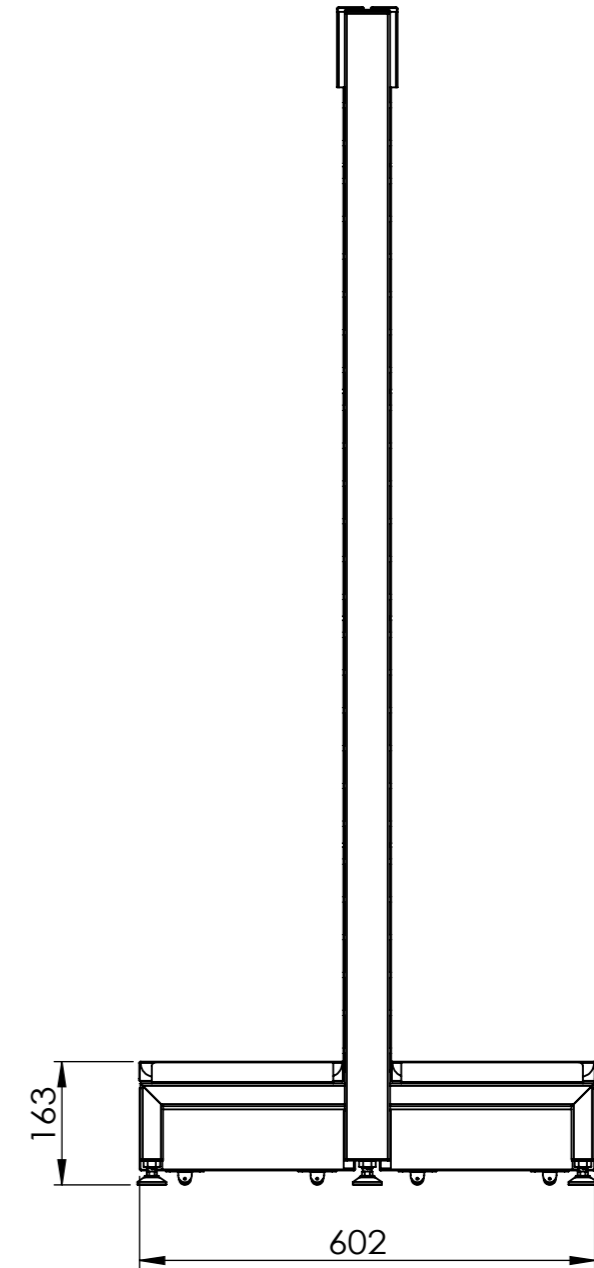
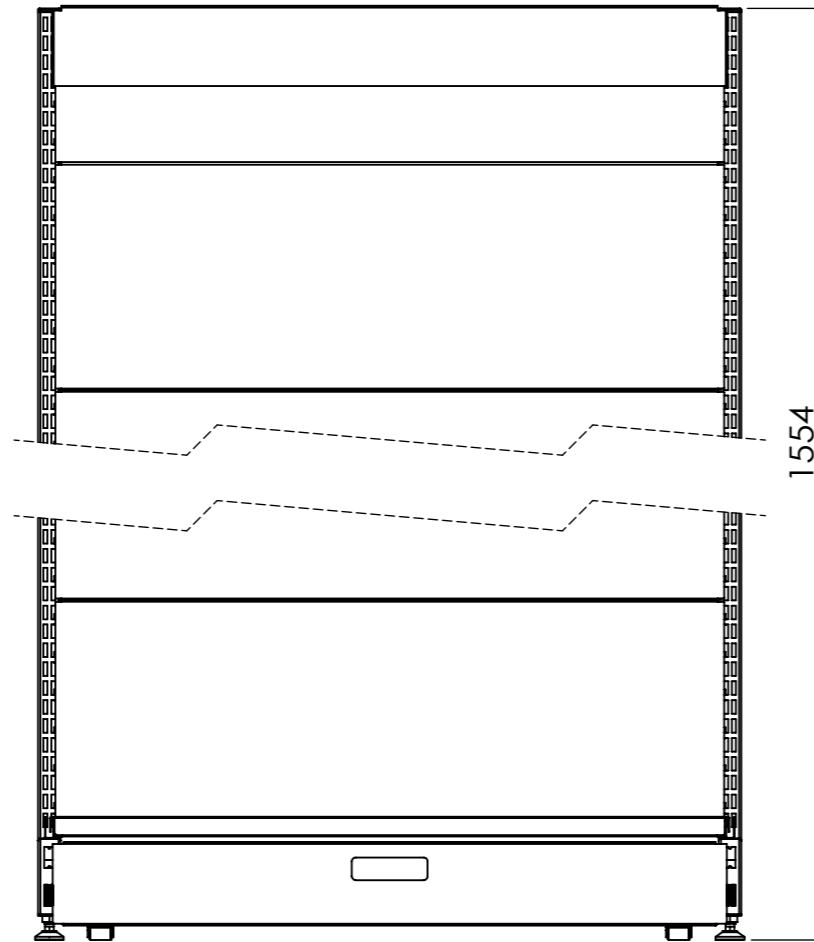
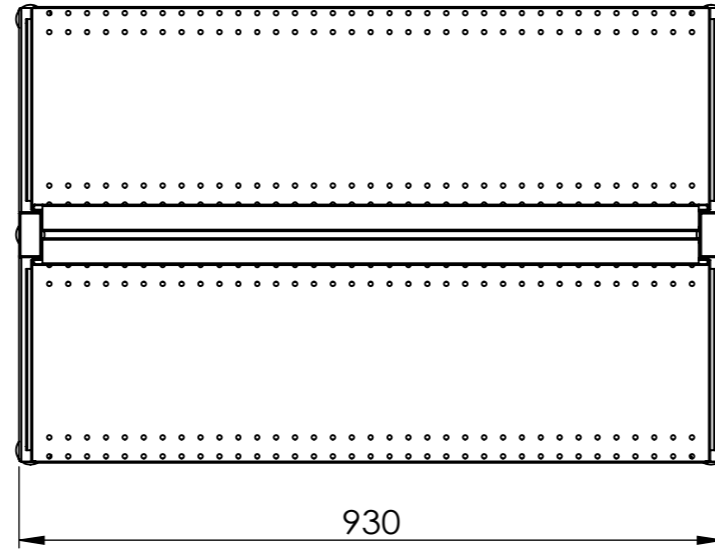
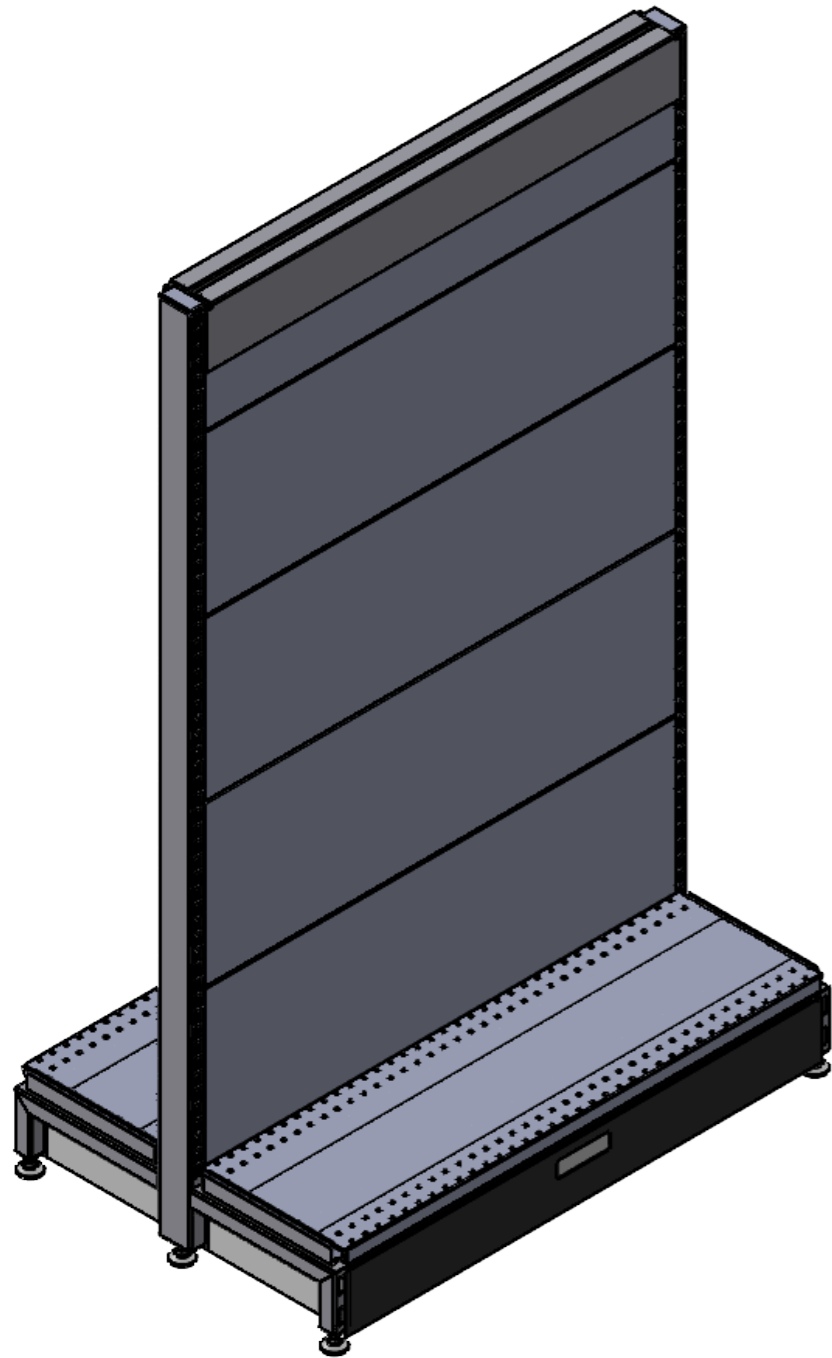
Rev	Date	Description

ALL DIMENSIONS IN (mm)  
 UNLESS OTHERWISE SPECIFIED  
 BREAK ALL SHARP EDGES

TOLERANCES  
 (BEFORE PAINTING  
 & AFTER PLATING)  
 X ± 1.00  
 X.X ± 0.50  
 X.XX ± 0.10  
 ANGLES ± 0.5°

**A01- RENDER**  
**CLIENT: RFA1000**  
**PROJ. NO.: TBA**  
**PART NO.: --**  
**Revision --**  
**Page 1**

900 MM (W) X 1515 MM (H) DOUBLE SIDED GONDOLA BAY - NON PERFORATED - ADD BAY		
<b>PRODUCT CODE: RFA1088</b>		
Date:	20/06/2023	DO NOT SCALE
Drawn by	DH	
Checked by	--	
		Scale@A3 1:20

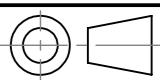


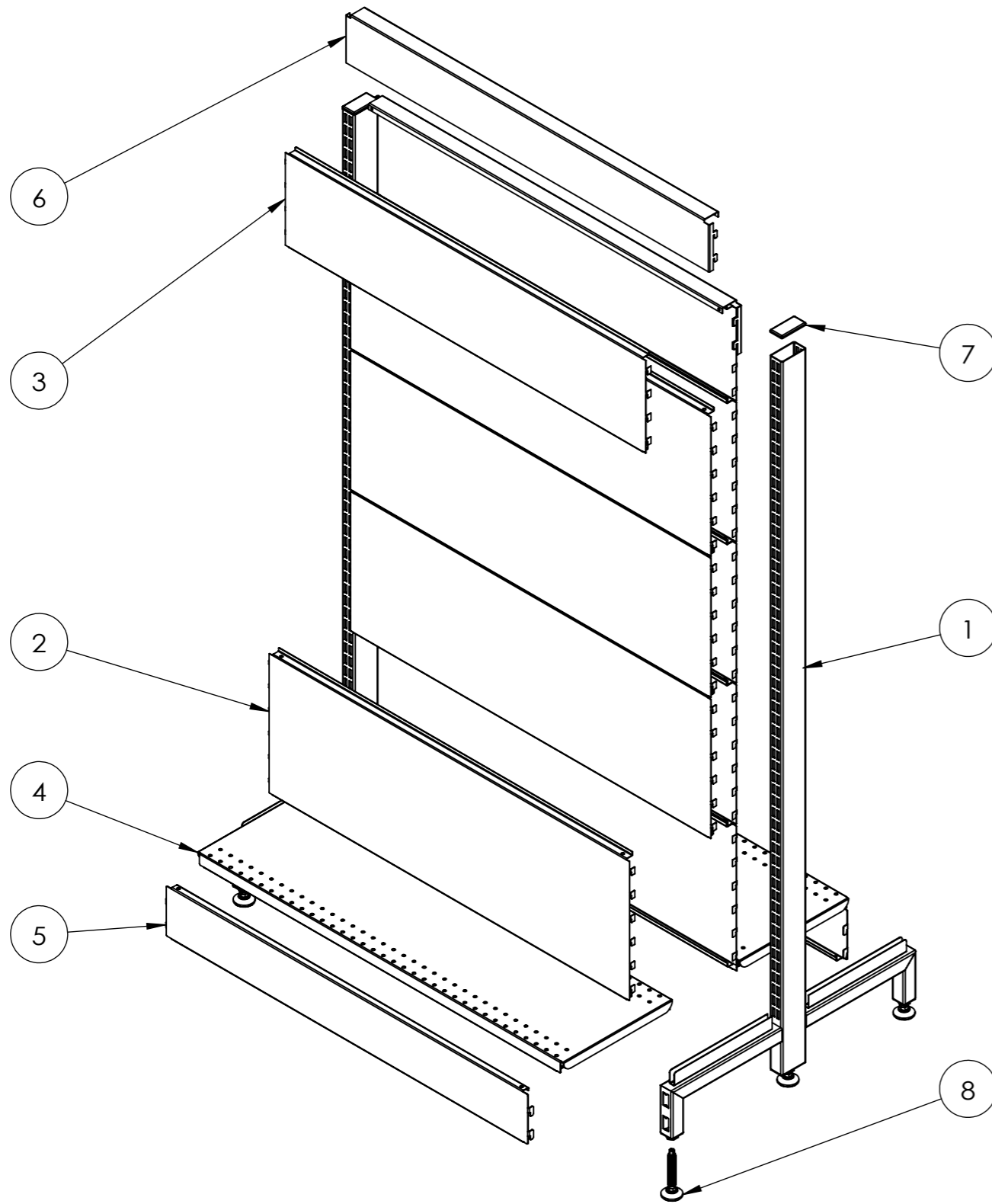
Rev	Date	Description

ALL DIMENSIONS IN (mm)  
UNLESS OTHERWISE SPECIFIED  
BREAK ALL SHARP EDGES

TOLERANCES  
(BEFORE PAINTING  
& AFTER PLATING)  
X ± 1.00  
X.X ± 0.50  
X.XX ± 0.10  
ANGLES ± 0.5°

**A02- MECHANICAL**  
CLIENT: RFA1000  
PROJ. NO.: TBA  
PART NO.: --  
Revision --  
Page 2

900 MM (W) X 1515 MM (H) DOUBLE SIDED GONDOLA BAY - NON PERFORATED - ADD BAY		 DO NOT SCALE
PRODUCT CODE: <b>RFA1088</b>	Date: 20/06/2023	
Drawn by: DH	Checked by: --	Scale@A3 1:15



ITEM NO.	DESCRIPTION	QTY.
1	POST - DOUBLE SIDED GONDOLA - 1515 MM (H) - W/. 270 MM LEGS - MATTE BLACK	2
2	CLIP IN PANEL - 900(W) X 300(H) - NON PERFORATED - MATTE BLACK	8
3	CLIP IN PANEL - 900 MM (W) X 200 MM (H) - NON PERFORATED - MATTE BLACK	2
4	SHELF STEEL - 900 MM (W) X 270 MM (D) - BLACK	2
5	900 BOTTOM SKIRT	2
6	SNAP IN TOP CAP_BLACK	2
7	PLASTIC ENDCAP	2
8	M12 LEVELING FEET	6

Rev	Date	Description

ALL DIMENSIONS IN (mm)  
UNLESS OTHERWISE SPECIFIED  
BREAK ALL SHARP EDGES

TOLERANCES  
(BEFORE PAINTING  
& AFTER PLATING)  
X ± 1.00  
X.X ± 0.50  
X.XX ± 0.10  
ANGLES ± 0.5°

**A09- EXPLODED**  
CLIENT: RFA1000  
PROJ. NO.: TBA  
PART NO.: --  
Revision --  
Page 9

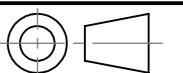
900 MM (W) X 1515 MM (H) DOUBLE SIDED GONDOLA BAY - NON PERFORATED - ADD BAY

PRODUCT CODE: **RFA1088**

Date: 20/06/2023

Drawn by DH

Checked by --



DO NOT SCALE

Scale@A3 1:20