

This product is an Add Bay  
 \* Supplied with (1) post only  
 \* Connects to the post of the neighboring Bay

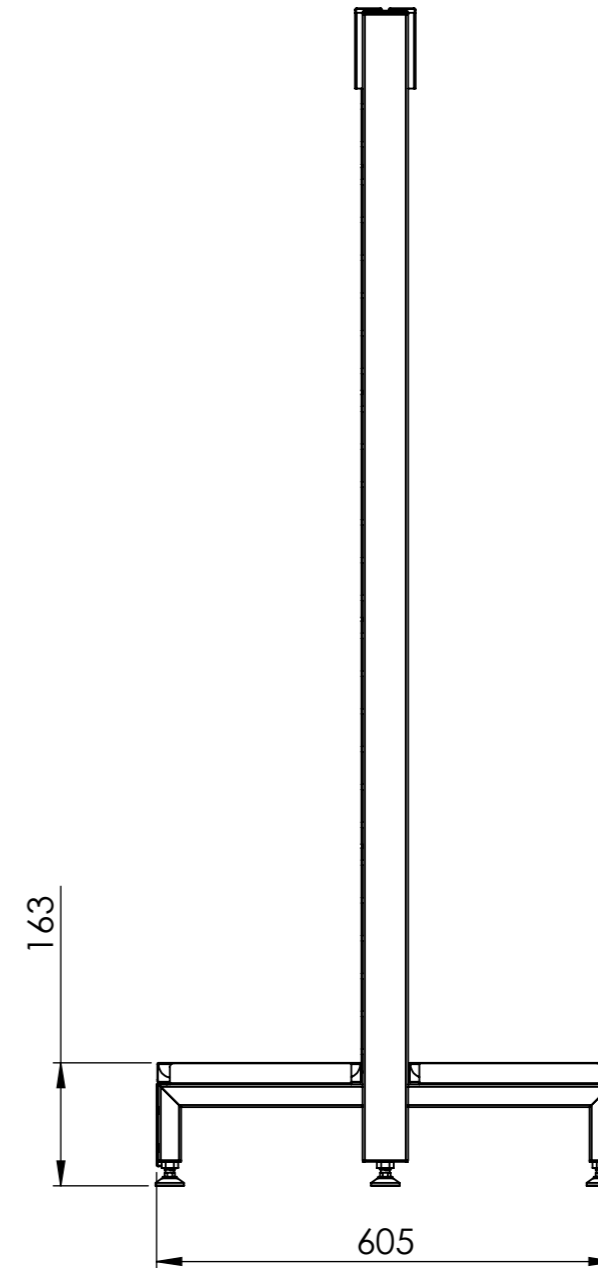
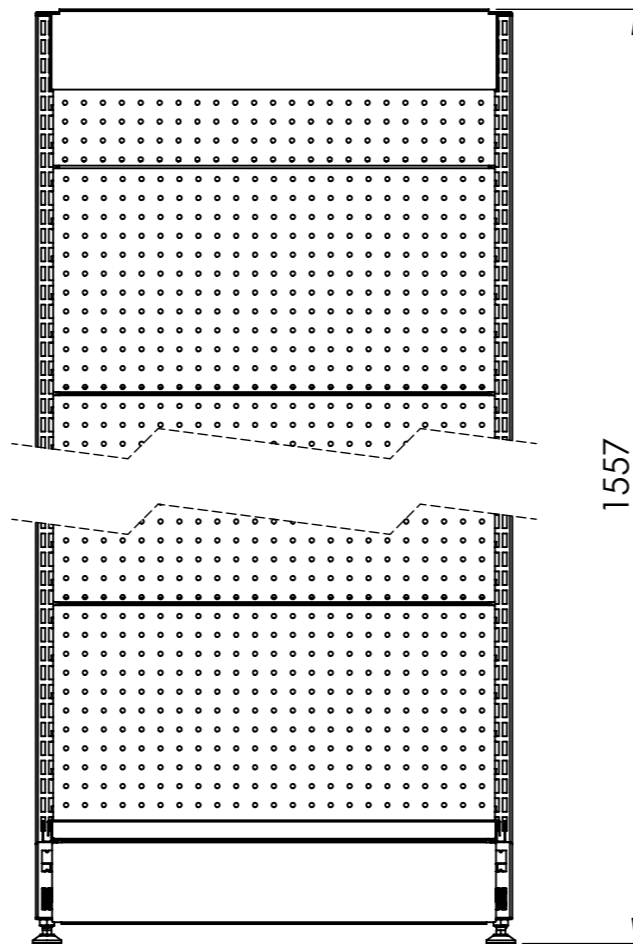
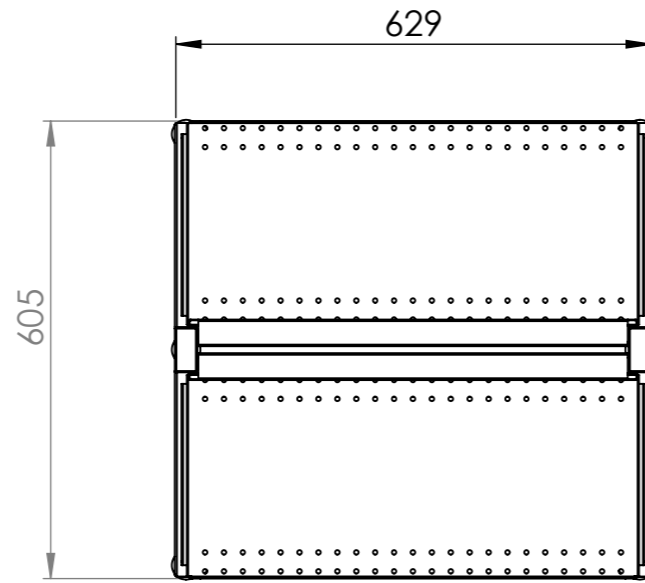
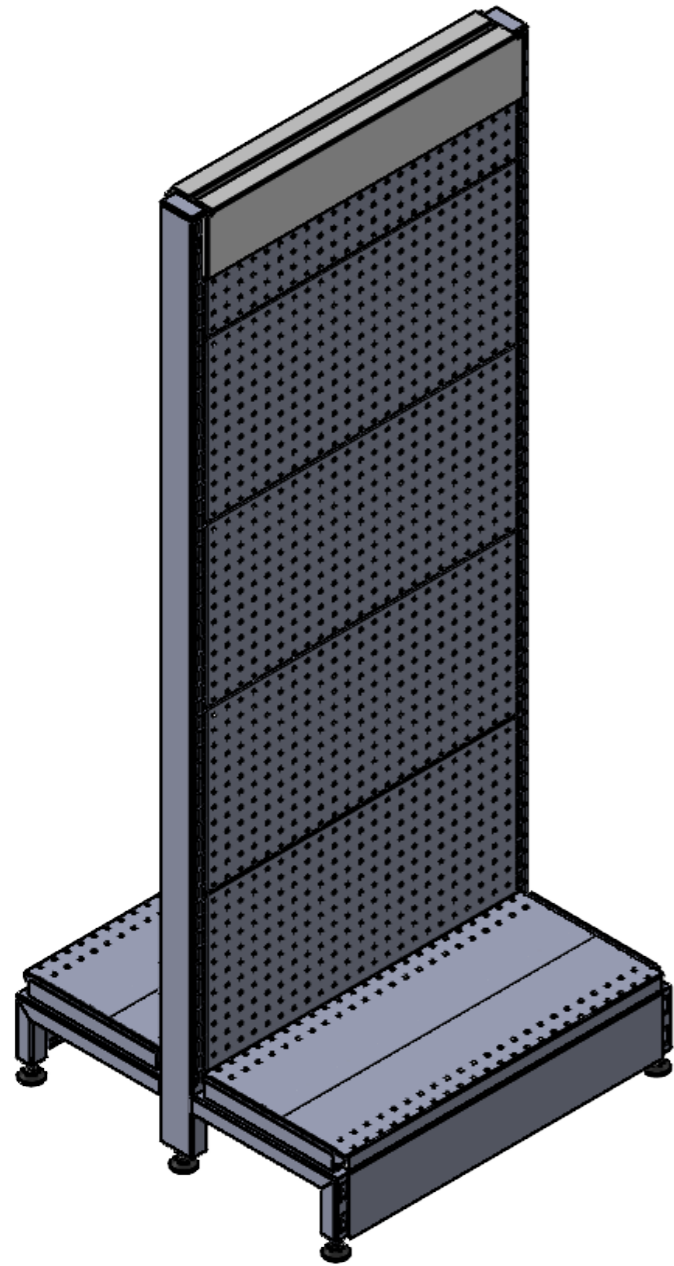
Rev	Date	Description

ALL DIMENSIONS IN (mm)  
 UNLESS OTHERWISE SPECIFIED  
 BREAK ALL SHARP EDGES

TOLERANCES  
 (BEFORE PAINTING  
 & AFTER PLATING)  
 X ± 1.00  
 X.X ± 0.50  
 X.XX ± 0.10  
 ANGLES ± 0.5°

A01- RENDER  
 CLIENT: RFA1000  
 PROJ. NO.: TBA  
 PART NO.: --  
 Revision --  
 Page 1

<b>RFA1074 600(W) X 1515 (H) DOUBLE SIDED GONDOLA BAY-PERFORATED - ADD BAY</b>		
PRODUCT CODE: <b>RFA1074</b>	Date: 26/10/2022	
Drawn by: DH	Checked by: --	DO NOT SCALE
Scale@A3		1:20



Rev	Date	Description

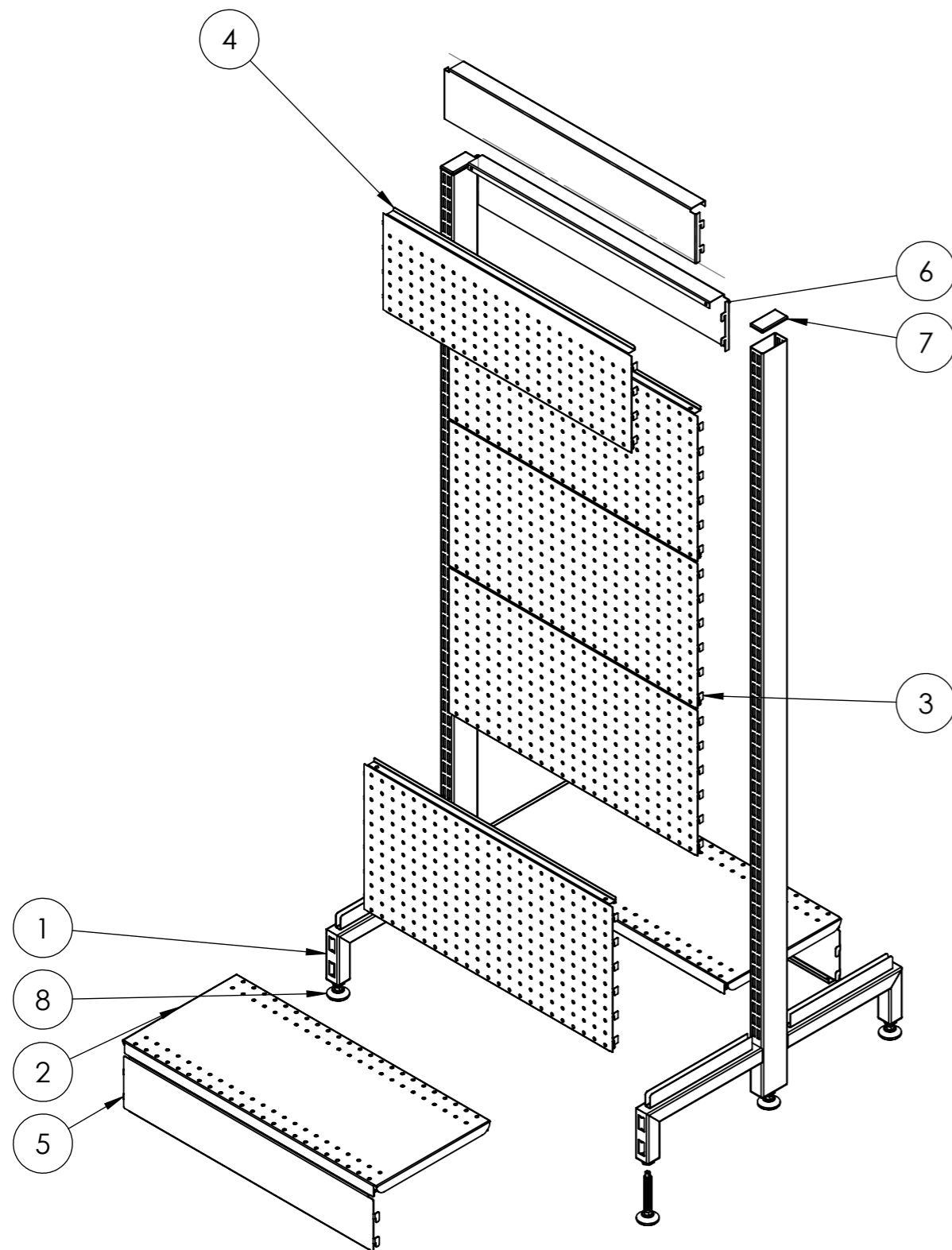
ALL DIMENSIONS IN (mm)  
UNLESS OTHERWISE SPECIFIED  
BREAK ALL SHARP EDGES

TOLERANCES  
(BEFORE PAINTING  
& AFTER PLATING)  
X ± 1.00  
X.X ± 0.50  
X.XX ± 0.10  
ANGLES ± 0.5°

A02- RENDER  
CLIENT: RFA1000  
PROJ. NO.: TBA  
PART NO.: --  
Revision --  
Page 2

RFA1074 600(W) X 1515 (H) DOUBLE  
SIDED GONDOLA BAY-PERFORATED -  
ADD BAY

PRODUCT CODE: RFA1074	
Date: 26/10/2022	
Drawn by: DH	DO NOT SCALE
Checked by: --	Scale@A3 1:15



ITEM NO.	DESCRIPTION	QTY.
1	DOUBLE SIDED POST	2
2	600X270 SHELF	2
3	600W x 300H PERF PANEL	4
4	600W X 200H PERF. PANEL	1
5	BOTTOM SKIRT	2
6	SNAP IN TOP CAP	2
7	PLASTIC ENDCAP	2
8	ADJ. FEET	6

Rev	Date	Description

ALL DIMENSIONS IN (mm)  
UNLESS OTHERWISE SPECIFIED  
BREAK ALL SHARP EDGES

TOLERANCES  
(BEFORE PAINTING  
& AFTER PLATING)  
X ± 1.00  
X.X ± 0.50  
X.XX ± 0.10  
ANGLES ± 0.5°

A09- EXPLODED  
CLIENT: RFA1000  
PROJ. NO.: TBA  
PART NO.: --  
Revision --  
Page 9

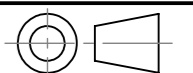
RFA1074 600(W) X 1515 (H) DOUBLE  
SIDED GONDOLA BAY-PERFORATED -  
ADD BAY

PRODUCT CODE: **RFA1074**

Date: 26/10/2022

Drawn by DH

Checked by --



DO NOT SCALE

Scale@A3 1:20