

Rev	Date	Description

ALL DIMENSIONS IN (mm)
UNLESS OTHERWISE SPECIFIED
BREAK ALL SHARP EDGES

TOLERANCES
(BEFORE PAINTING
& AFTER PLATING)
X ± 1.00
X.X ± 0.50
X.XX ± 0.10
ANGLES ± 0.5°

A01- RENDER

CLIENT: RFA

PROJ. NO.: TBA

PART NO.: --

Revision --

Page 1

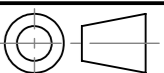
630mm (W) x 1515mm (H) GONDOLA END PANEL
GONDOLA END PANEL - NON PERFORATED
(PEARL WHITE)

PRODUCT CODE: **RFA1053**

Date: 2/11/2022

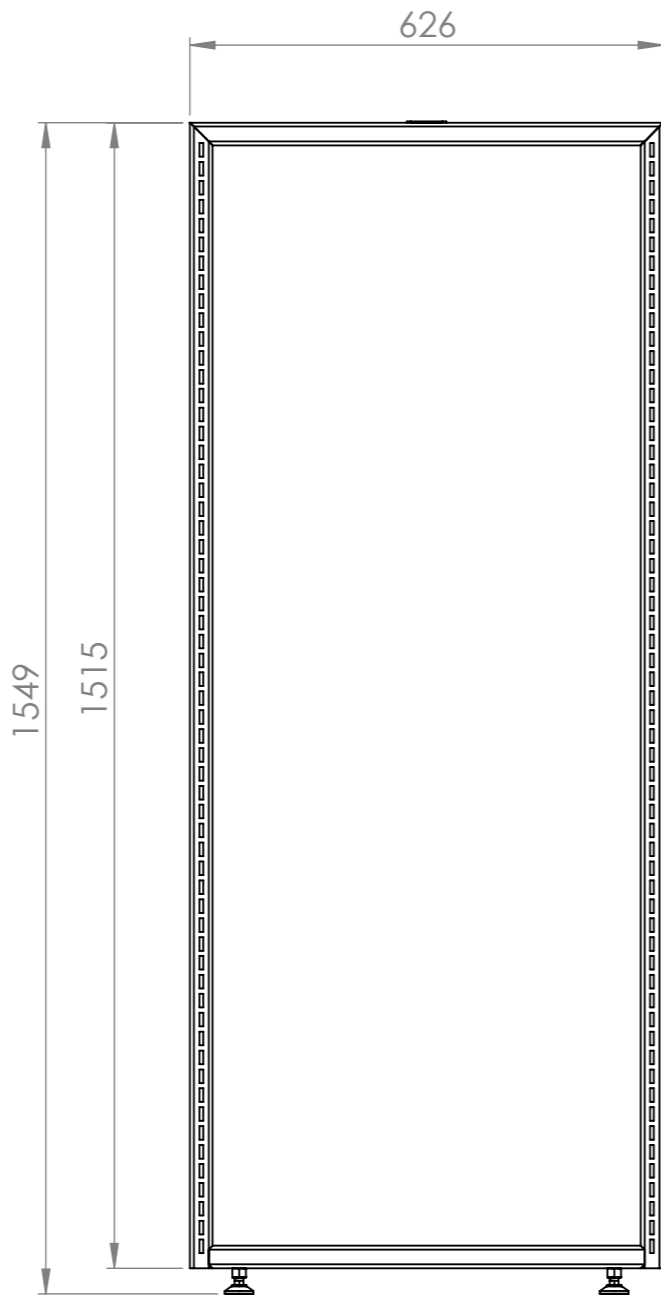
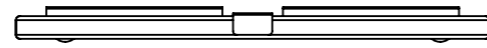
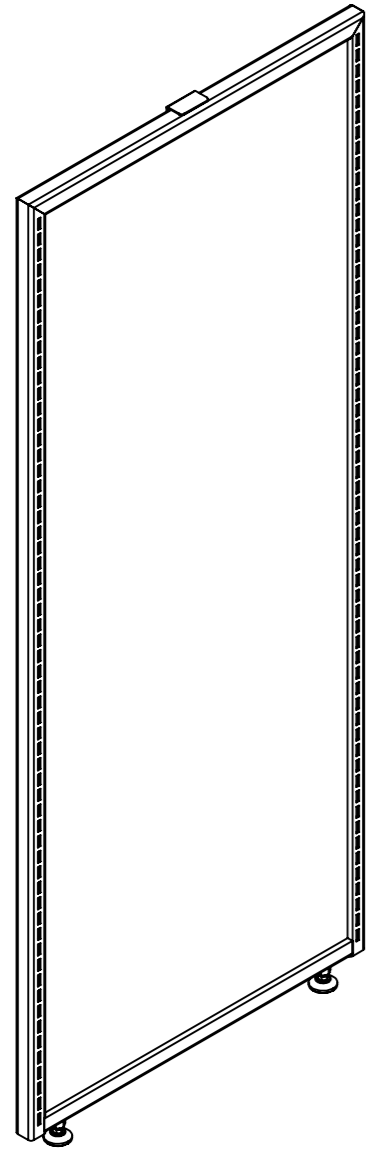
Drawn by PS

Checked by --

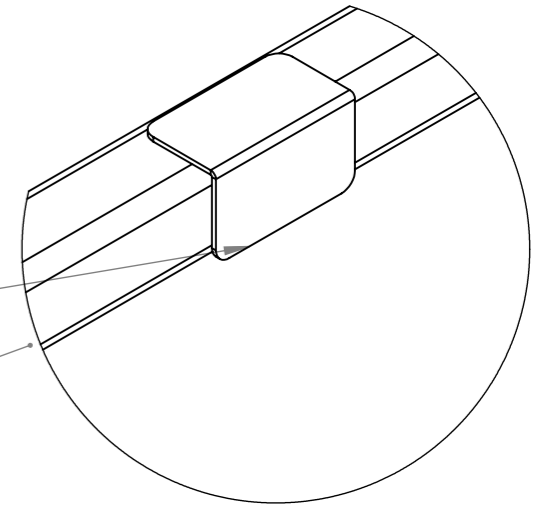


DO NOT SCALE

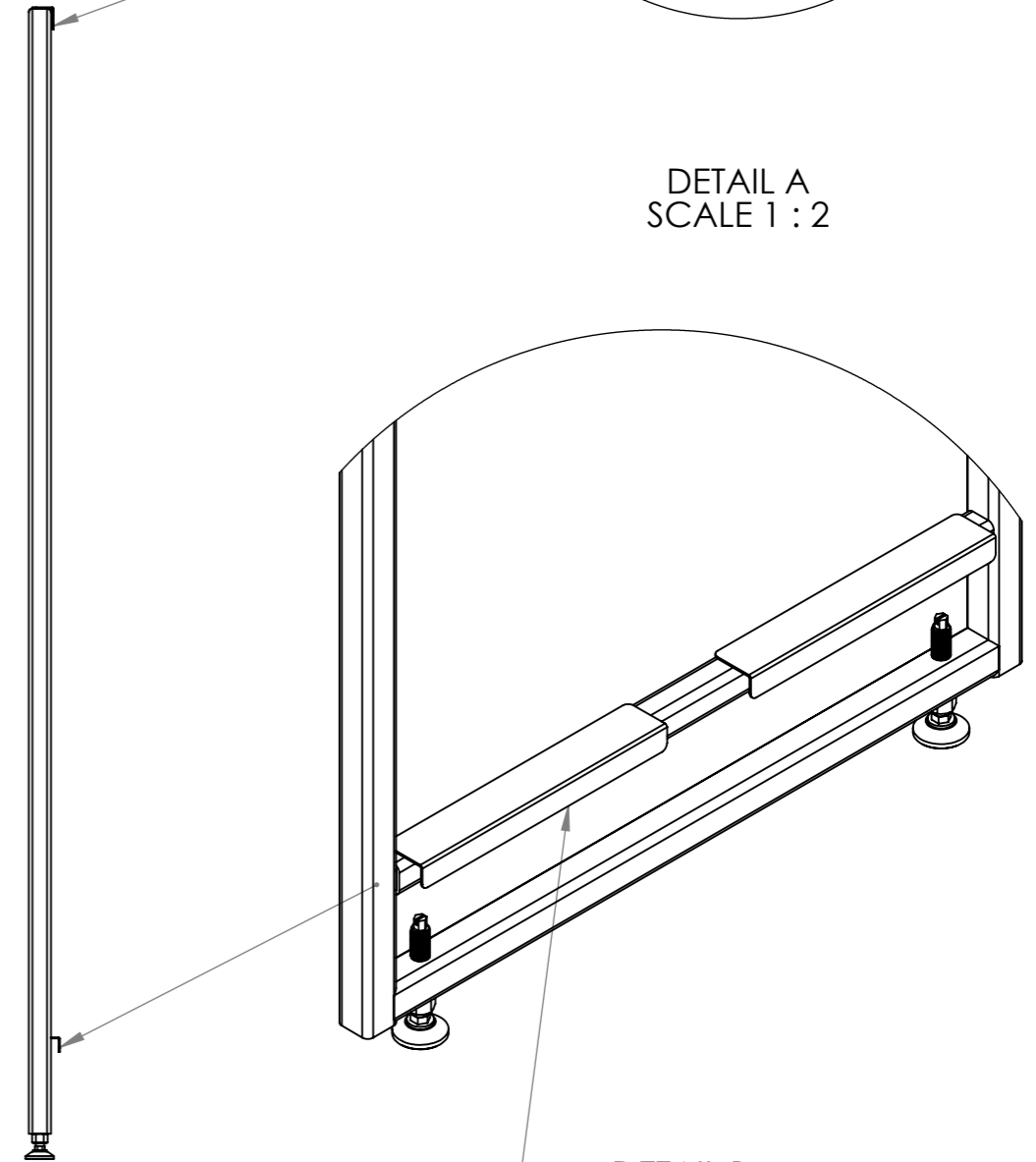
Scale@A3 1:10



LOCKS INSIDE OF THE TOP OF THE GONDOLA POST



DETAIL A
SCALE 1 : 2



LOCKS INTO THE U-CHANNEL OF THE GONDOLA POST

DETAIL B
SCALE 1 : 5

Rev	Date	Description

ALL DIMENSIONS IN (mm)
UNLESS OTHERWISE SPECIFIED
BREAK ALL SHARP EDGES

TOLERANCES
(BEFORE PAINTING
& AFTER PLATING)
X ± 1.00
X.X ± 0.50
X.XX ± 0.10
ANGLES ± 0.5°

A03- DIMENSIONS

CLIENT: RFA
PROJ. NO.: TBA
PART NO.: --
Revision --
Page 3

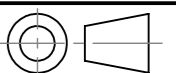
630mm (W) x 1515mm (H) GONDOLA END PANEL
GONDOLA END PANEL - NON PERFORATED

PRODUCT CODE: **RFA1053/1090**

Date: 2/11/2022

Drawn by PS

Checked by --



DO NOT SCALE

Scale@A3 1:10