



This product is an Add Bay  
 \* Supplied with (1) post only  
 \* Connects to the post of the neighboring bay

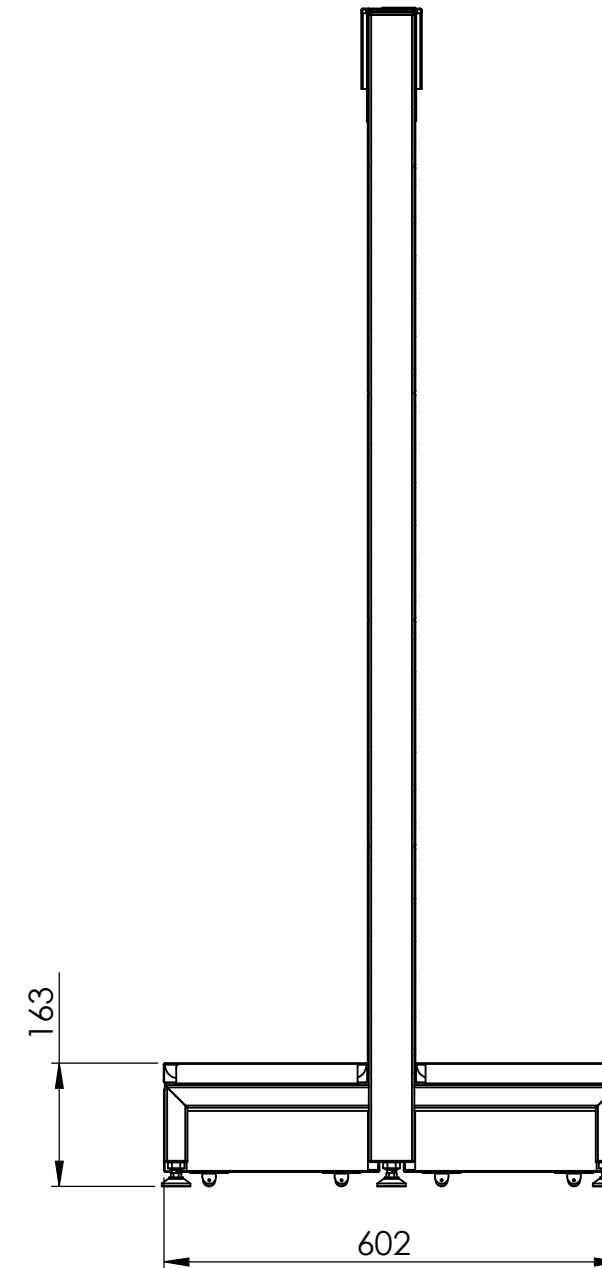
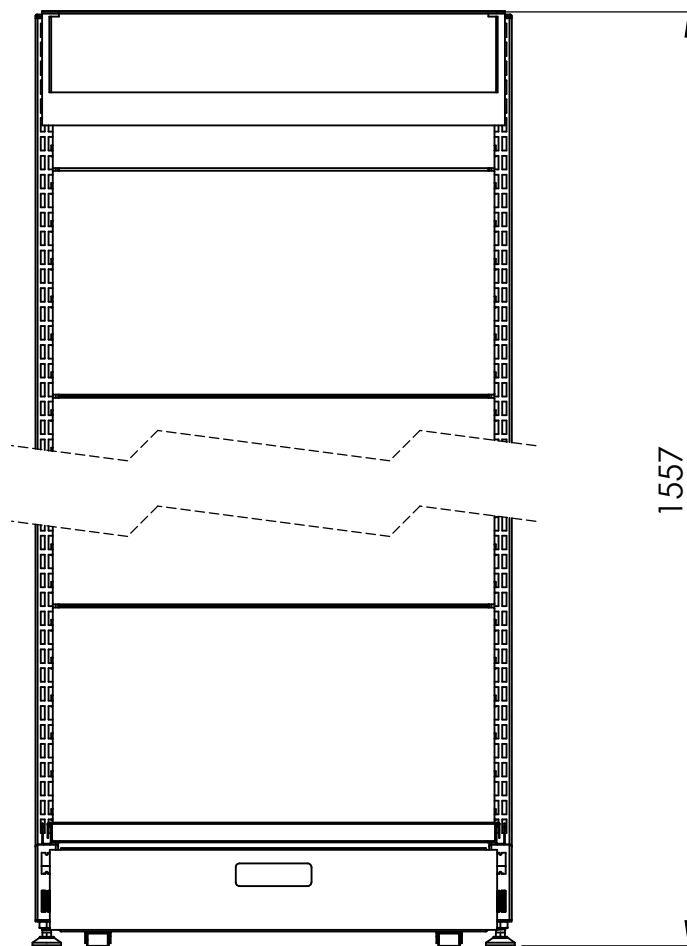
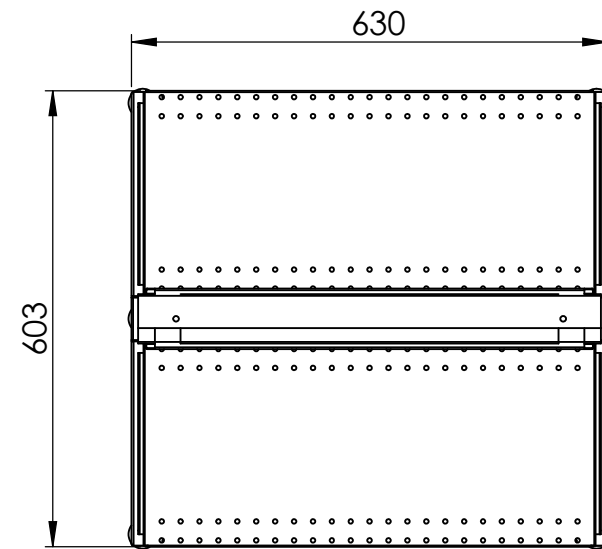
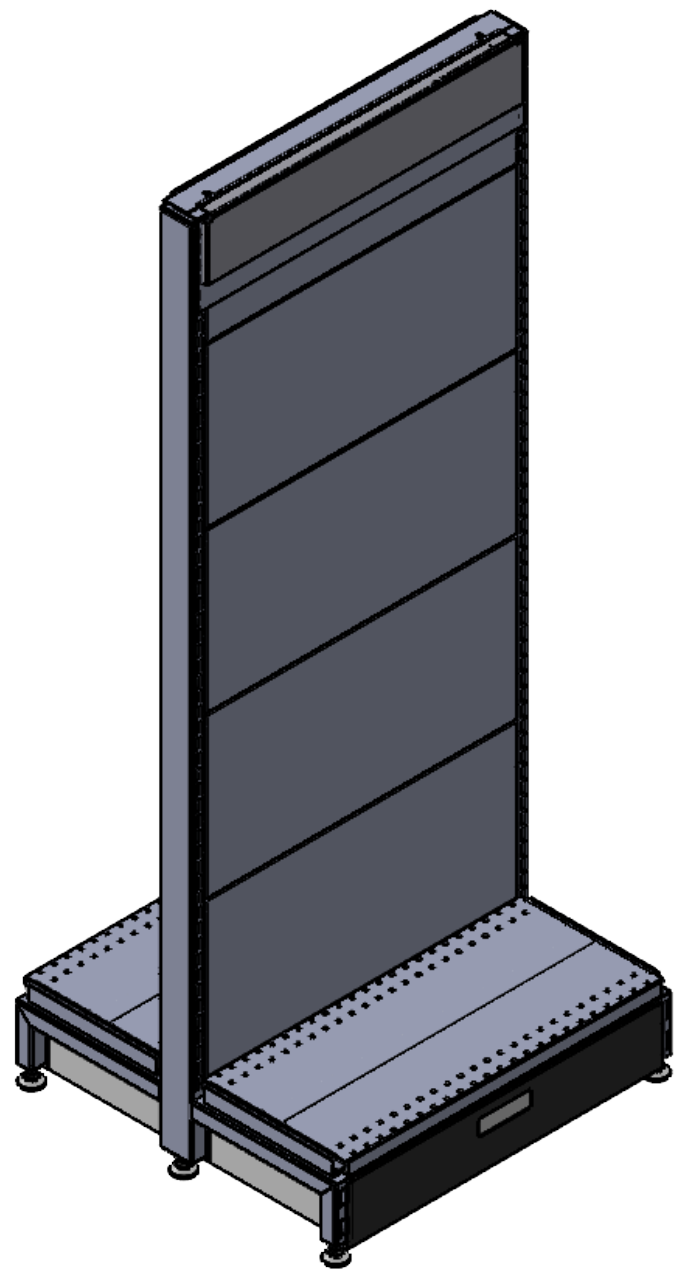
Rev	Date	Description

ALL DIMENSIONS IN (mm)  
 UNLESS OTHERWISE SPECIFIED  
 BREAK ALL SHARP EDGES

TOLERANCES  
 (BEFORE PAINTING  
 & AFTER PLATING)  
 X ± 1.00  
 X.X ± 0.50  
 X.XX ± 0.10  
 ANGLES ± 0.5°

A01- RENDER  
 CLIENT: RFA1000  
 PROJ. NO.: TBA  
 PART NO.: --  
 Revision --  
 Page 1

600mm(W)x1515mm(H)x270mm(D) DOUBLE SIDED GONDOLA BAY- NON PERFORATED ADD BAY WITH SKIRT DRAWER (PEARL WHITE)	
PRODUCT CODE: <b>RFA1027</b>	
Date: 6/06/2023	DO NOT SCALE
Drawn by DH	Scale@A3 1:20
Checked by --	



Rev	Date	Description

ALL DIMENSIONS IN (mm)  
UNLESS OTHERWISE SPECIFIED  
BREAK ALL SHARP EDGES

TOLERANCES  
(BEFORE PAINTING  
& AFTER PLATING)  
X ± 1.00  
X.X ± 0.50  
X.XX ± 0.10  
ANGLES ± 0.5°

A02- CLIENT  
CLIENT: RFA1000  
PROJ. NO.: TBA  
PART NO.: --  
Revision --  
Page 2

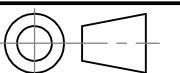
600mm(W)x1515mm(H)x270mm(D) DOUBLE  
SIDED GONDOLA BAY- PERFORATED ADD  
BAY (PEARL WHITE)

PRODUCT CODE: **RFA1027**

Date: 6/06/2023

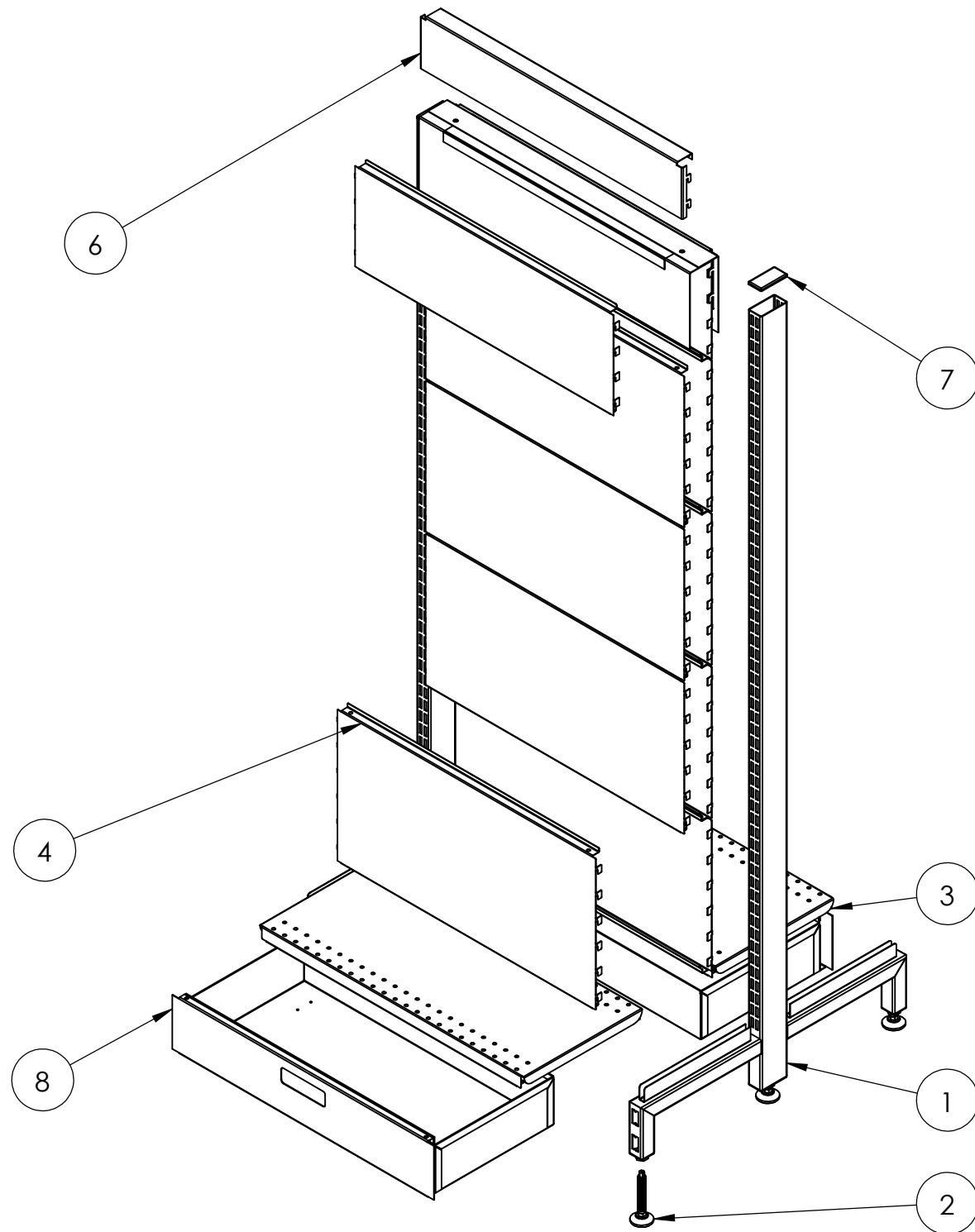
Drawn by DH

Checked by --



DO NOT SCALE

Scale@A3 1:15



ITEM NO.	DESCRIPTION	QTY.
1	DOUBLE SIDED POST	1
2	M12 LEVELING FEET	6
3	600X270 SHELF	2
4	600W x 300H PERF PANEL	8
5	600W X 200H PERF. PANEL	2
6	SNAP IN TOP CAP	2
7	PLASTIC ENDCAP	2
8	SKIRT DRAWER ASSY.	2
9		1
10		1

This Add Bay is only supplied with one post as it attaches to an existing post on a Start Bay.

Rev	Date	Description

ALL DIMENSIONS IN (mm)  
UNLESS OTHERWISE SPECIFIED  
BREAK ALL SHARP EDGES

TOLERANCES  
(BEFORE PAINTING  
& AFTER PLATING)  
X ± 1.00  
X.X ± 0.50  
X.XX ± 0.10  
ANGLES ± 0.5°

A09- EXPLODED  
CLIENT: RFA1000  
PROJ. NO.: TBA  
PART NO.: --  
Revision --  
Page 9

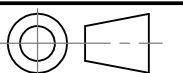
600mm(W)x1515mm(H)x270mm(D) DOUBLE SIDED  
GONDOLA BAY- PERFORATED ADD BAY (PEARL  
WHITE)

PRODUCT CODE: **RFA1027**

Date: 6/06/2023

Drawn by DH

Checked by --



DO NOT SCALE

Scale@A3 1:20