

AP ASSOCIATED PROJECTS COMMERCIAL BUILDERS,
PROJECT MANAGERS,
PLANNERS & DESIGNERS

T 03 8787 3000 F 03 8787 3025
48-58 Cyber Loop, Dandenong South VIC 3175

Rev	Date	Description

ALL DIMENSIONS IN (mm)
UNLESS OTHERWISE SPECIFIED
BREAK ALL SHARP EDGES

TOLERANCES
(BEFORE PAINTING
& AFTER PLATING)
X ± 1.00
X.X ± 0.50
X.XX ± 0.10
ANGLES ± 0.5°

A01- RENDER

CLIENT: RFA1000

PROJ. NO.: TBA

PART NO.: --

Revision --

Page 1

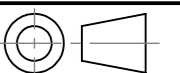
600mm(W)x1515mm(H)x270mm(D)
DOUBLE SIDED GONDOLA BAY-NON PERFORATED
START BAY (PEARL WHITE)

PRODUCT CODE: **RFA1024**

Date: 28/10/2022

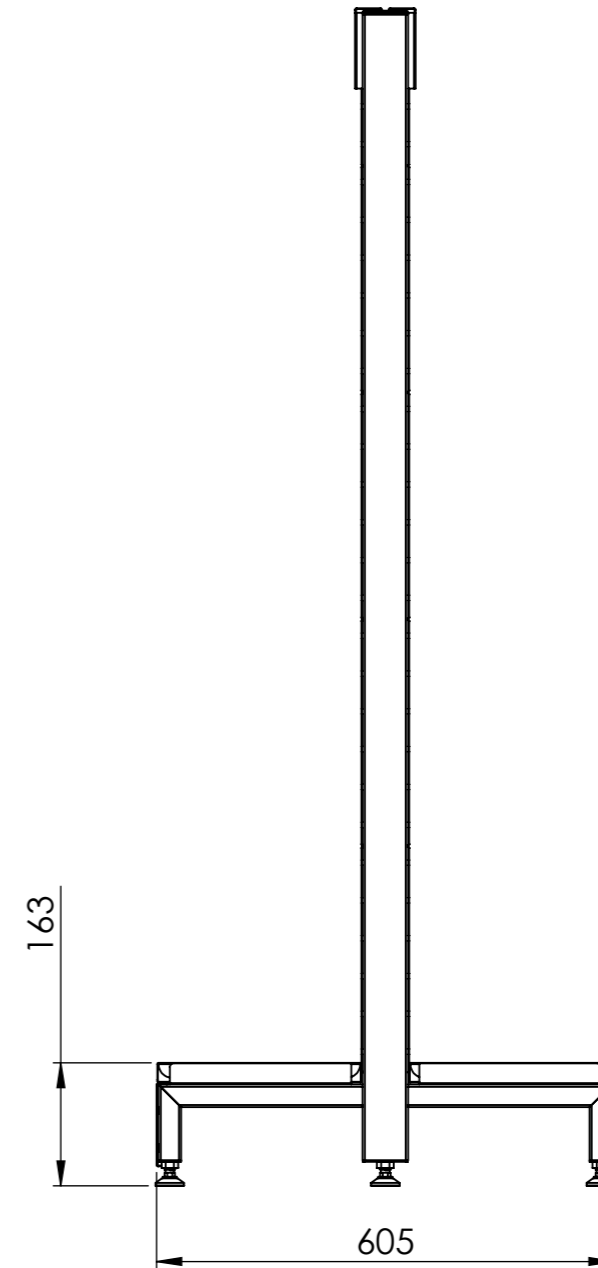
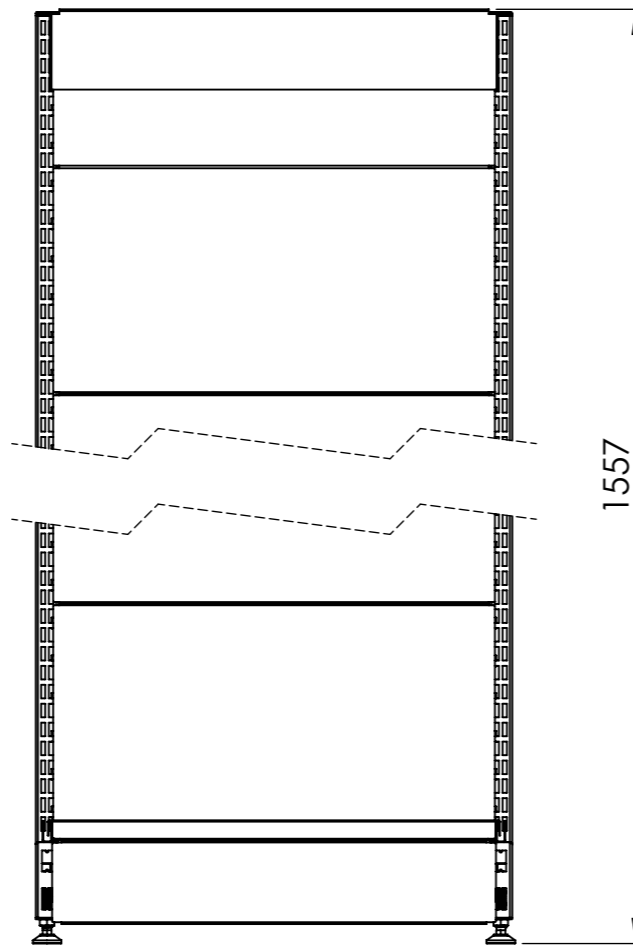
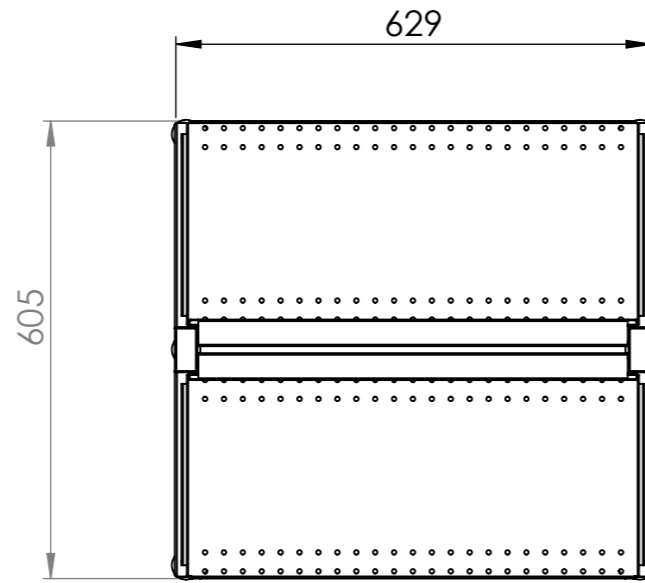
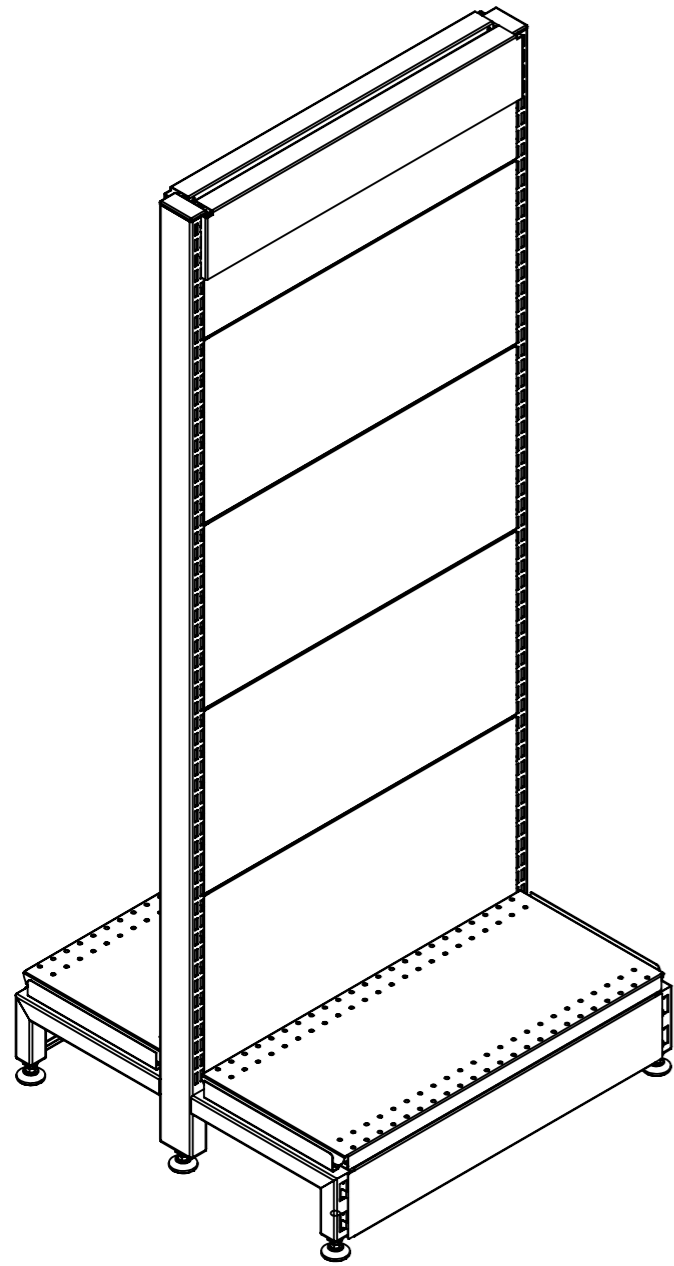
Drawn by DH

Checked by --



DO NOT SCALE

Scale@A3 1:20



Rev	Date	Description

ALL DIMENSIONS IN (mm)
UNLESS OTHERWISE SPECIFIED
BREAK ALL SHARP EDGES

TOLERANCES
(BEFORE PAINTING
& AFTER PLATING)
X ± 1.00
X.X ± 0.50
X.XX ± 0.10
ANGLES ± 0.5°

A02- CLIENT

CLIENT: RFA1000

PROJ. NO.: TBA

PART NO.: --

Revision --

Page 2

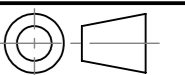
600mm(W)x1515mm(H)x270mm(D)
DOUBLE SIDED GONDOLA BAY-NON PERFORATED
START BAY (PEARL WHITE)

PRODUCT CODE: **RFA1024**

Date: 28/10/2022

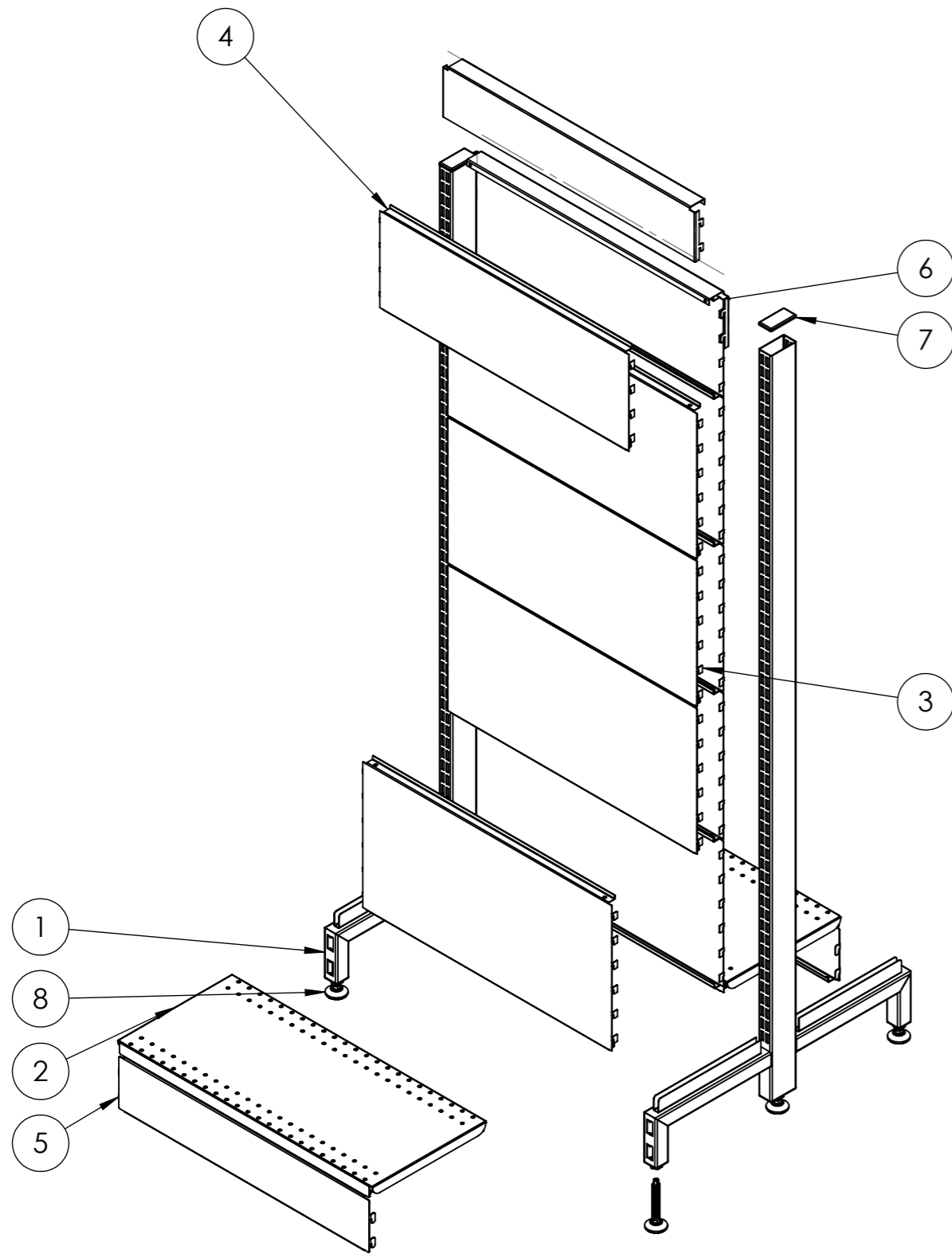
Drawn by DH

Checked by --



DO NOT SCALE

Scale@A3 1:15



ITEM NO.	DESCRIPTION	QTY.
1	DOUBLE SIDED POST	2
2	600X270 SHELF	2
3	600W x 300H PERF PANEL	4
4	600W X 200H PERF. PANEL	1
5	BOTTOM SKIRT	2
6	SNAP IN TOP CAP	2
7	PLASTIC ENDCAP	2
8	ADJ. FEET	6

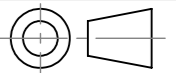
Rev	Date	Description

ALL DIMENSIONS IN (mm)
UNLESS OTHERWISE SPECIFIED
BREAK ALL SHARP EDGES

TOLERANCES
(BEFORE PAINTING
& AFTER PLATING)
X ± 1.00
X.X ± 0.50
X.XX ± 0.10
ANGLES ± 0.5°

A09- EXPLODED
CLIENT: RFA1000
PROJ. NO.: TBA
PART NO.: --
Revision --
Page 9

600mm(W)x1515mm(H)x270mm(D)
DOUBLE SIDED GONDOLA BAY-NON PERFORATED
START BAY (PEARL WHITE)

PRODUCT CODE: RFA1024		
Date:	28/10/2022	
Drawn by	DH	DO NOT SCALE
Checked by	--	Scale@A3 1:20