



FINISH: WITH LIGHT GRAIN

AP ASSOCIATED PROJECTS COMMERCIAL BUILDERS,
PROJECT MANAGERS,
PLANNERS & DESIGNERS

T 03 8787 3000 F 03 8787 3025
48-58 Cyber Loop, Dandenong South VIC 3175

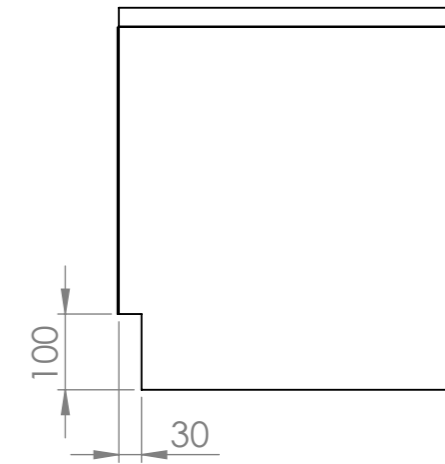
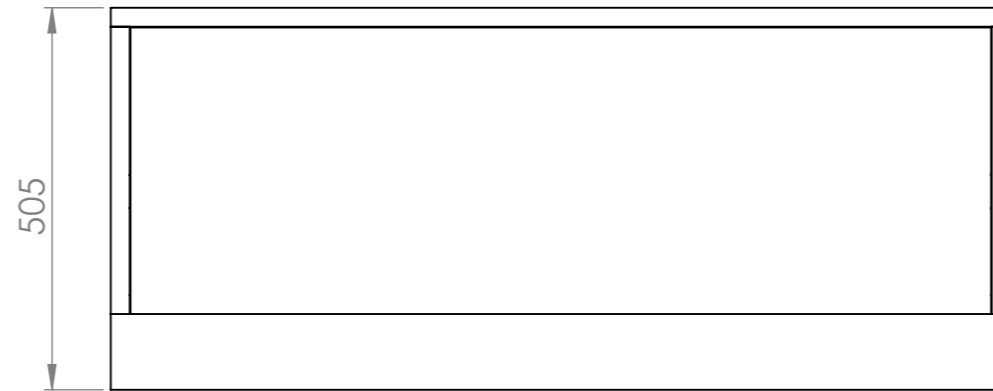
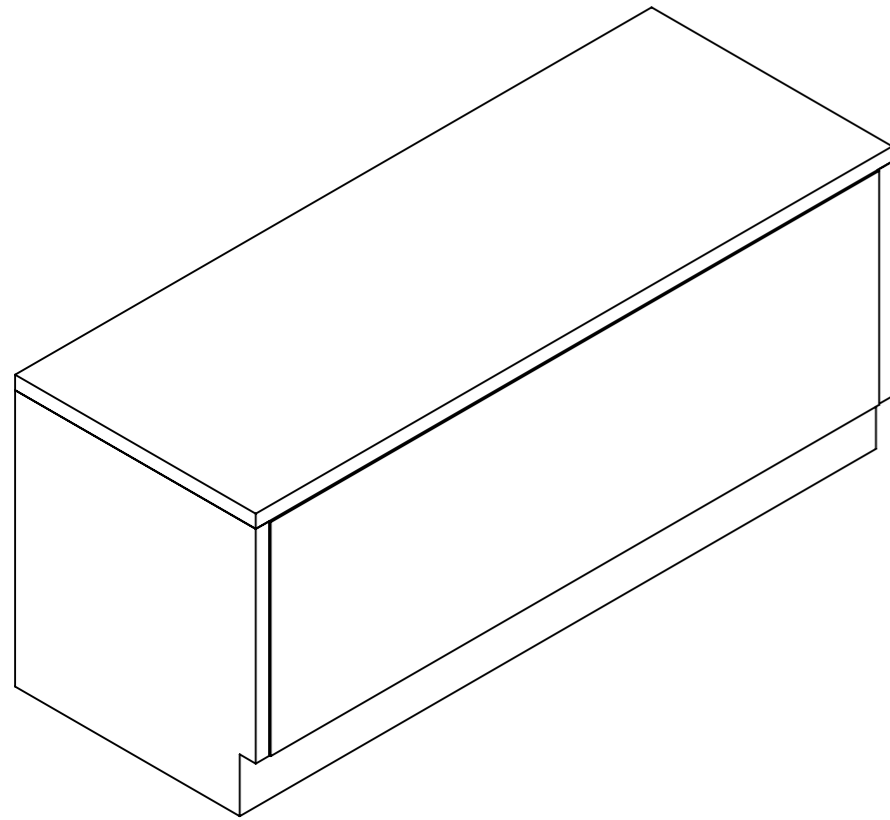
Rev	Date	Description

ALL DIMENSIONS IN (mm)
UNLESS OTHERWISE SPECIFIED
BREAK ALL SHARP EDGES

TOLERANCES
(BEFORE PAINTING
& AFTER PLATING)
X ± 1.00
X.X ± 0.50
X.XX ± 0.10
ANGLES ± 0.5°

A01- RENDER
CLIENT: RFA
PROJ. NO.: TBA
PART NO.: --
Revision --
Page 1

BASE BOX - TIMBER W/ DRAWER W1200 x H485 x D450		
PRODUCT CODE: RFA0461	Date: 25/01/2024	
Drawn by PS	Checked by --	DO NOT SCALE
Scale@A3 1:10		



Rev	Date	Description

ALL DIMENSIONS IN (mm)
UNLESS OTHERWISE SPECIFIED
BREAK ALL SHARP EDGES

TOLERANCES
(BEFORE PAINTING
& AFTER PLATING)
X ± 1.00
X.X ± 0.50
X.XX ± 0.10
ANGLES ± 0.5°

A02- DIMENSIONS

CLIENT: RFA
PROJ. NO.: TBA
PART NO.: --
Revision --
Page 2

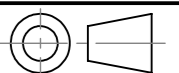
BASE BOX - TIMBER W/ DRAWER
W1200 x H485 x D450

PRODUCT CODE: **RFA0461**

Date: 25/01/2024

Drawn by PS

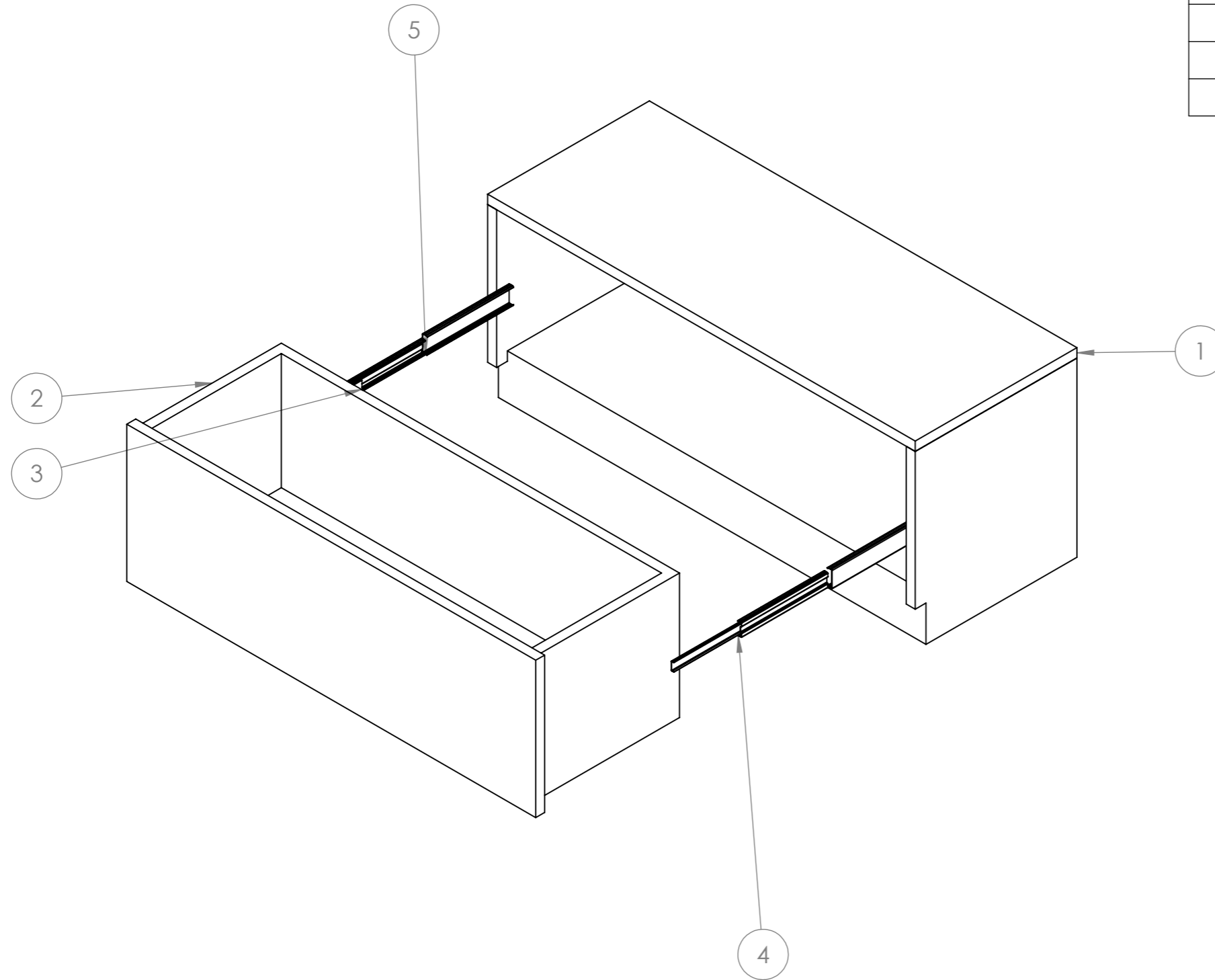
Checked by --



DO NOT SCALE

Scale@A3 1:10

ITEM NO.	PartNo	DESCRIPTION	QTY.
1		TIMBER BASE	1
2		TIMBER DRAWER	1
3		SLIDE - INNER	2
4		SLIDE - MID.	2
5		SLIDE - OUTER	2



Rev	Date	Description

ALL DIMENSIONS IN (mm)
UNLESS OTHERWISE SPECIFIED
BREAK ALL SHARP EDGES

TOLERANCES
(BEFORE PAINTING
& AFTER PLATING)
X ± 1.00
X.X ± 0.50
X.XX ± 0.10
ANGLES ± 0.5°

A03- EXPLODED

CLIENT: RFA

PROJ. NO.: TBA

PART NO.: --

Revision --

Page 3

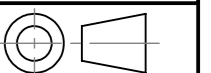
BASE BOX - TIMBER W/ DRAWER
W1200 x H485 x D450

PRODUCT CODE: **RFA0461**

Date: 25/01/2024

Drawn by PS

Checked by --



DO NOT SCALE

Scale@A3 1:10