



FINISH: WITH LIGHT GRAIN

**AP ASSOCIATED PROJECTS** COMMERCIAL BUILDERS,  
PROJECT MANAGERS,  
PLANNERS & DESIGNERS

T 03 8787 3000 F 03 8787 3025  
48-58 Cyber Loop, Dandenong South VIC 3175

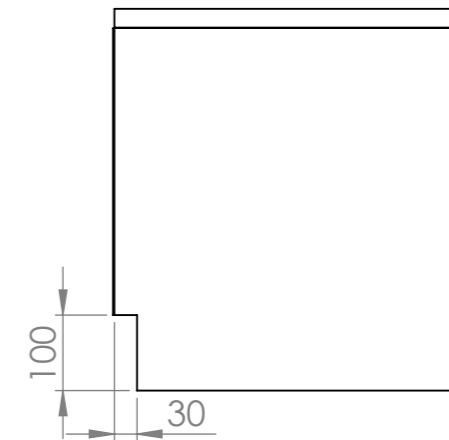
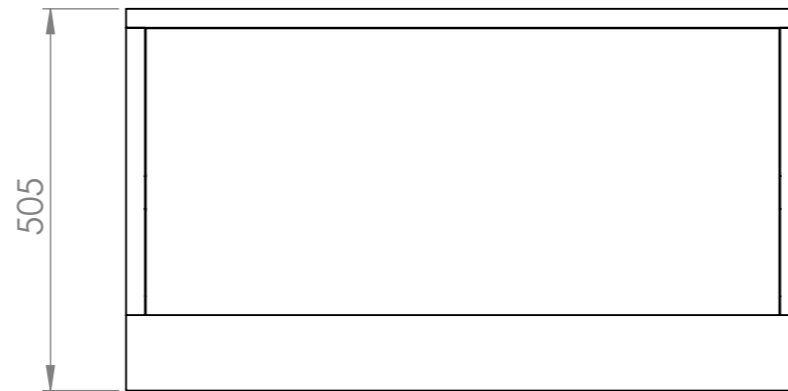
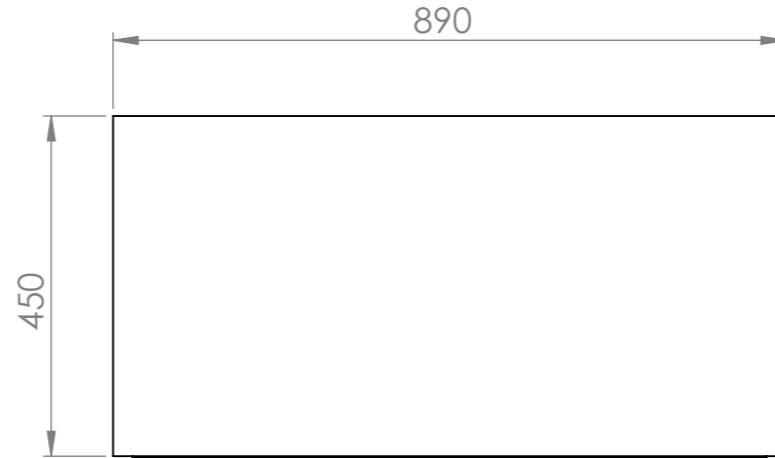
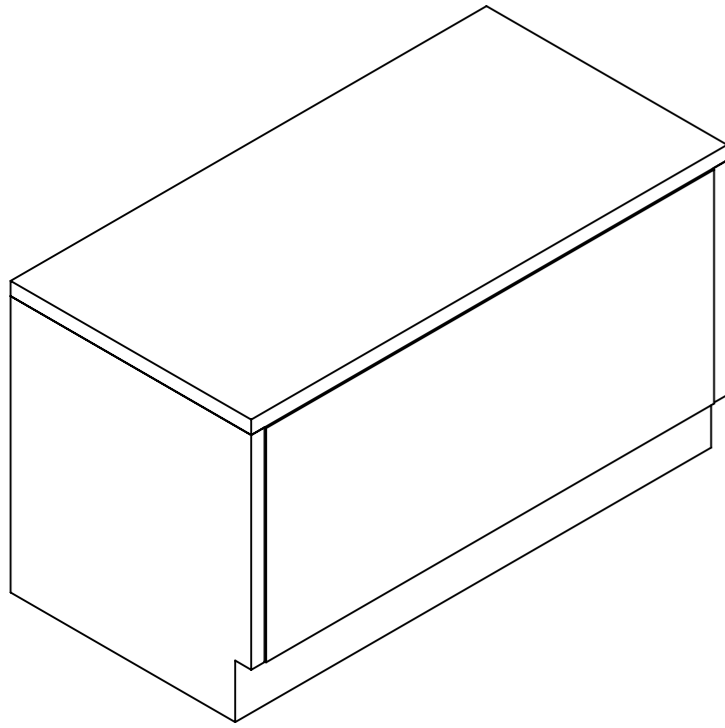
Rev	Date	Description

ALL DIMENSIONS IN (mm)  
UNLESS OTHERWISE SPECIFIED  
BREAK ALL SHARP EDGES

TOLERANCES  
(BEFORE PAINTING  
& AFTER PLATING)  
X ± 1.00  
X.X ± 0.50  
X.XX ± 0.10  
ANGLES ± 0.5°

A01- RENDER  
CLIENT: RFA  
PROJ. NO.: TBA  
PART NO.: --  
Revision --  
Page 1

BASE BOX - TIMBER W./ DRAWER W900 x H485 x D450		
PRODUCT CODE: <b>RFA0459</b>	Date: 24/01/2024	
Drawn by PS	Checked by --	DO NOT SCALE
		Scale@A3 1:10



Rev	Date	Description

ALL DIMENSIONS IN (mm)  
UNLESS OTHERWISE SPECIFIED  
BREAK ALL SHARP EDGES

TOLERANCES  
(BEFORE PAINTING  
& AFTER PLATING)  
X ± 1.00  
X.X ± 0.50  
X.XX ± 0.10  
ANGLES ± 0.5°

**A02- DIMENSIONS**

CLIENT: RFA  
PROJ. NO.: TBA  
PART NO.: --  
Revision --  
Page 2

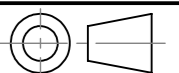
BASE BOX - TIMBER W./ DRAWER  
W900 x H485 x D450

PRODUCT CODE: **RFA0459**

Date: 24/01/2024

Drawn by PS

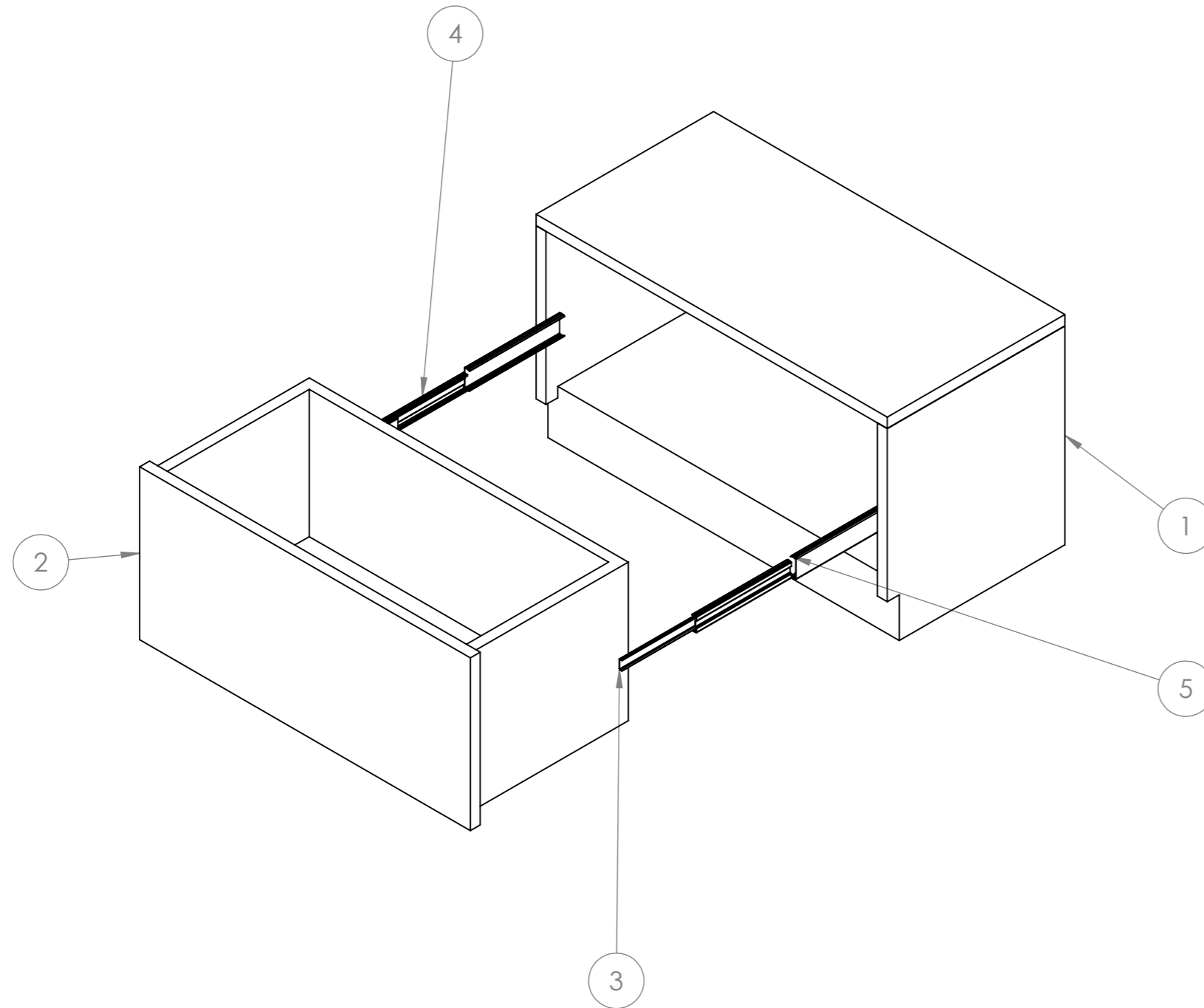
Checked by --



DO NOT SCALE

Scale@A3 1:10

ITEM NO.	PartNo	DESCRIPTION	QTY.
1		TIMBER BASE	1
2		TIMBER DRAWER	1
3		SLIDE - INNER	2
4		SLIDE - MID.	2
5		SLIDE - OUTER	2

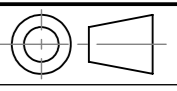


Rev	Date	Description

ALL DIMENSIONS IN (mm)  
UNLESS OTHERWISE SPECIFIED  
BREAK ALL SHARP EDGES

TOLERANCES  
(BEFORE PAINTING  
& AFTER PLATING)  
X ± 1.00  
X.X ± 0.50  
X.XX ± 0.10  
ANGLES ± 0.5°

**A03- EXPLODED**  
CLIENT: RFA  
PROJ. NO.: TBA  
PART NO.: --  
Revision --  
Page 3

BASE BOX - TIMBER W./ DRAWER W900 x H485 x D450		 DO NOT SCALE
PRODUCT CODE: <b>RFA0459</b>	Date: 24/01/2024	
Drawn by PS	Checked by --	Scale@A3 1:10