



FINISH: WITH LIGHT GRAIN

AP ASSOCIATED PROJECTS COMMERCIAL BUILDERS,
PROJECT MANAGERS,
PLANNERS & DESIGNERS

T 03 8787 3000 F 03 8787 3025
48-58 Cyber Loop, Dandenong South VIC 3175

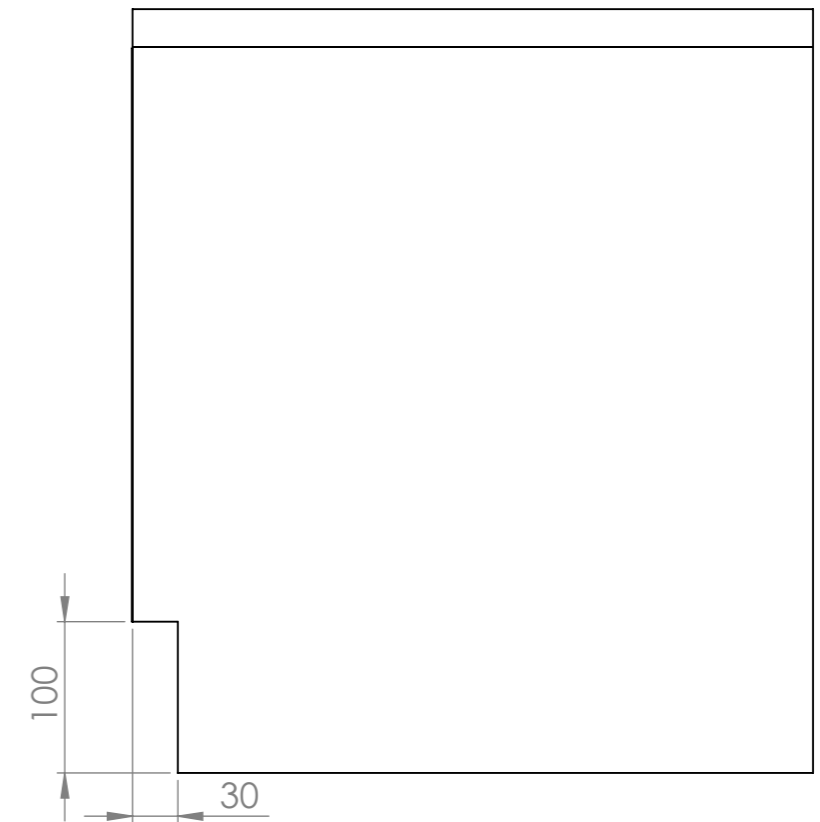
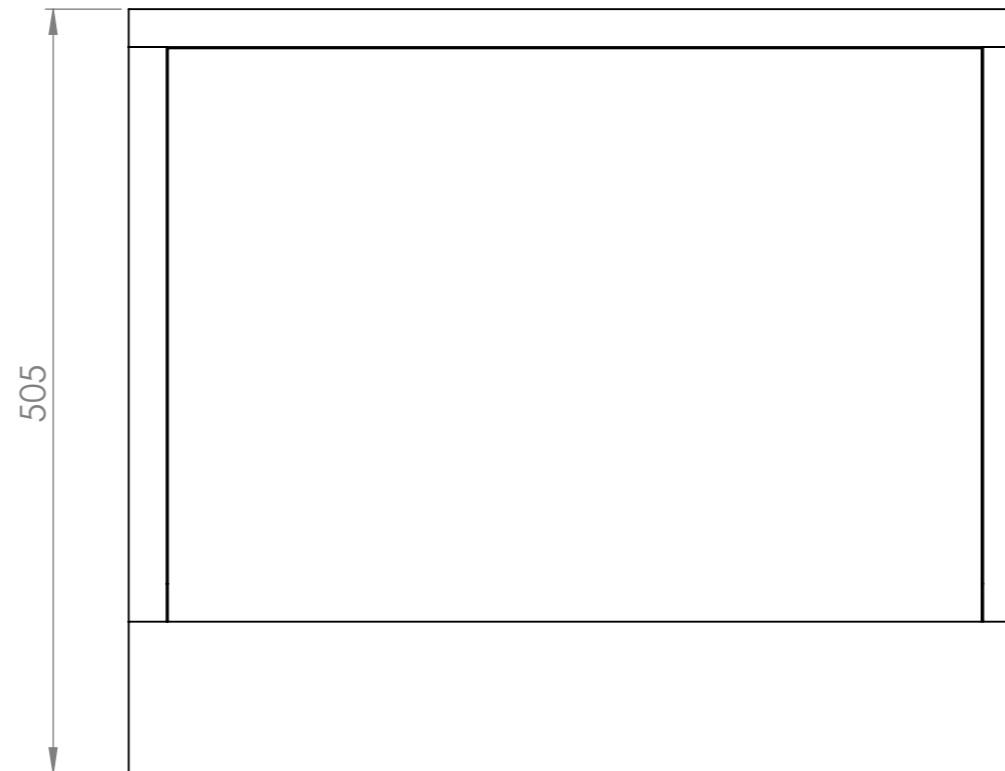
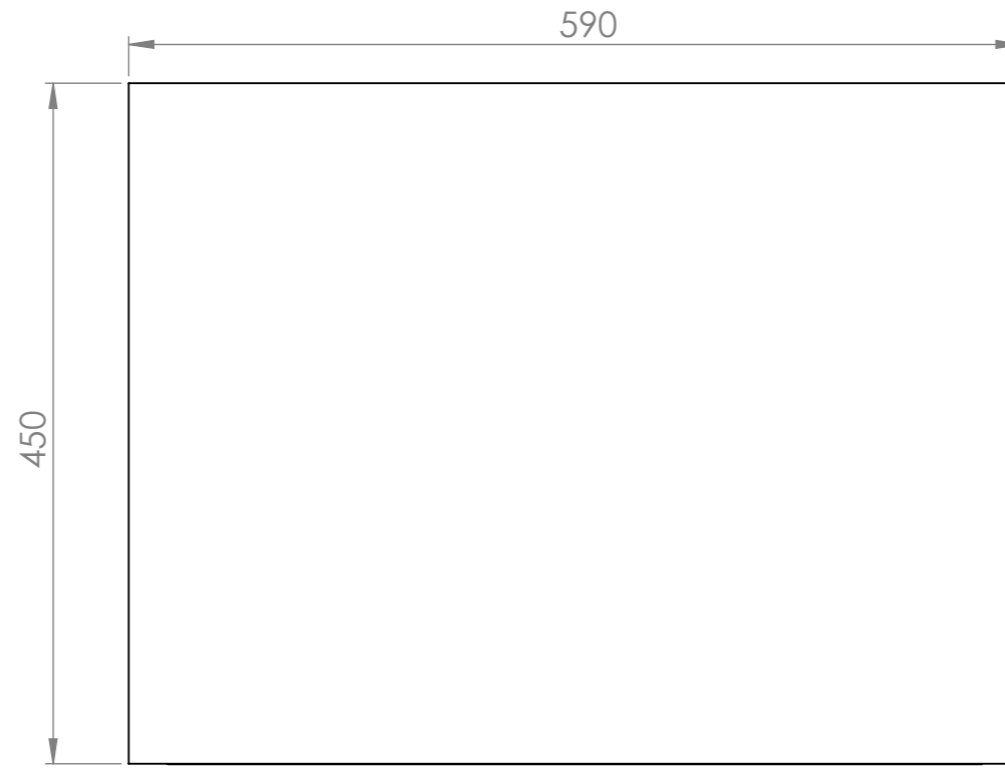
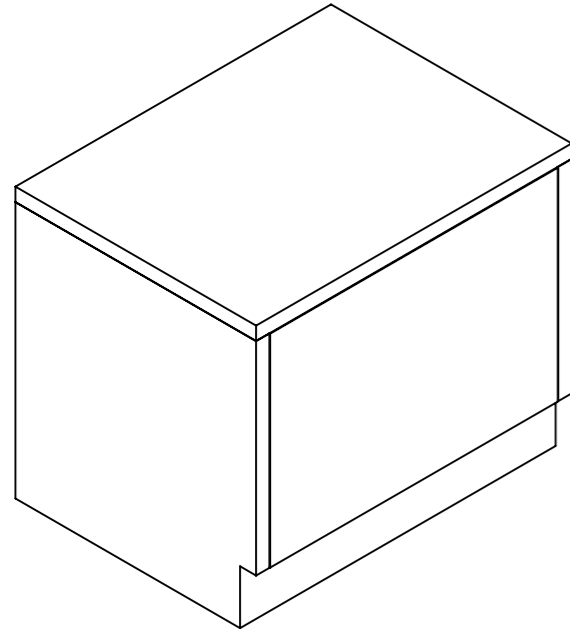
Rev	Date	Description

ALL DIMENSIONS IN (mm)
UNLESS OTHERWISE SPECIFIED
BREAK ALL SHARP EDGES

TOLERANCES
(BEFORE PAINTING
& AFTER PLATING)
X ± 1.00
X.X ± 0.50
X.XX ± 0.10
ANGLES ± 0.5°

A01- RENDER
CLIENT: RFA
PROJ. NO.: TBA
PART NO.: --
Revision --
Page 1

BASE BOX - TIMBER - W./ DRAWER		
W600 x H485 x D450		
-		
PRODUCT CODE: RFA0457		
Date:	24/01/2024	
Drawn by	PS	
Checked by	--	DO NOT SCALE
		Scale@A3 1:10



Rev	Date	Description

ALL DIMENSIONS IN (mm)
UNLESS OTHERWISE SPECIFIED
BREAK ALL SHARP EDGES

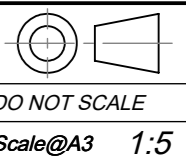
TOLERANCES
(BEFORE PAINTING
& AFTER PLATING)
X ± 1.00
X.X ± 0.50
X.XX ± 0.10
ANGLES ± 0.5°

A02- DIMENSIONS
CLIENT: RFA
PROJ. NO.: TBA
PART NO.: --
Revision --
Page 2

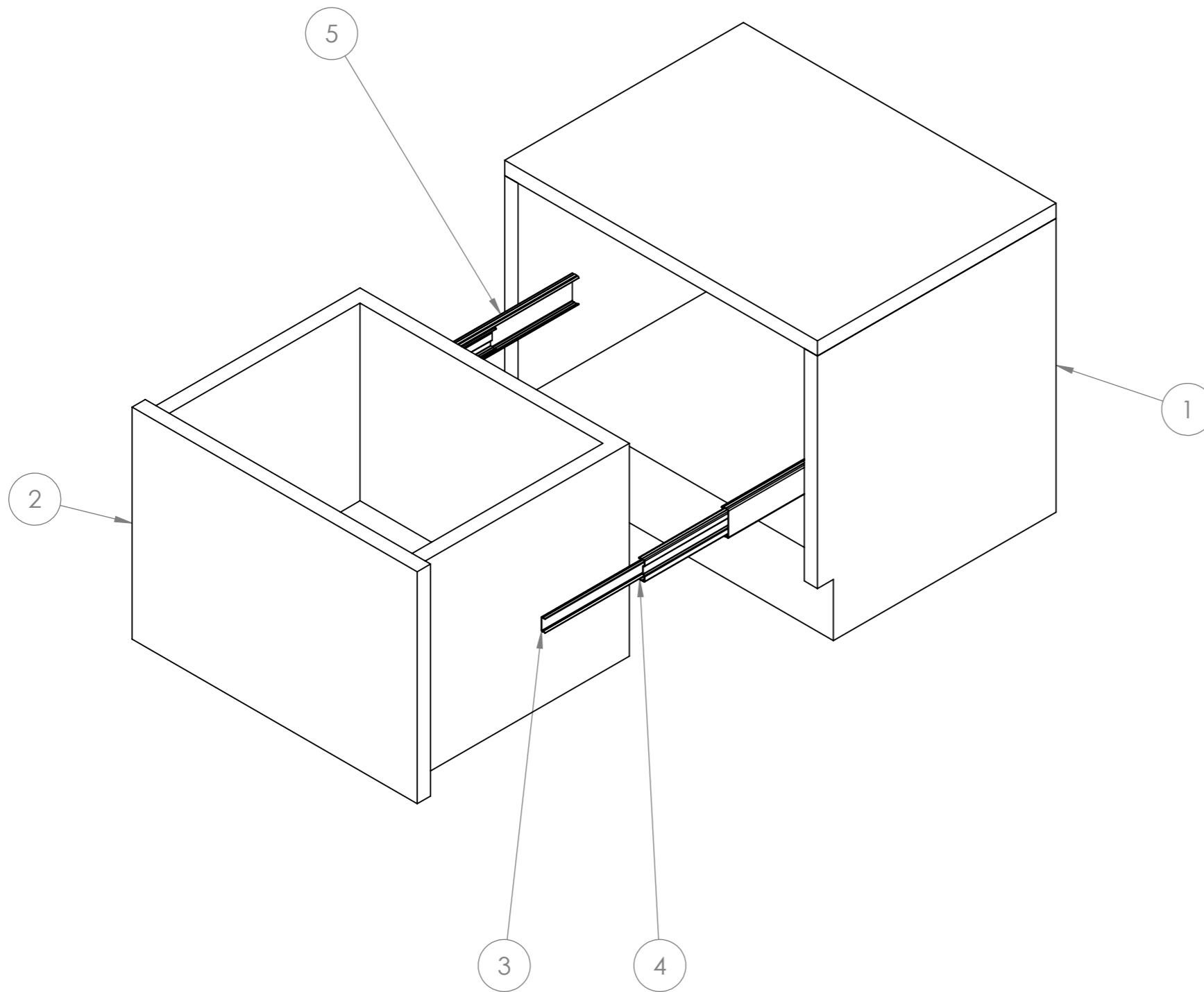
BASE BOX - TIMBER - W./ DRAWER
W600 x H485 x D450
-

PRODUCT CODE: **RFA0457**

Date: 24/01/2024
Drawn by PS
Checked by --



ITEM NO.	PartNo	DESCRIPTION	QTY.
1		TIMBER BASE	1
2		TIMBER DRAWER	1
3		SLIDE - INNER	2
4		SLIDE - MID.	2
5		SLIDE - OUTER	2



Rev	Date	Description

ALL DIMENSIONS IN (mm)
UNLESS OTHERWISE SPECIFIED
BREAK ALL SHARP EDGES

TOLERANCES
(BEFORE PAINTING
& AFTER PLATING)
X ± 1.00
X.X ± 0.50
X.XX ± 0.10
ANGLES ± 0.5°

A03- EXPLODED

CLIENT: RFA
PROJ. NO.: TBA
PART NO.: --
Revision --
Page 3

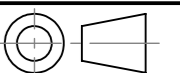
BASE BOX - TIMBER W./ DRAWER
W600 x H485 x D450

PRODUCT CODE: **RFA0457**

Date: 24/01/2024

Drawn by PS

Checked by --



DO NOT SCALE

Scale@A3 1:5