

T 03 8787 3000 F 03 8787 3025
 48-58 Cyber Loop, Dandenong South
 VIC 3175 (AUSTRALIA)

© COPYRIGHT. This drawing is the exclusive property of Associated Projects Pty Ltd. It is subject to protection and is strictly confidential. Reproduction in whole or in part is prohibited without obtaining prior permission in writing from the proprietor.

Rev	Date	Description

ALL DIMENSIONS IN (mm)
 UNLESS OTHERWISE SPECIFIED
 BREAK ALL SHARP EDGES

TOLERANCES
 (BEFORE PAINTING
 & AFTER PLATING)
 X ± 1.00
 X.X ± 0.50
 X.XX ± 0.10
 ANGLES ± 0.5°

A01- RENDER
 CLIENT: RFA
 PROJ. NO.: TBA
 FINISH: MATTE BLACK
 MAT'L: MILD STEEL
 Page 1

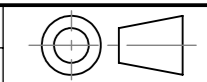
STRAIGHT ARMS - D400 - FOR HANG RAIL

PRODUCT CODE: **RFA0435**

Date: 28/06/2024

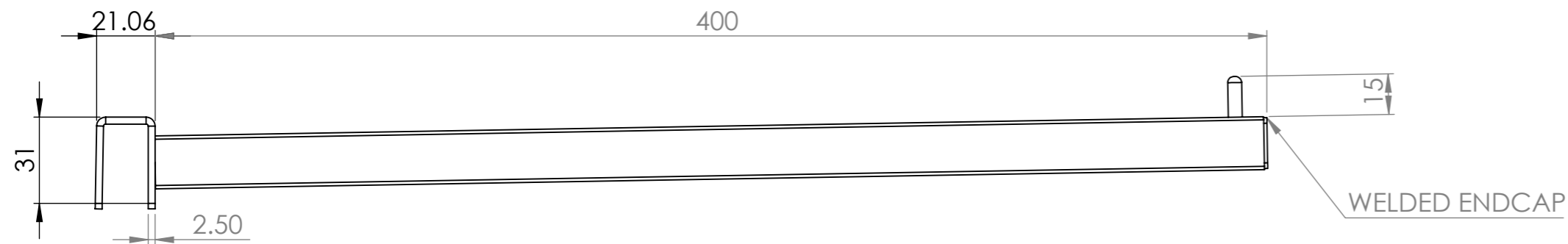
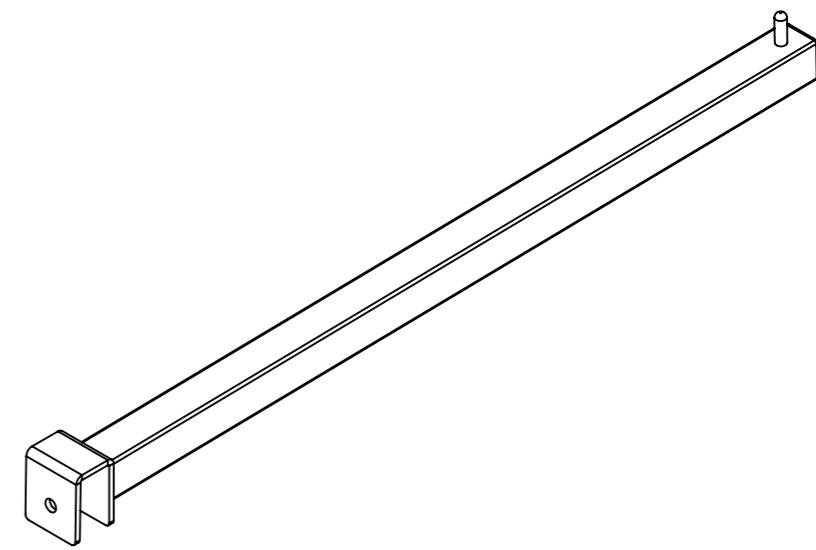
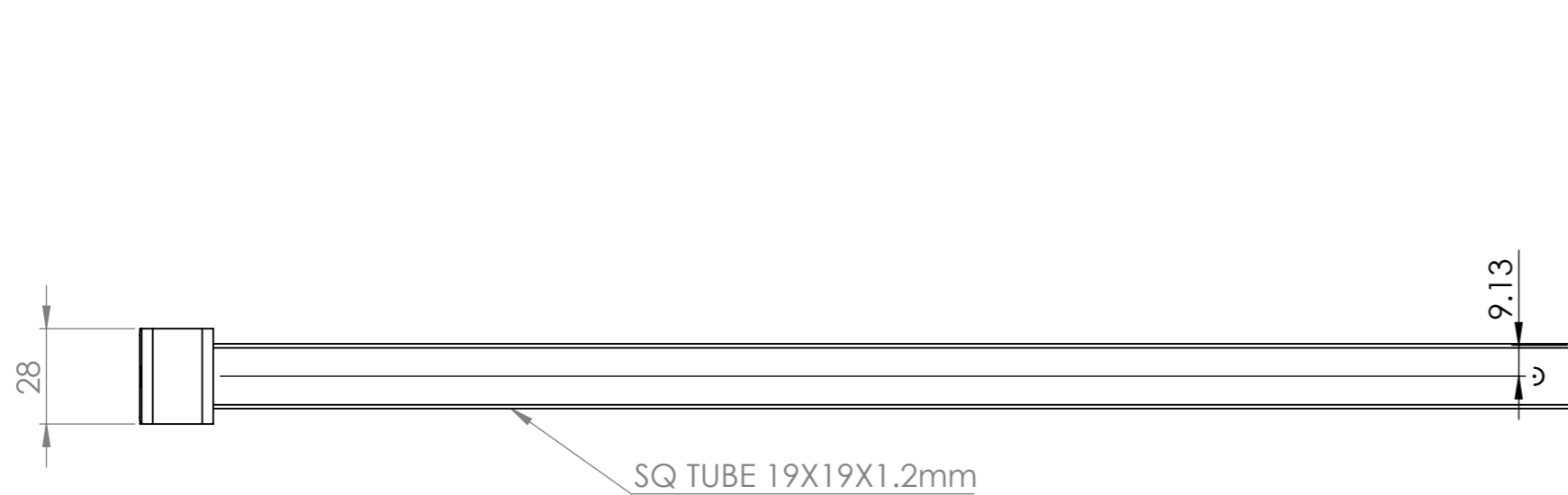
Drawn by DH

Checked by NP



DO NOT SCALE

Scale@A3 1:5



T 03 8787 3000 F 03 8787 3025
48-58 Cyber Loop, Dandenong South
VIC 3175 (AUSTRALIA)

© COPYRIGHT. This drawing is the exclusive property of Associated Projects Pty Ltd. It is subject to protection and is strictly confidential. Reproduction in whole or in part is prohibited without obtaining prior permission in writing from the proprietor.

Rev	Date	Description

ALL DIMENSIONS IN (mm)
UNLESS OTHERWISE SPECIFIED
BREAK ALL SHARP EDGES

TOLERANCES
(BEFORE PAINTING
& AFTER PLATING)
X ± 1.00
X.X ± 0.50
X.XX ± 0.10
ANGLES ± 0.5°

A02- CLIENT
CLIENT: RFA
PROJ. NO.: TBA
FINISH: MATTE BLACK
MAT'L: MILD STEEL
Page 2

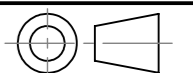
STRAIGHT ARMS - D400 - FOR HANG RAIL

PRODUCT CODE: **RFA0435**

Date: 28/06/2024

Drawn by DH

Checked by NP



DO NOT SCALE

Scale@A3 1:2