



FINISH: P/C MATTE BLACK

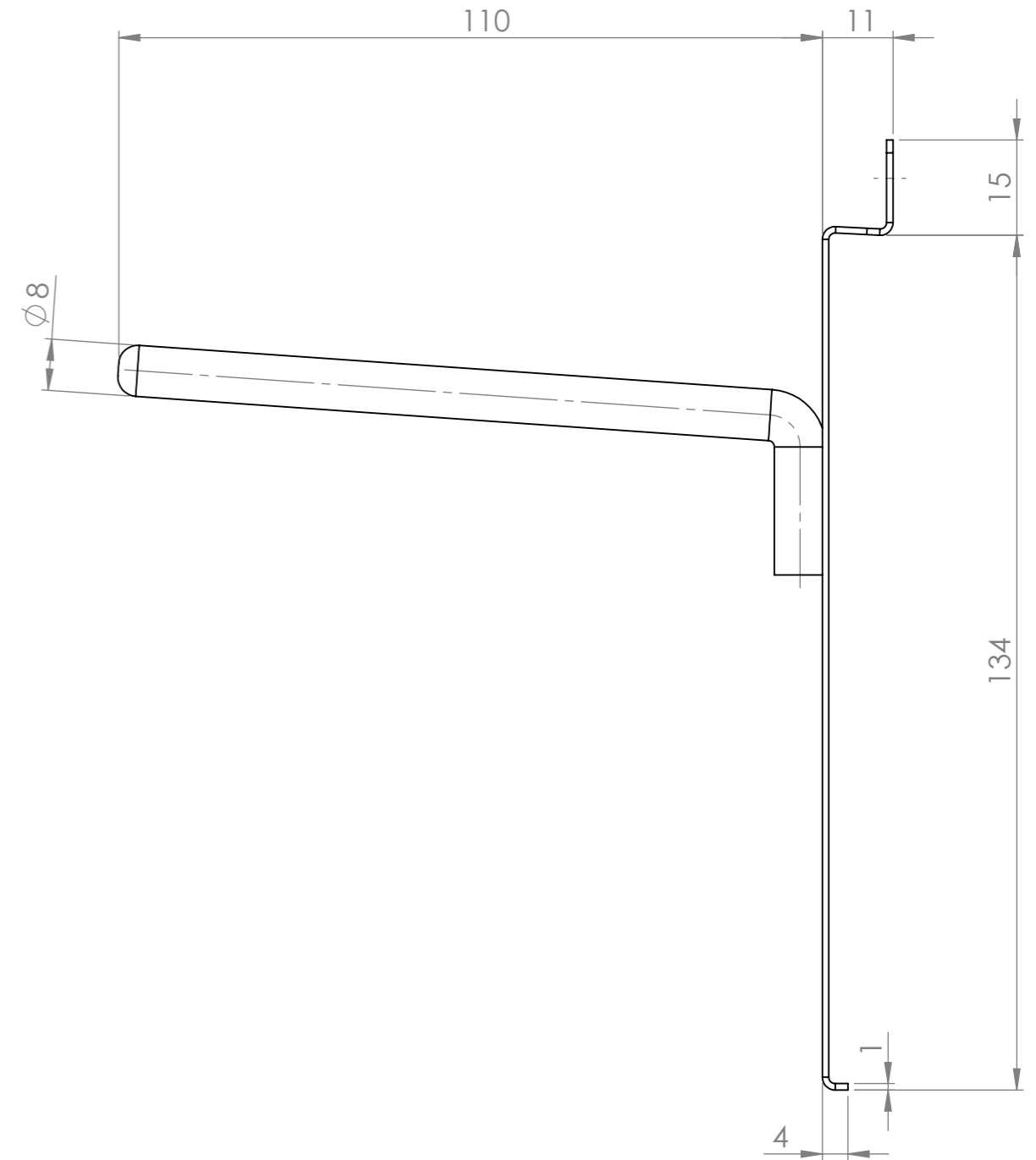
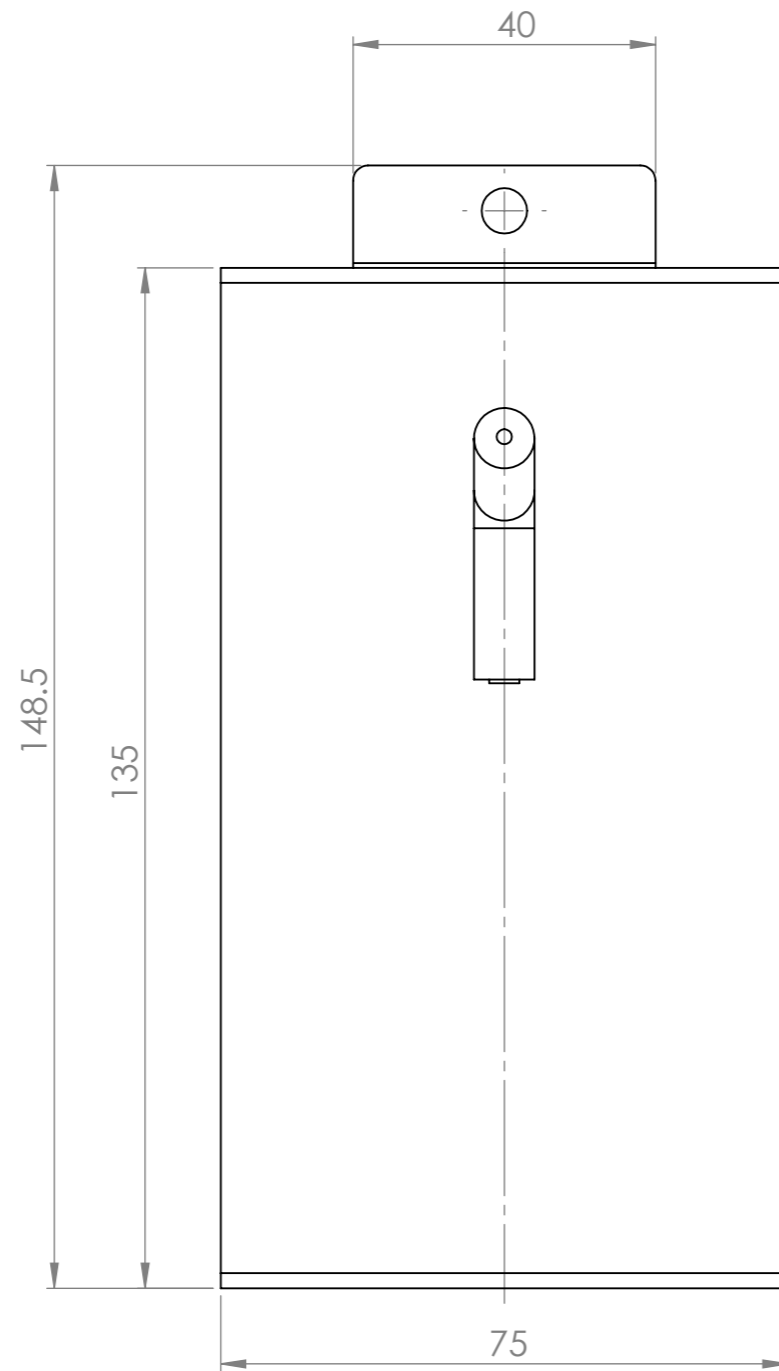
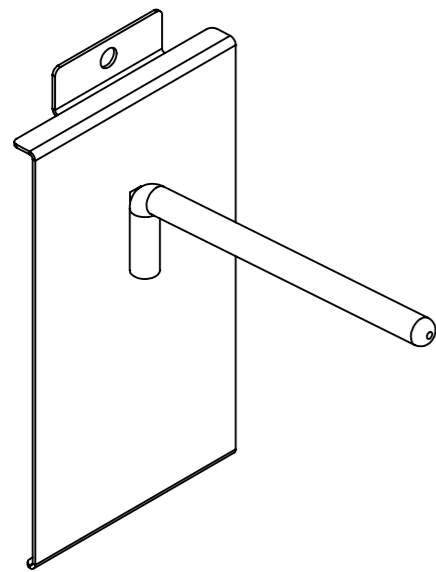
Rev	Date	Description

ALL DIMENSIONS IN (mm)
UNLESS OTHERWISE SPECIFIED
BREAK ALL SHARP EDGES

TOLERANCES
(BEFORE PAINTING
& AFTER PLATING)
X ± 1.00
X.X ± 0.50
X.XX ± 0.10
ANGLES ± 0.5°

A01- RENDER
CLIENT: RFA
PROJ. NO.: TBA
PART NO.: --
Revision --
Page 1

HOOK - SLAT WALL - SINGLE PRONG HOOK D110 -	
PRODUCT CODE: RFA0262	
Date: 28/06/2024	DO NOT SCALE
Drawn by PS	Checked by --
Scale@A3 1:2	



Rev	Date	Description

ALL DIMENSIONS IN (mm)
UNLESS OTHERWISE SPECIFIED
BREAK ALL SHARP EDGES

TOLERANCES
(BEFORE PAINTING
& AFTER PLATING)
X ± 1.00
X.X ± 0.50
X.XX ± 0.10
ANGLES ± 0.5°

A02- DIMENSIONS
CLIENT: RFA
PROJ. NO.: TBA
PART NO.: --
Revision --
Page 2

HOOK - SLAT WALL - SINGLE PRONG HOOK		
D110		
PRODUCT CODE: RFA0262		DO NOT SCALE
Date:	28/06/2024	
Drawn by	PS	
Checked by	--	Scale@A3 1:1