

FINISH: CHROME PLATED

AP ASSOCIATED PROJECTS COMMERCIAL BUILDERS,
PROJECT MANAGERS,
PLANNERS & DESIGNERS

T 03 8787 3000 F 03 8787 3025
48-58 Cyber Loop, Dandenong South VIC 3175

Rev	Date	Description

ALL DIMENSIONS IN (mm)
UNLESS OTHERWISE SPECIFIED
BREAK ALL SHARP EDGES

TOLERANCES
(BEFORE PAINTING
& AFTER PLATING)
X ± 1.00
X.X ± 0.50
X.XX ± 0.10
ANGLES ± 0.5°

A01- RENDER

CLIENT: RFA

PROJ. NO.: TBA

PART NO.: --

Revision --

Page 1

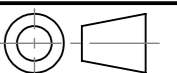
HOOK - DOUBLE PRONG - D225 FOR SLAT WALL
PANEL - W./ FLIP SCAN - KIT

PRODUCT CODE: **RFA0148**

Date: 2/07/2024

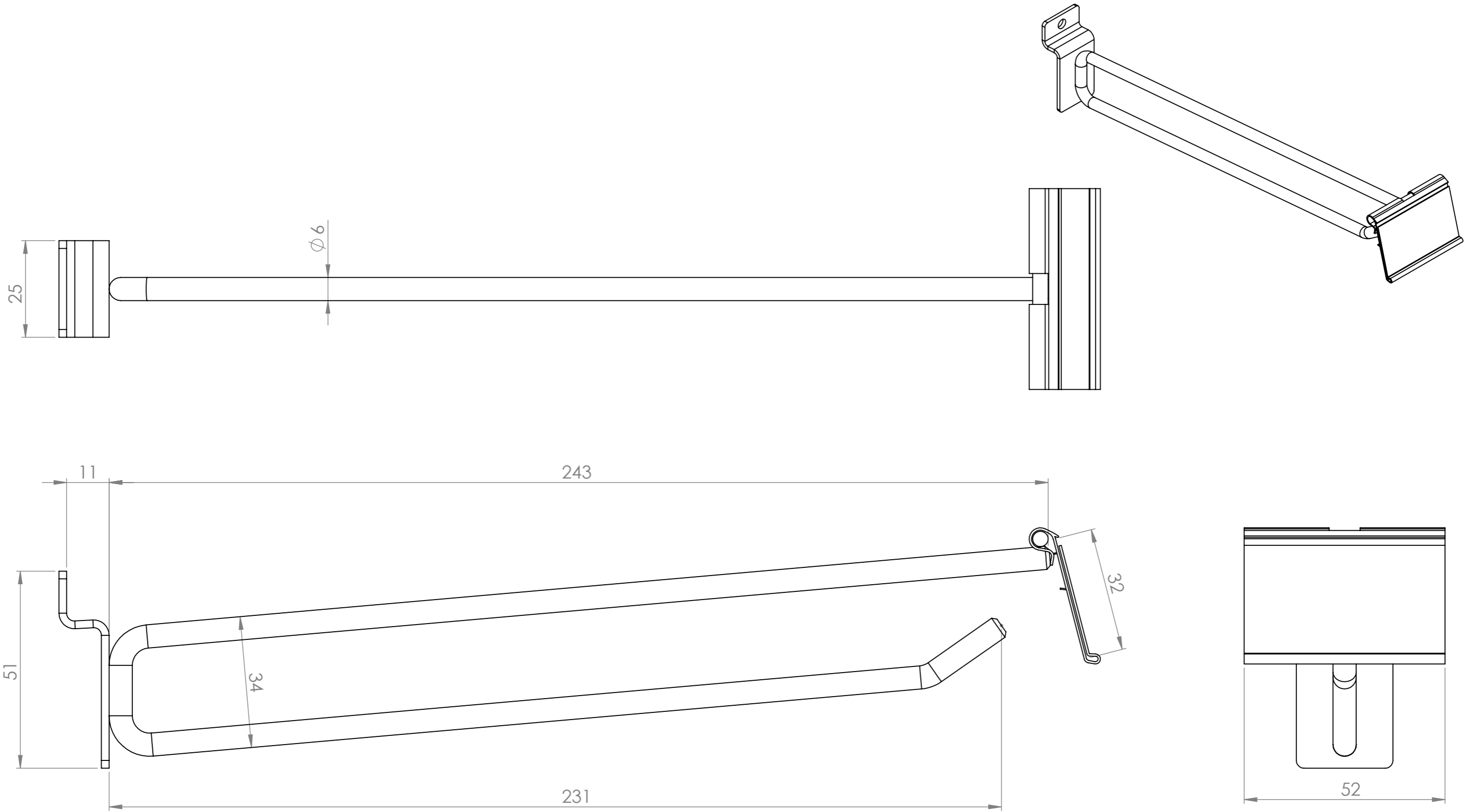
Drawn by PS

Checked by --



DO NOT SCALE

Scale@A3 1:5



Rev	Date	Description

ALL DIMENSIONS IN (mm)
UNLESS OTHERWISE SPECIFIED
BREAK ALL SHARP EDGES

TOLERANCES
(BEFORE PAINTING
& AFTER PLATING)
X ± 1.00
X.X ± 0.50
X.XX ± 0.10
ANGLES ± 0.5°

A02- DIMENSIONS
CLIENT: RFA
PROJ. NO.: TBA
PART NO.: --
Revision --
Page 2

HOOK - DOUBLE PRONG - D225 FOR SLAT WALL PANEL W./ FLIP SCAN - KIT		
-		
PRODUCT CODE: RFA0148	Date: 2/07/2024	
Drawn by PS	Checked by --	
Scale@A3 1:1		