

FINISH: P/C MATTE BLACK

AP ASSOCIATED PROJECTS COMMERCIAL BUILDERS,
PROJECT MANAGERS,
PLANNERS & DESIGNERS

T 03 8787 3000 F 03 8787 3025
48-58 Cyber Loop, Dandenong South VIC 3175

Rev	Date	Description

ALL DIMENSIONS IN (mm)
UNLESS OTHERWISE SPECIFIED
BREAK ALL SHARP EDGES

TOLERANCES
(BEFORE PAINTING
& AFTER PLATING)
X ± 1.00
X.X ± 0.50
X.XX ± 0.10
ANGLES ± 0.5°

A01- RENDER

CLIENT: RFA

PROJ. NO.: TBA

PART NO.: --

Revision --

Page 1

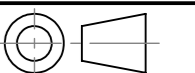
HOOK - DOUBLE PRONG - D150 - FOR SLAT WALL
PANEL - W./ FLIP SCAN - KIT

PRODUCT CODE: **RFA0147**

Date: 2/07/2024

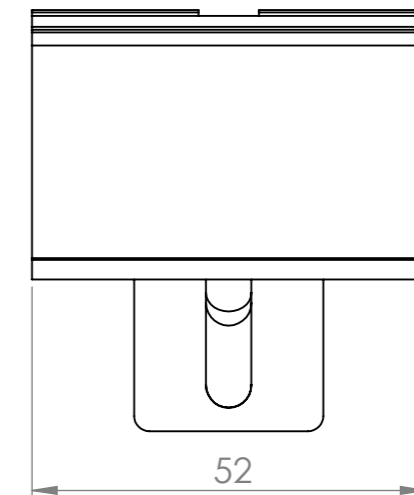
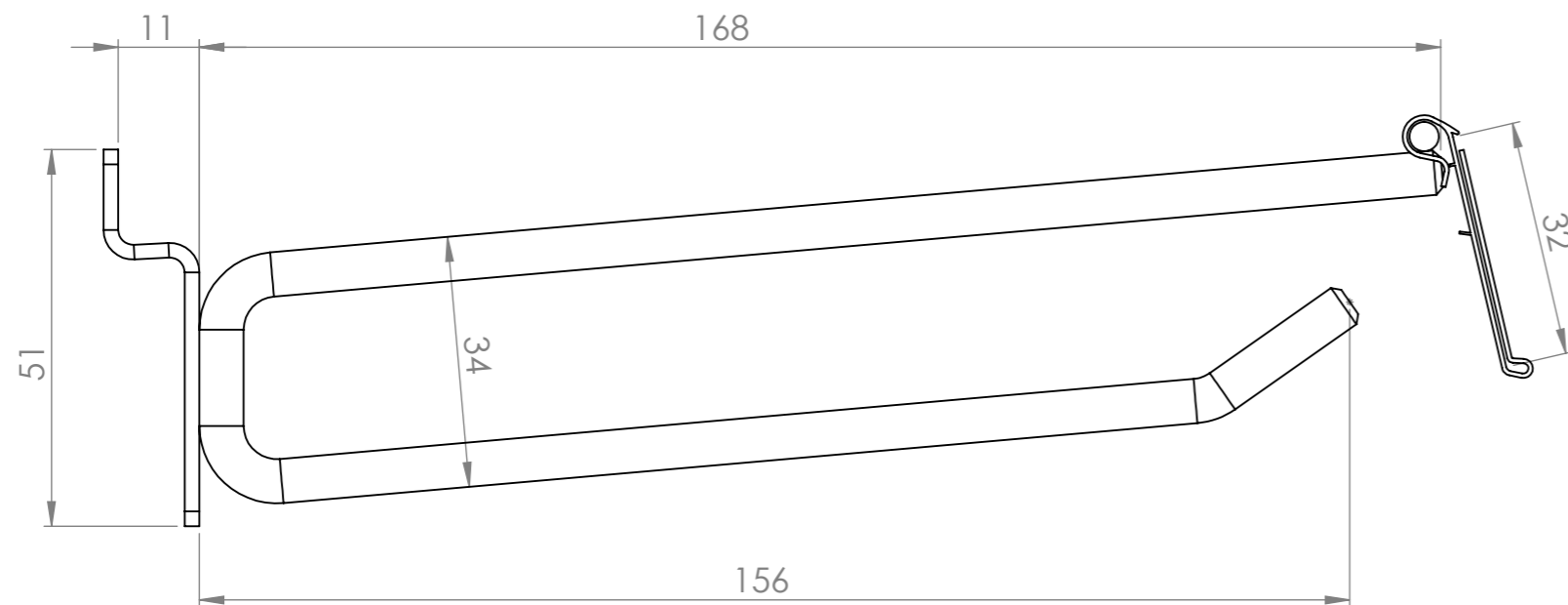
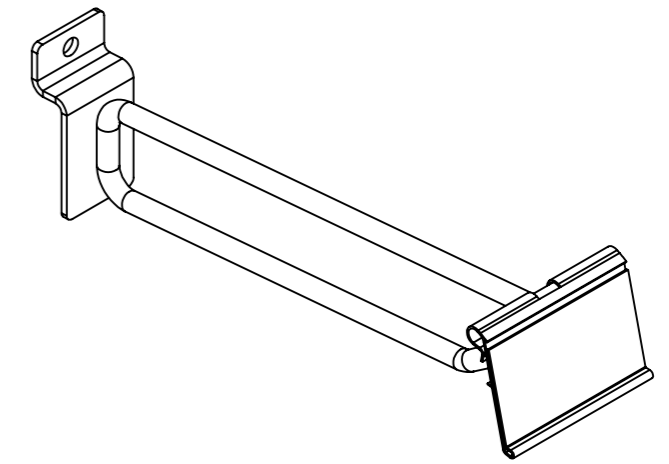
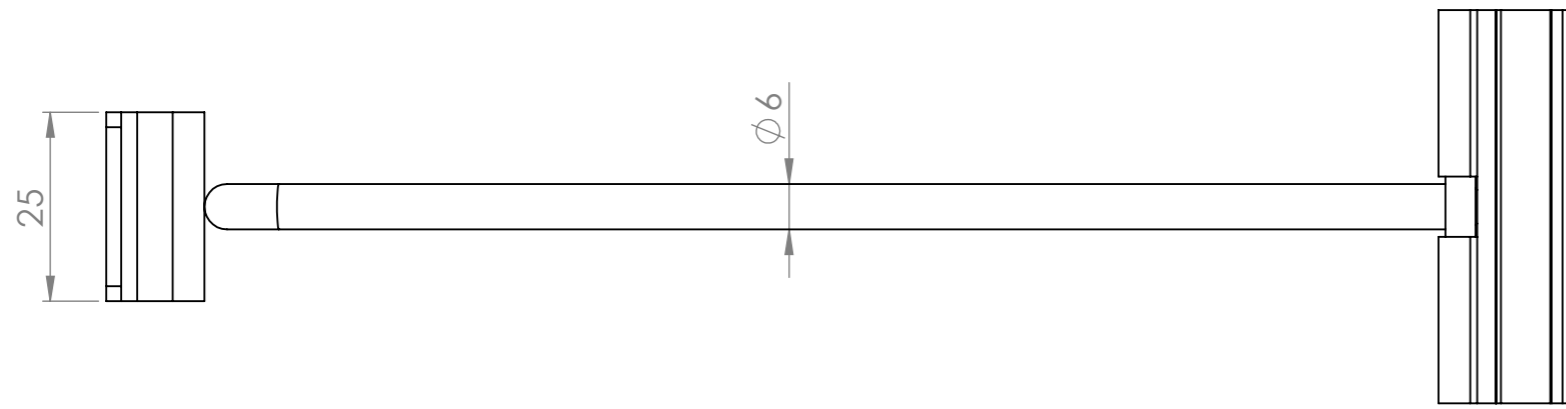
Drawn by PS

Checked by --



DO NOT SCALE

Scale@A3 1:2

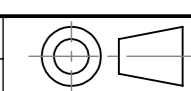


Rev	Date	Description

ALL DIMENSIONS IN (mm)
UNLESS OTHERWISE SPECIFIED
BREAK ALL SHARP EDGES

TOLERANCES
(BEFORE PAINTING
& AFTER PLATING)
X ± 1.00
X.X ± 0.50
X.XX ± 0.10
ANGLES ± 0.5°

A02- DIMENSIONS
CLIENT: RFA
PROJ. NO.: TBA
PART NO.: --
Revision --
Page 2

HOOK - DOUBLE PRONG - D150 FOR SLAT WALL PANEL - W./ FLIP SCAN - KIT		 DO NOT SCALE
PRODUCT CODE: RFA0147	Date: 2/07/2024	
Drawn by PS	Checked by --	Scale@A3 1:1